

# MİMARİ KATALOG

## ARCHITECTURAL CATALOGUE

Aluminyum Kapı Pencere ve Giydirme Cephe Sistemleri  
Aluminium Window Doors and Facade Systems



Rescara Sistem  
Profil Detayları

Rescara System  
Profile Details



# R073

# RESCARA SİSTEM

## RESCARA SYSTEM

Aluminyum Kapı Pencere ve Giydirme Cephe Sistemleri  
Aluminium Window Doors and Facade Systems

11



12

13

14

15

16

17

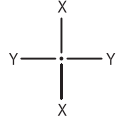
18

19

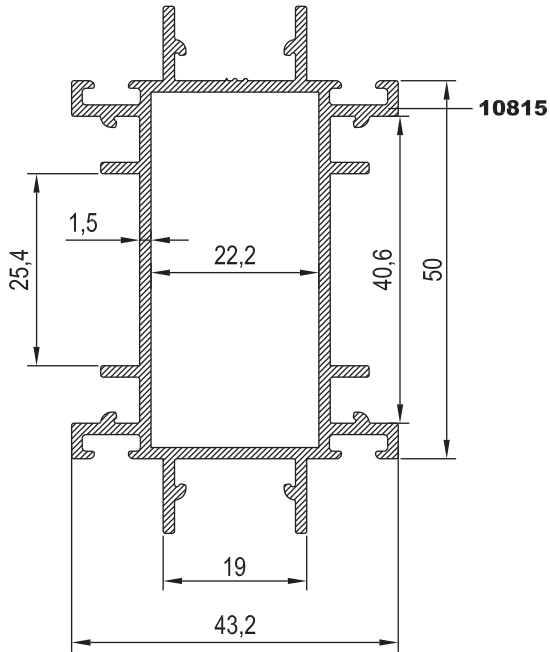
20



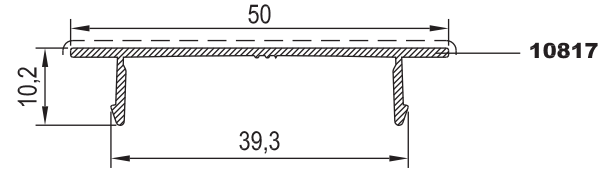
| KOD / CODE | AĞIRLIK (kg/m) / WEIGHT | Jxx cm <sup>4</sup> | Jyy cm <sup>4</sup> | L m |
|------------|-------------------------|---------------------|---------------------|-----|
| RO F 01    | 1,108                   | 6,599               | 18,194              | 6   |
| RO A 01    | 0,208                   | ---                 | ---                 | 6   |
| RO A 02    | 0,271                   | ---                 | ---                 | 6   |
| RO A 03    | 0,234                   | ---                 | ---                 | 6   |
| RO A 05    | 1,214                   | ---                 | ---                 | 6   |



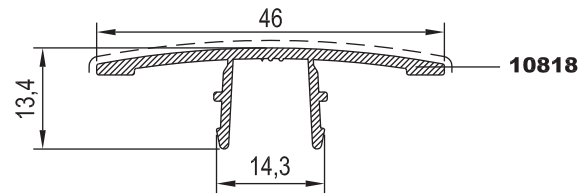
RO F 01



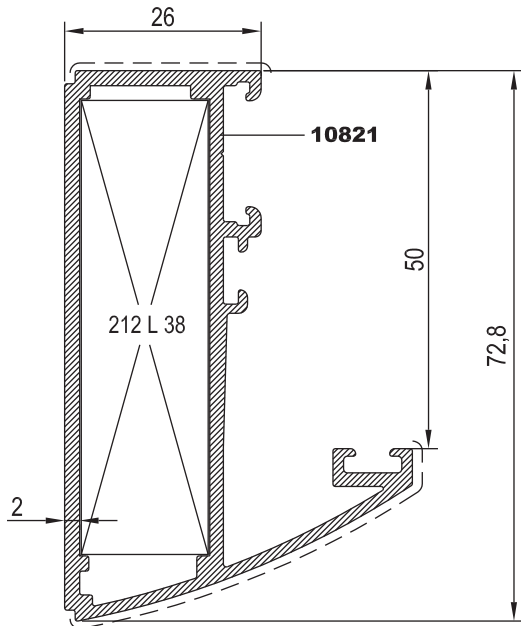
RO A 01



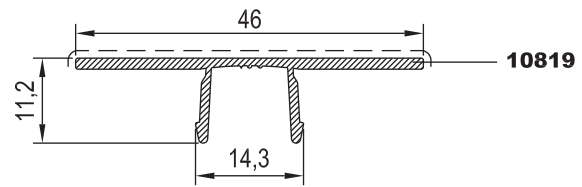
RO A 02



RO A 05



RO A 03



Nr

KESİM ÖLÇÜSÜ  
CUTTING SIZEAKS. KODU  
ACS. CODE

|         |       |                |         |          |
|---------|-------|----------------|---------|----------|
| RO A 05 | 10821 | 25 L 38 (2074) | 59,8 mm | 212 L 38 |
|---------|-------|----------------|---------|----------|

11

12

13

14

15

16

17

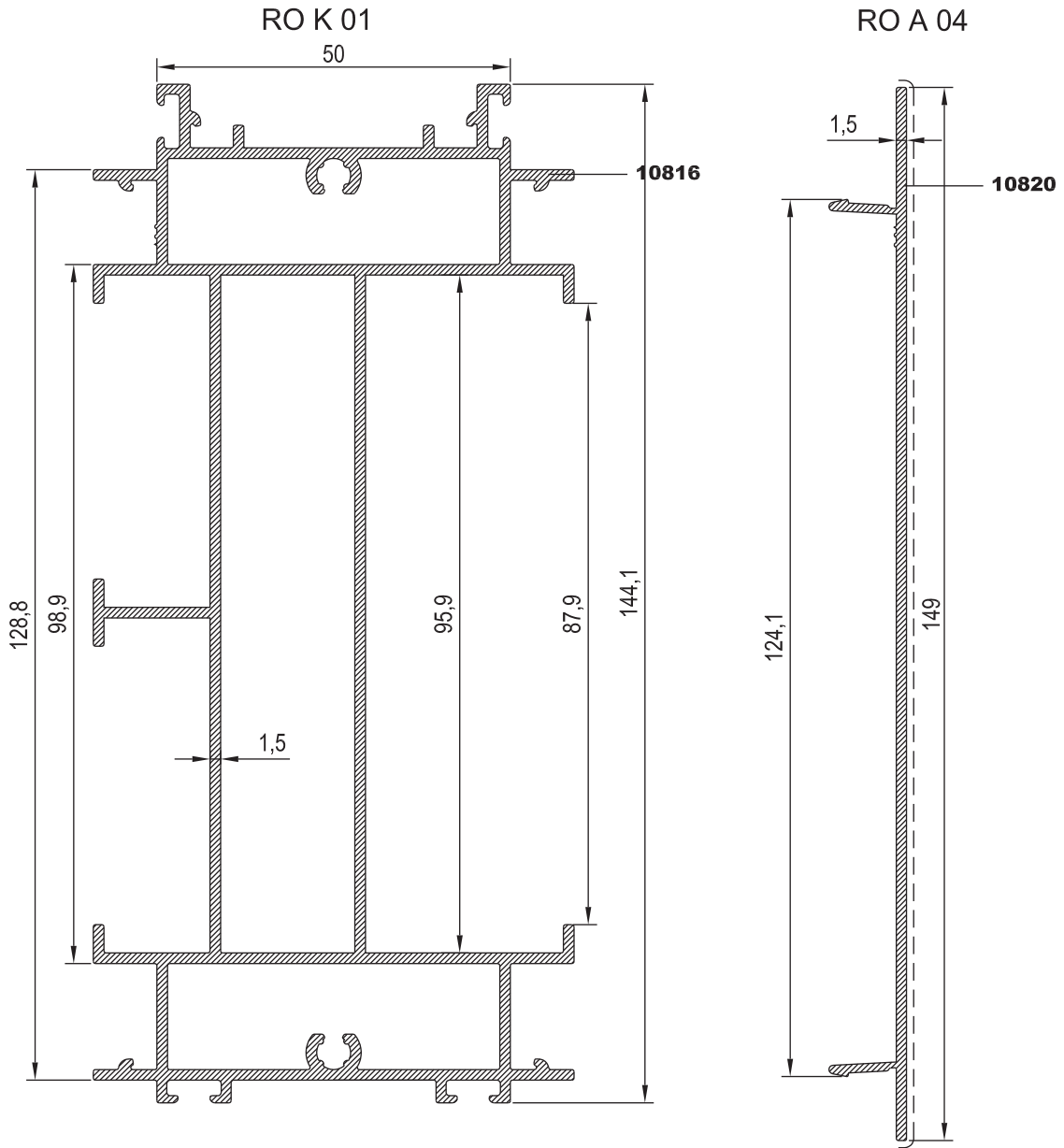
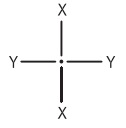
18

19

20



| KOD / CODE | AĞIRLIK (kg/m) / WEIGHT | Jxx cm4 | Jyy cm4 | L m |
|------------|-------------------------|---------|---------|-----|
| RO K 01    | 2,638                   | ---     | ---     | 6   |
| RO A 04    | 0,208                   | ---     | ---     | 6   |





## TAKOZLAR (CLEATS)

|                             |            |  |  |  |
|-----------------------------|------------|--|--|--|
| PROFİL KODU (PROFILE CODE)  | 25 L 38    |  |  |  |
| FABRİKA KODU (FACTORY CODE) | 2074       |  |  |  |
| AĞIRLIK (WEIGHT)            | 4,854 kg/m |  |  |  |
| ÇİZİM (DRAWING)             |            |  |  |  |

## KÖŞE TAKOZLARI (CORNER CLEATS)

| Nr      |       | L m            | KESİM ÖLÇÜSÜ<br>CUTTING SIZE | AKS. KODU<br>ACS. CODE |
|---------|-------|----------------|------------------------------|------------------------|
| RO A 05 | 10821 | 25 L 38 (2074) | 59,8 mm                      | 212 L 38               |

11

12

13

14

15

16

17

18

19

20



11

12

13

14

15

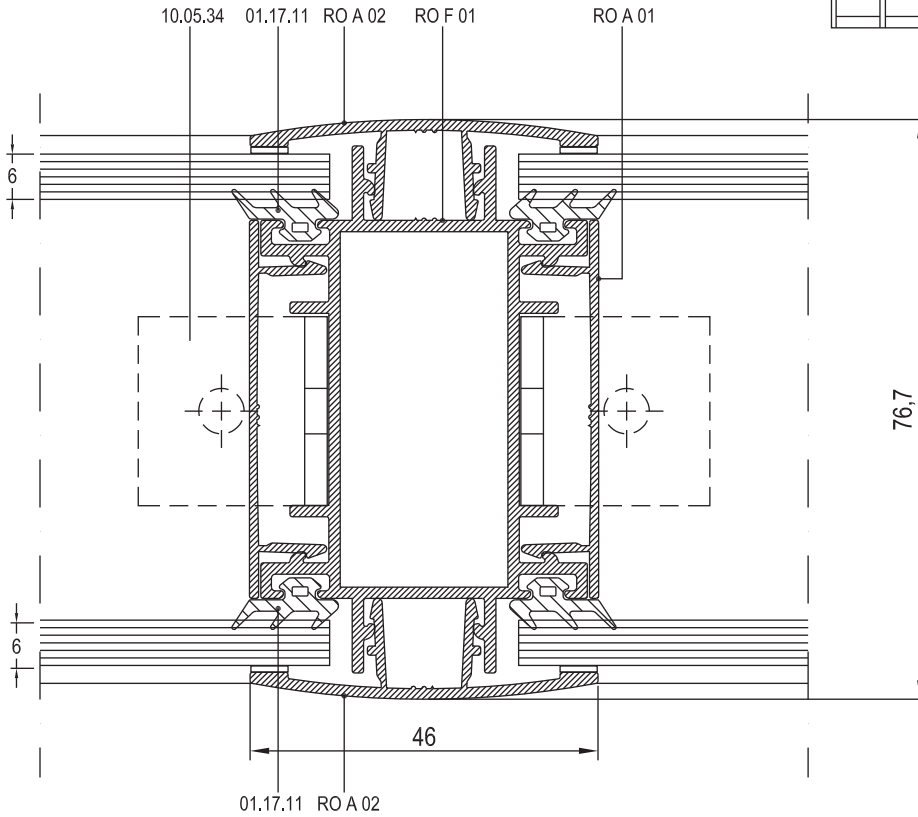
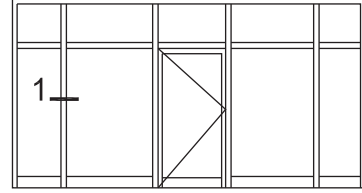
16

17

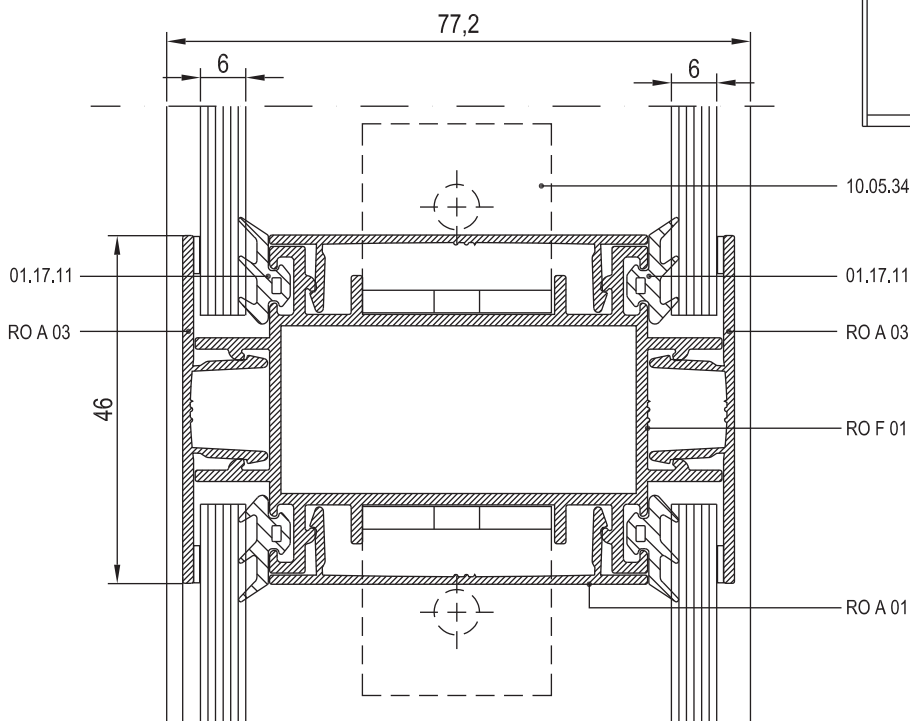
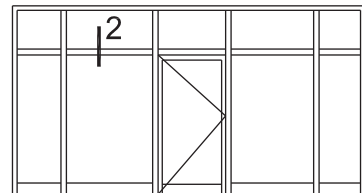
18

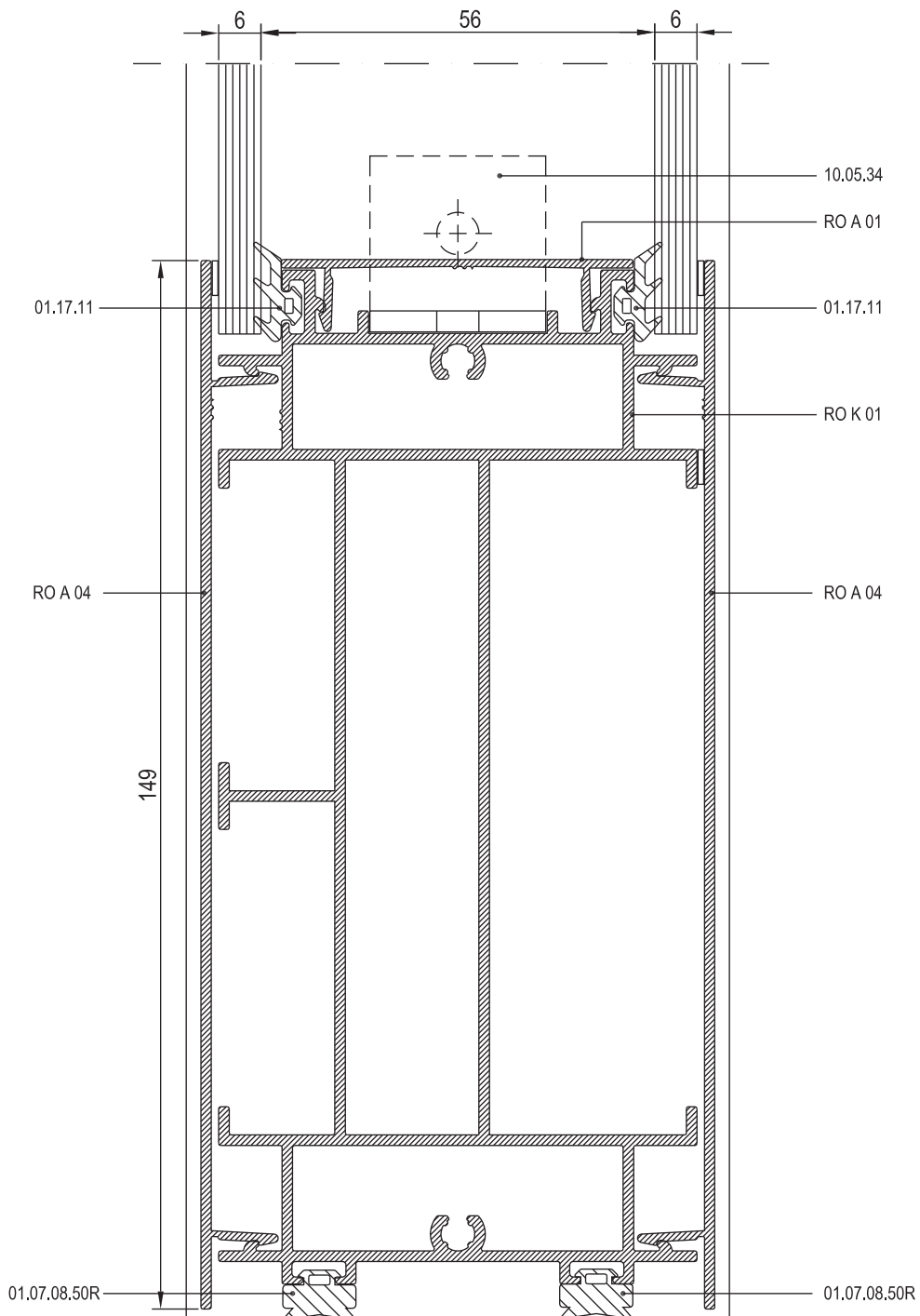
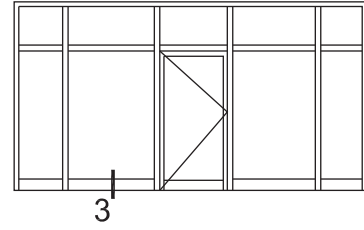
19

20



01.17.11 RO A 02





11

12

13

14

15

16

17

18

19

20



11

12

13

14

15

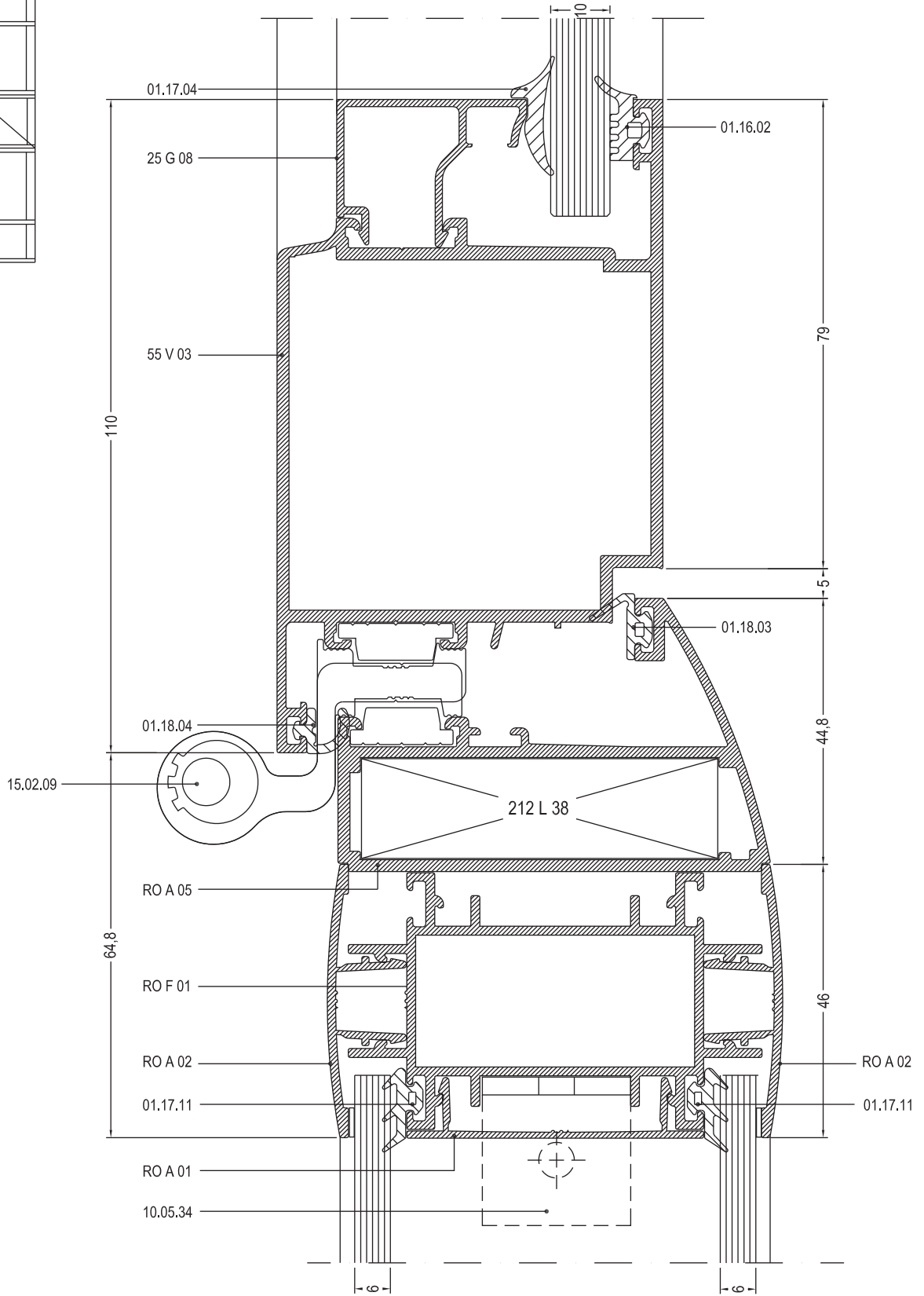
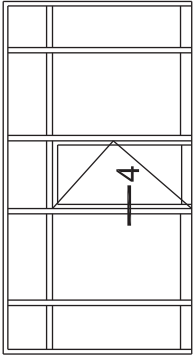
16

17

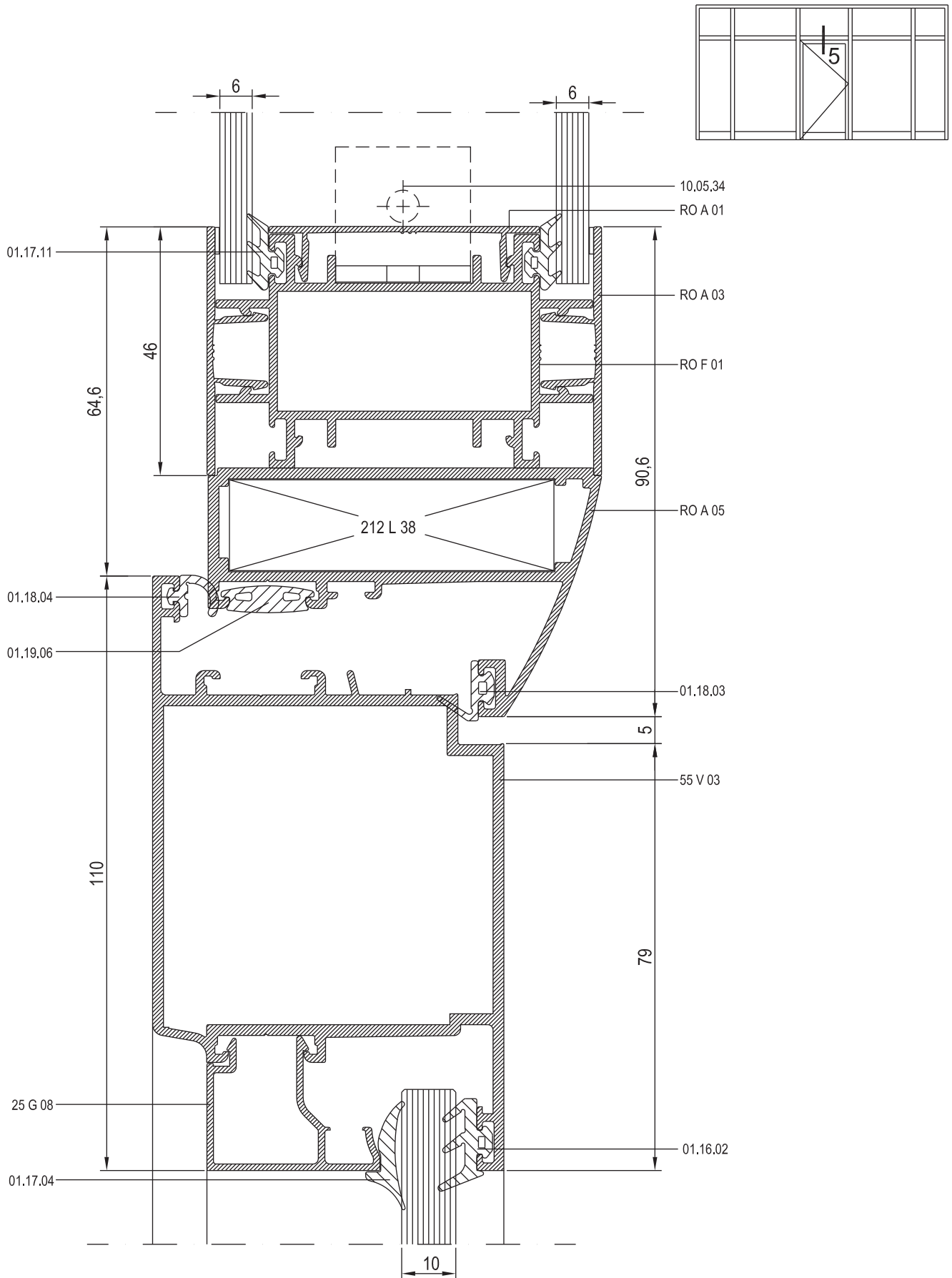
18

19

20







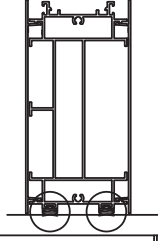


11



01.07.08.50R

ETEK ALTI FİTİLİ  
KICK PLATE GASKET  
EPDM  
68 gr/m



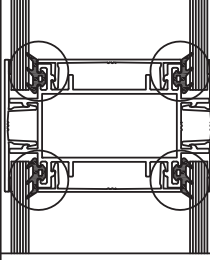
12

13



01.17.11

CAM FİTİLİ  
GLAZING GASKET  
EPDM  
42 gr/m

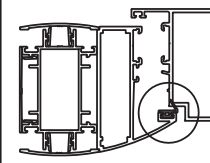


14



01.18.03

BİNİ FİTİLİ  
ACOUSTICAL GASKET  
EPDM  
53 gr/m



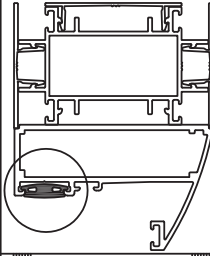
15

16

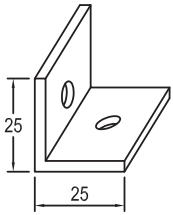


01.19.06

ÇITA KANAL FİTİLİ  
ADAPTER GASKET  
EPDM  
71 gr/m

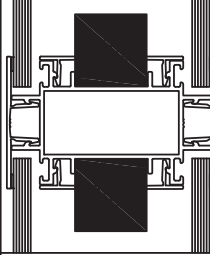


17

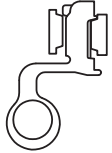


10.05.34

BAĞLANTI PARÇASI  
CONNECTION PIECE  
ALÜMİNYUM  
25 mm

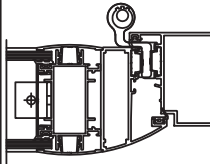


18



15.02.09

KAPI MENTEŞESİ  
DOOR HINGE  
SİYAH-BEYAZ-GRİ-ELOKSAL  
BLACK-WHITE-GREY-ANODISED



19

20

# RESCARA SİSTEM

## RESCARA SYSTEM

Aluminyum Kapı Pencere ve Giydirme Cephe Sistemleri  
Aluminium Window Doors and Facade Systems



11

12

13

14

15

16

17

18

19

20

# RESCARA SİSTEM

## RESCARA SYSTEM

Aluminyum Kapı Pencere ve Giydirmce Cephe Sistemleri  
Aluminium Window Doors and Facade Systems

11



12

13

14

15

16

17

18

19

20