

MİMARİ KATALOG

ARCHITECTURAL CATALOGUE

Aluminyum Kapı Pencere ve Giydirme Cephe Sistemleri
Aluminium Window Doors and Facade Systems



Rescara Sistem
Profil Detayları

Rescara System
Profile Details



RESCARA SİSTEM

RESCARA SYSTEM

Alüminyum Kapı Pencere ve Giydirmce Cephe Sistemleri
Aluminium Window Doors and Facade Systems

11



12

13

14

15

16

17

18

19

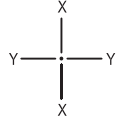
20

Önemli Not:

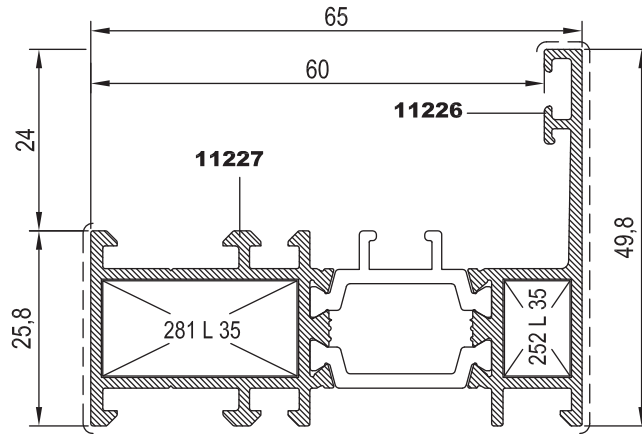
■ Enerji Gama Serisi ortalama kalınlıkları, 1.6 mm olarak tasarlanmıştır. Kalınlık toleransında ilgili Euro normu esas alınmıştır.



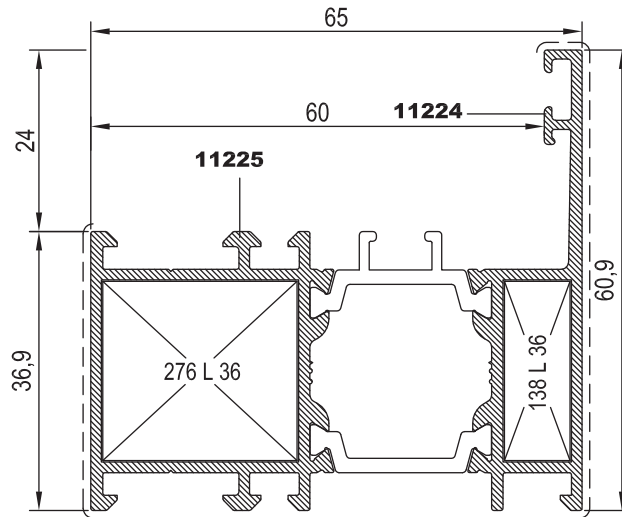
KOD / CODE	AĞIRLIK (kg/m) / WEIGHT	Jxx cm ⁴	Jyy cm ⁴	L m
MT65 F 01	1,261	15,038	5,183	6.00
MT65 F 02	1,314	18,001	10,293	6.00




MT65 F 01



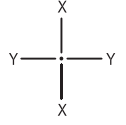
MT65 F 02



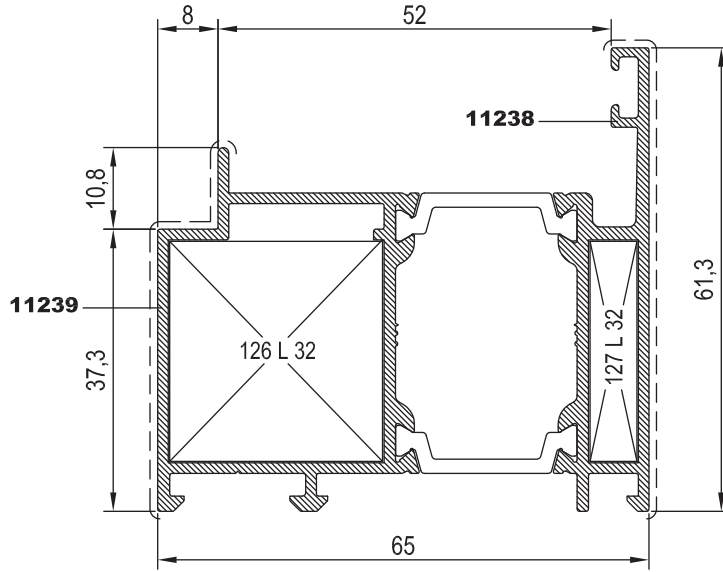
Nr	 L m	KESİM ÖLÇÜSÜ CUTTING SIZE	AKS. KODU ACS. CODE
MT65 F 01	11227	25 L 35 (10076)	25,7 mm
	11226	25 L 35 (10076)	8,7 mm
MT65 F 02	11225	25 L 36 (2397)	25,6 mm
	11224	25 L 36 (2397)	8,6 mm



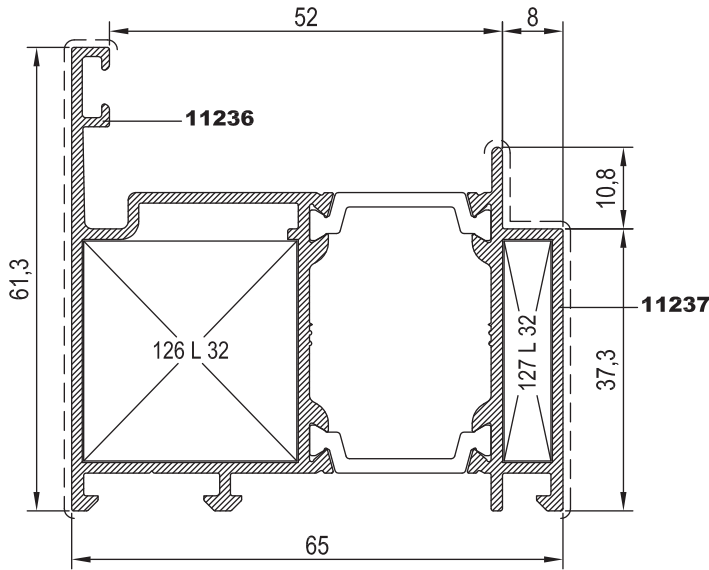
KOD / CODE	AĞIRLIK (kg/m) / WEIGHT	Jxx cm ⁴	Jyy cm ⁴	L m
MT65 DF 01	1,383	18,883	12,331	6.00
MT65 DF 02	1,372	19,540	12,324	6.00



MT65 DF 01 (İÇE AÇILIM KAPI İÇİN / INSIDE OPENING)



MT65 DF 02 (DIŞA AÇILIM KAPI İÇİN / OUTSIDE OPENING)



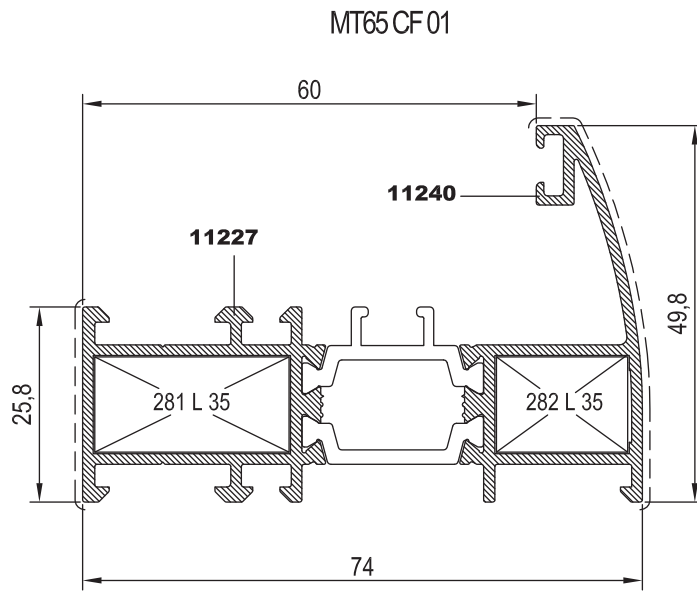
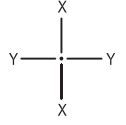
Nr



KESİM ÖLÇÜSÜ
CUTTING SIZEAKS. KODU
ACS. CODE

MT65 DF 01	11239	25 L 32 (2430)	28,1 mm	126 L 32
	11238	25 L 32 (2430)	6,1 mm	127 L 32
MT65 DF 02	11236	25 L 32 (2430)	28,1 mm	126 L 32
	11237	25 L 32 (2430)	6,1 mm	127 L 32



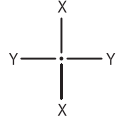
KOD / CODE	AĞIRLIK (kg/m) / WEIGHT	Jxx cm ⁴	Jyy cm ⁴	L m
MT65 CF 01	1,254	19,447	6,228	6.00



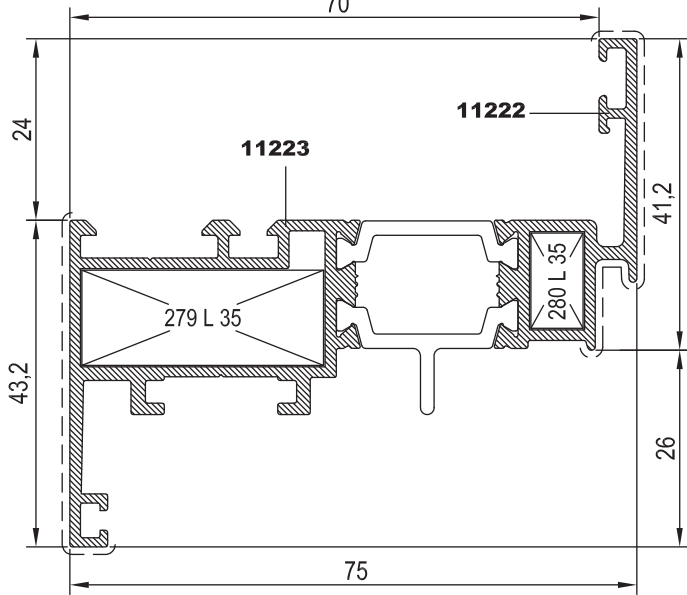
Nr	 L m	KESİM ÖLÇÜSÜ CUTTING SIZE	 AKS. KODU ACS. CODE	
MT65 CF 01	11227	25 L 35 (10076)	25,7 mm	281 L 35
	11240	25 L 35 (10076)	17,4 mm	282 L 35



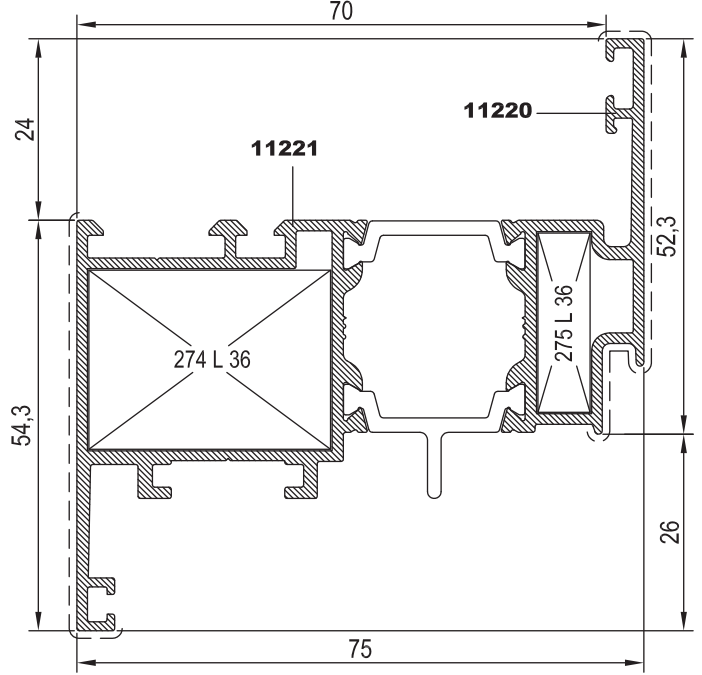
KOD / CODE	AĞIRLIK (kg/m) / WEIGHT	Jxx cm ⁴	Jyy cm ⁴	L m
MT65 V 01	1,341	23,753	7,691	6,00
MT65 V 02	1,539	28,171	14,117	6,00
MT65 V 03	1,739	32,520	25,351	6,00



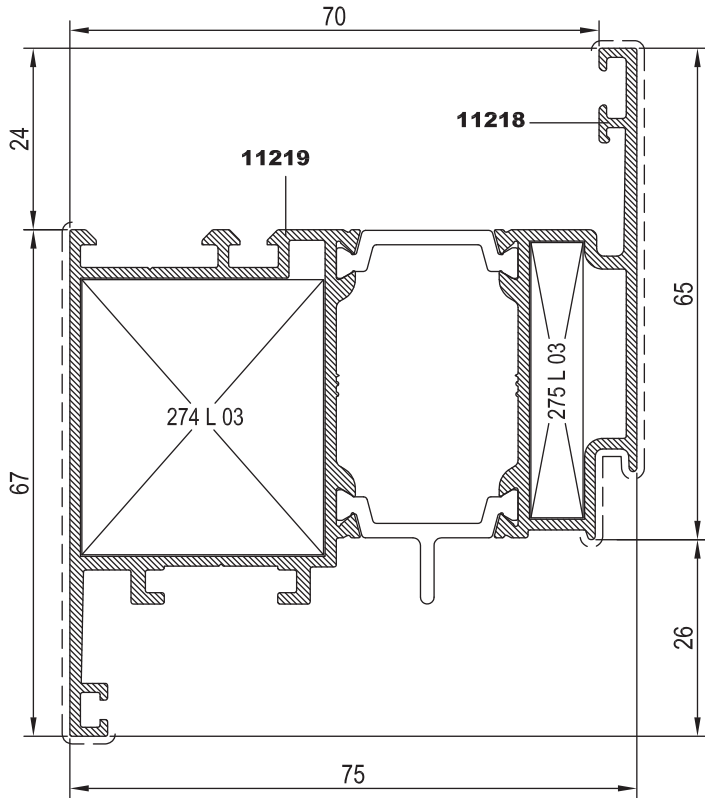
MT65 V 01



MT65 V 02



MT65 V 03



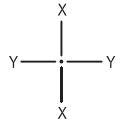
Nr

KESİM ÖLÇÜSÜ
CUTTING SIZEAKS. KODU
ACS. CODE

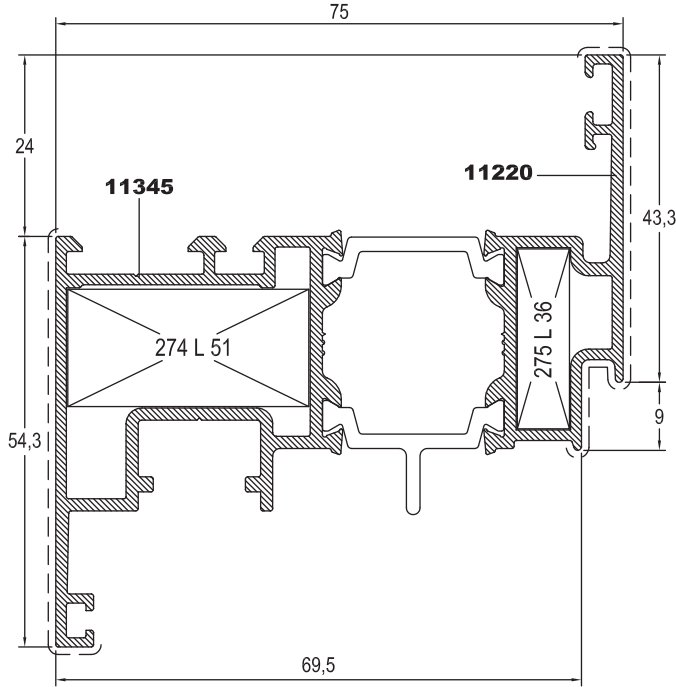
	Nr	25 L 35 (10076)	25 L 36 (2397)	25 L 03 (2021)
MT65 V 01	11223	32,0 mm	279 L 35	
	11222	6,9 mm	280 L 35	
MT65 V 02	11221	31,9 mm	274 L 36	
	11220	6,8 mm	275 L 36	
MT65 V 03	11219	31,9 mm	274 L 03	
	11218	6,8 mm	275 L 03	



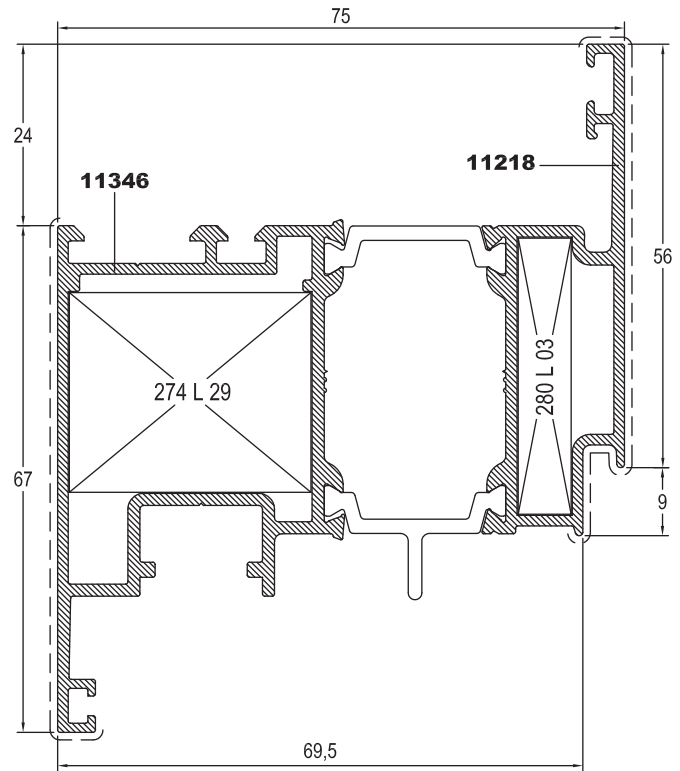
KOD / CODE	AĞIRLIK (kg/m) / WEIGHT	Jxx cm4	Jyy cm4	L m
MT65 V 05	1,579	28,789	13,733	6.00
MT65 V 06	1,788	33,266	25,010	6.00



MT65 V 05*



MT65 V 06*

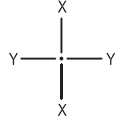


* PVC AKSESUARINA UYUMLU KANATLARDIR (9 AKS)
* FOR PVC ACCESSORIES (9 AXIS)

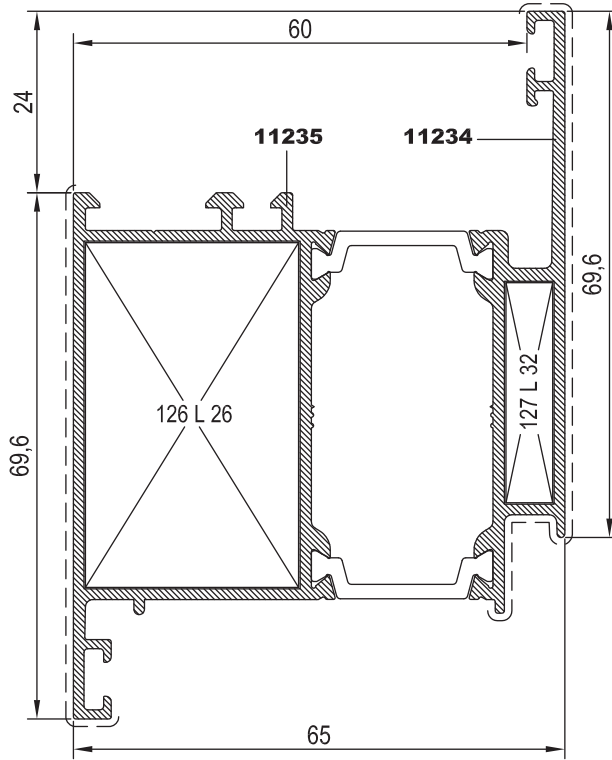
Nr		L m	KESİM ÖLÇÜSÜ CUTTING SIZE	AKS. KODU
MT65 V 05	11345	25 L 51 (10887)	31,9 mm	274 L 51
	11220	25 L 36 (2397)	6,8 mm	275 L 36
MT65 V 06	11346	25 L 29 (10543)	31,9 mm	274 L 29
	11218	25 L 03 (2021)	6,9 mm	280 L 03



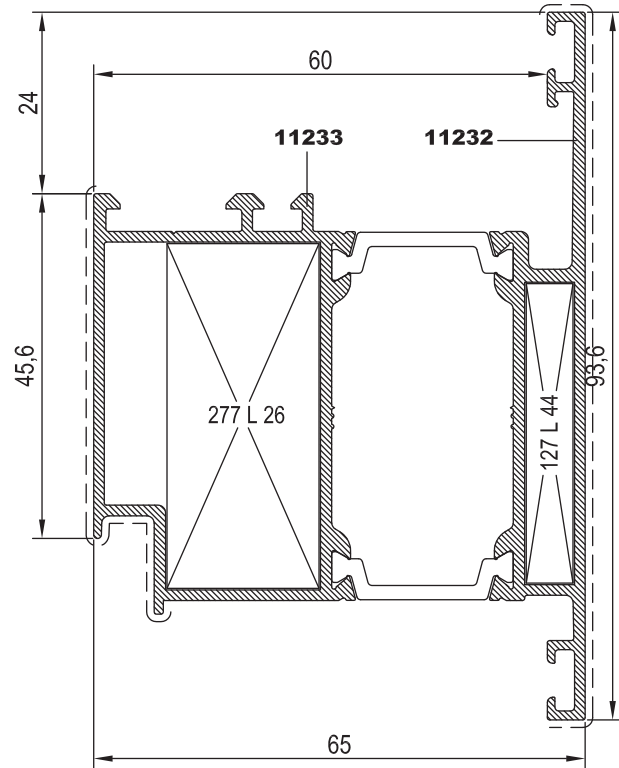
KOD / CODE	AĞIRLIK (kg/m) / WEIGHT	Jxx cm ⁴	Jyy cm ⁴	L m
MT65 DV 01	1,645	24,719	28,186	6,00
MT65 DV 02	1,696	23,606	28,724	6,00



MT65 DV 01



MT65 DV 02



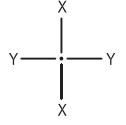
Nr

KESİM ÖLÇÜSÜ
CUTTING SIZE

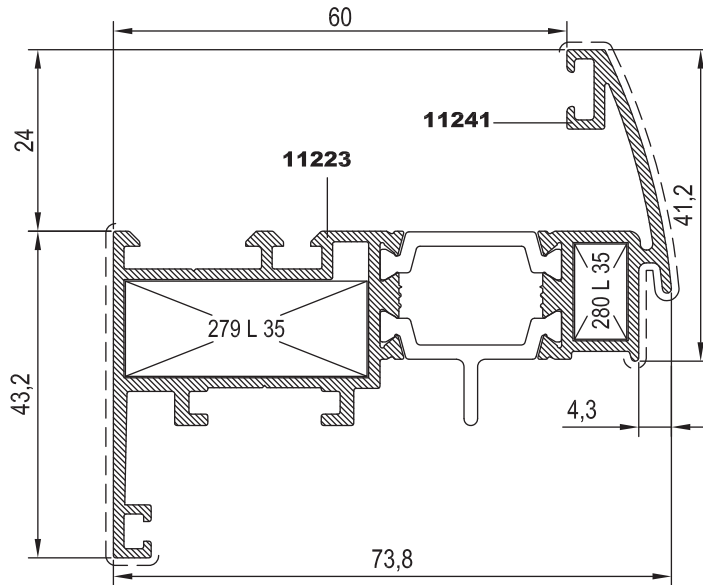
Nr	AKS. KODU ACS. CODE	KESİM ÖLÇÜSÜ CUTTING SIZE	AKS. KODU ACS. CODE
MT65 DV 01	11235	25 L 26 (10540)	28,1 mm
	11234	25 L 32 (2430)	6,1 mm
MT65 DV 02	11233	25 L 26 (10540)	20,0 mm
	11232	25 L 44 (10786)	6,1 mm



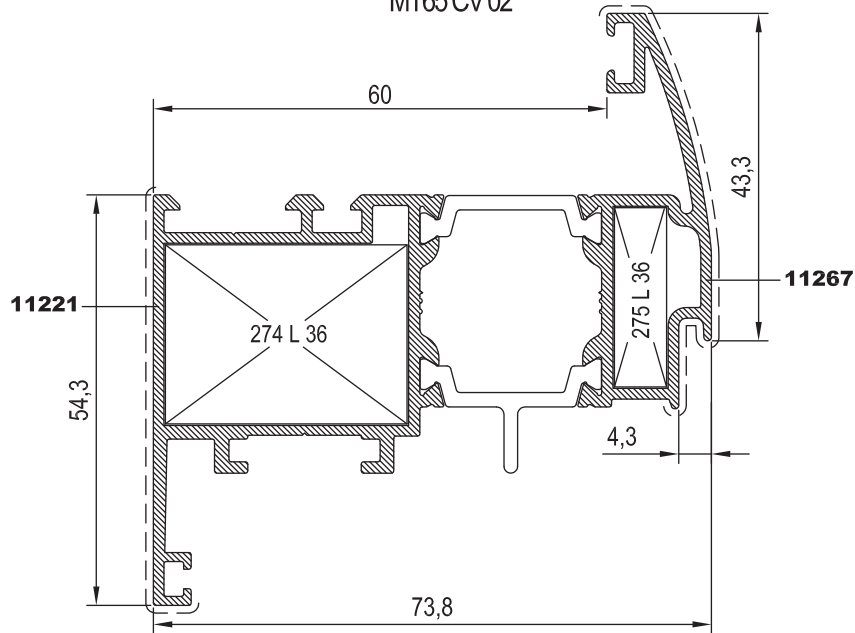
KOD / CODE	AĞIRLIK (kg/m) / WEIGHT	Jxx cm ⁴	Jyy cm ⁴	L m
MT65 CV 01	1,365	22,359	8,670	6.00
MT65 CV 02	1,551	26,511	15,464	6.00




MT65 CV 01



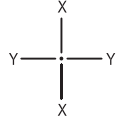
MT65 CV 02



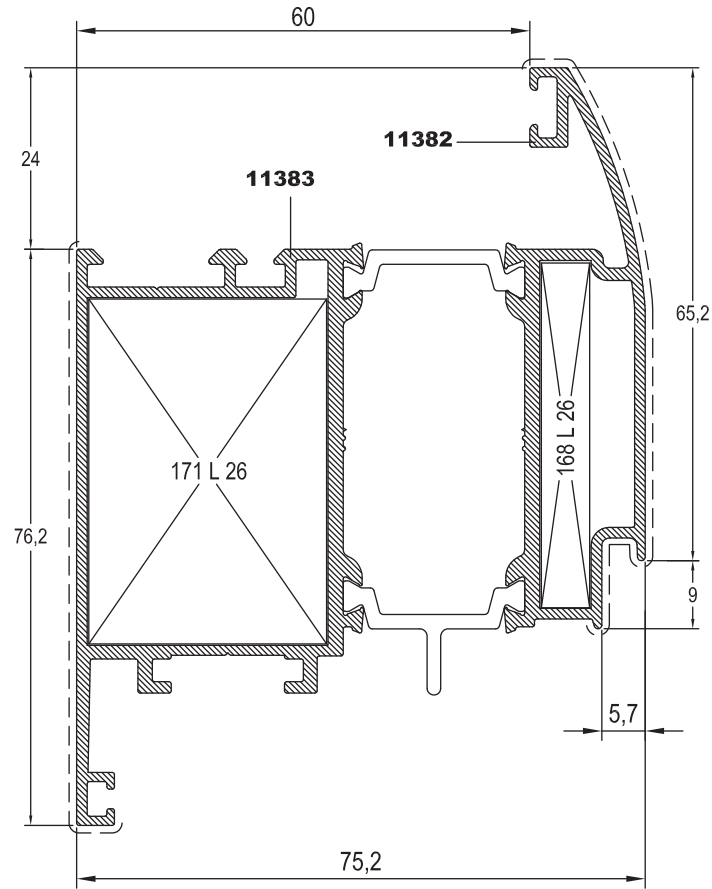
Nr		L m	KESİM ÖLÇÜSÜ CUTTING SIZE	AKS. KODU ACS. CODE
MT65 CV 01	11223	25 L 35 (10076)	32,0 mm	279 L 35
	11241	25 L 35 (10076)	6,9 mm	280 L 35
MT65 CV 02	11221	25 L 36 (2397)	31,9 mm	274 L 36
	11267	25 L 36 (2397)	6,8 mm	275 L 36




KOD / CODE	AĞIRLIK (kg/m) / WEIGHT	J _{xx} cm ⁴	J _{yy} cm ⁴	L m
MT65 CDV 01	2,015	35,420	39,516	6,00



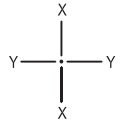
MT65 CDV 01



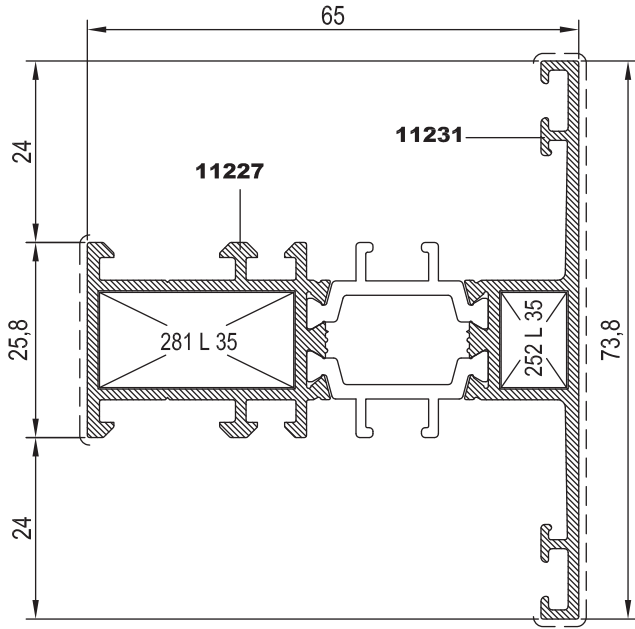
Nr	 L m	KESİM ÖLÇÜSÜ CUTTING SIZE	AKS. KODU	
MT65 CDV 01	11383	25 L 26 (10540)	31,6 mm	171 L 26
	11382	25 L 26 (10540)	6,4 mm	168 L 26



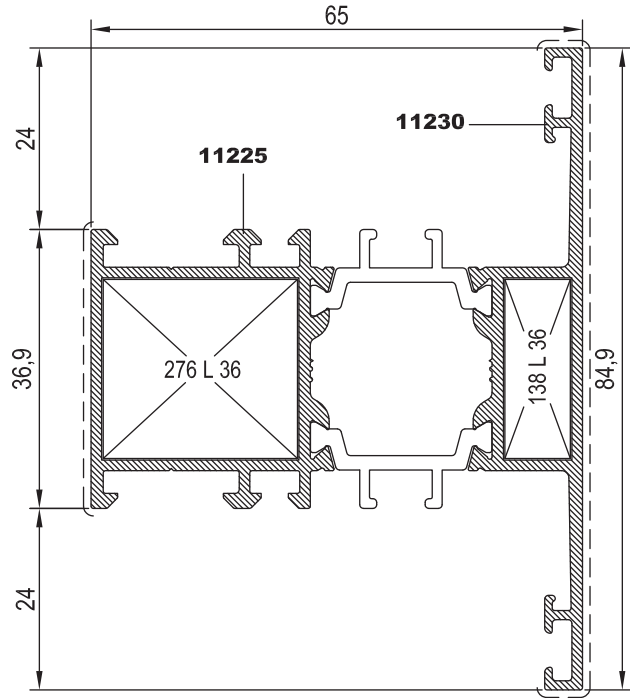
KOD / CODE	AĞIRLIK (kg/m) / WEIGHT	Jxx cm ⁴	Jyy cm ⁴	L m
MT65 M 01	1,301	17,423	9,238	6.00
MT65 M 02	1,501	20,392	15,948	6.00
MT65 M 03	1,701	23,675	27,366	6.00



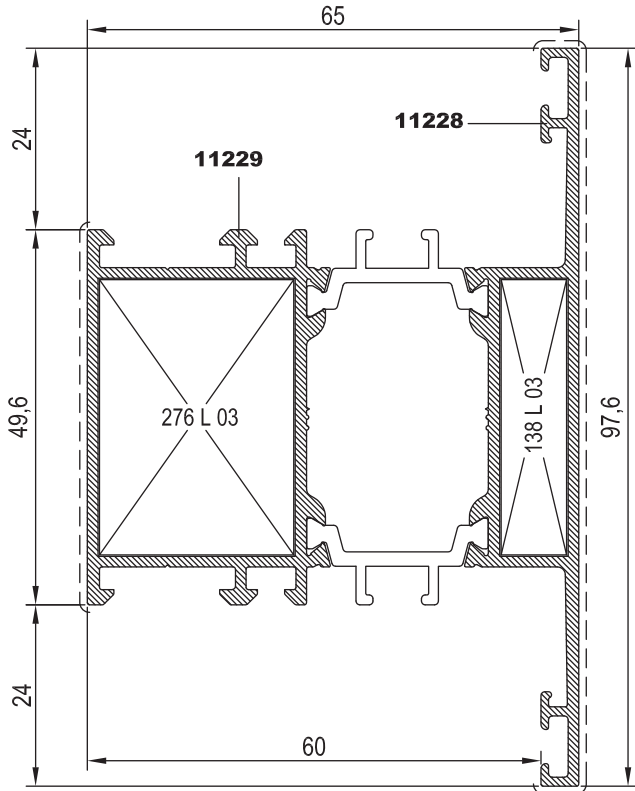
MT65 M 01






MT65 M 02



MT65 M 03

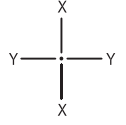


	Nr	 L m	KESİM ÖLÇÜSÜ CUTTING SIZE	 AKS. KODU ACS. CODE
MT65 M 01	11227	25 L 35 (10076)	25,7 mm	281 L 35
	11231	25 L 35 (10076)	8,7 mm	252 L 35
MT65 M 02	11225	25 L 36 (2397)	25,6 mm	276 L 36
	11230	25 L 36 (2397)	8,6 mm	138 L 36
MT65 M 03	11229	25 L 03 (2021)	25,6 mm	276 L 03
	11228	25 L 03 (2021)	8,6 mm	138 L 03

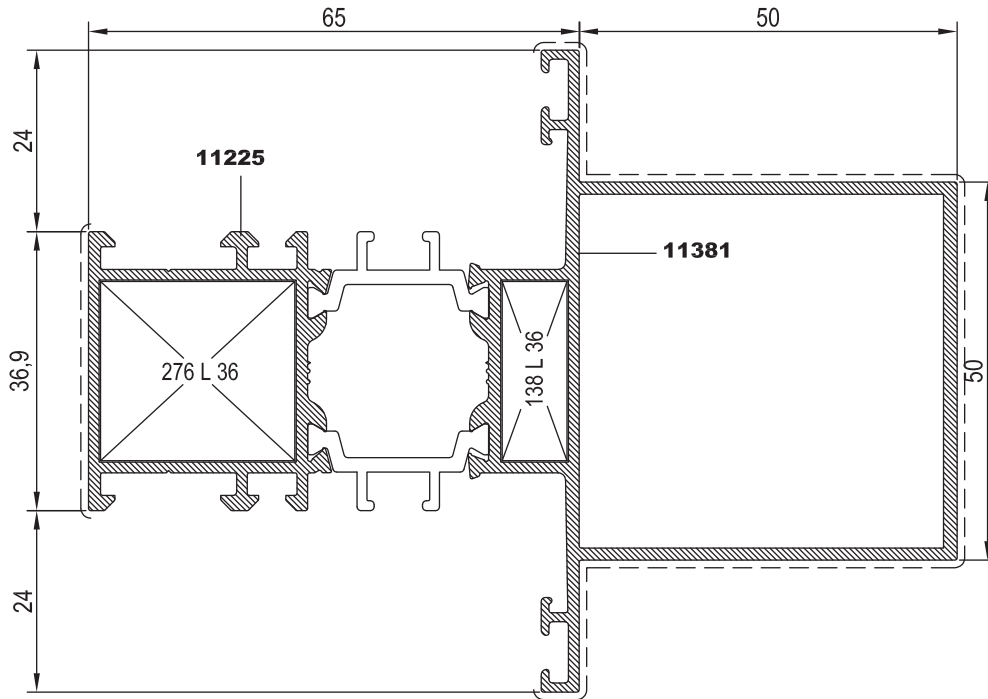
	Nr	 L m	KESİM ÖLÇÜSÜ CUTTING SIZE	 AKS. KODU ACS. CODE
MT65 M 01	11227	25 J 17 (11266)	12,6 mm	286 J 17
	11231	25 J 18 (11265)	12,6 mm	286 J 18
MT65 M 02	11225	25 J 17 (11266)	23,7 mm	285 J 17
	11230	25 J 18 (11265)	23,7 mm	285 J 18
MT65 M 03	11229	25 J 17 (11266)	36,4 mm	163 J 17
	11228	25 J 18 (11265)	36,4 mm	163 J 18
MT65 M 01	11227	25 J 17 (11266)	12,6 mm	286 J 17
	11231	25 J 19 (11264)	12,6 mm	286 J 19
MT65 M 02	11225	25 J 17 (11266)	23,7 mm	285 J 17
	11230	25 J 19 (11264)	23,7 mm	285 J 19
MT65 M 03	11229	25 J 17 (11266)	36,4 mm	163 J 17
	11228	25 J 19 (11264)	36,4 mm	163 J 19





KOD / CODE	AĞIRLIK (kg/m) / WEIGHT	Jxx cm ⁴	Jyy cm ⁴	L m
MT65 M 07	2,565	68,362	26,860	6.00



MT65 M 07

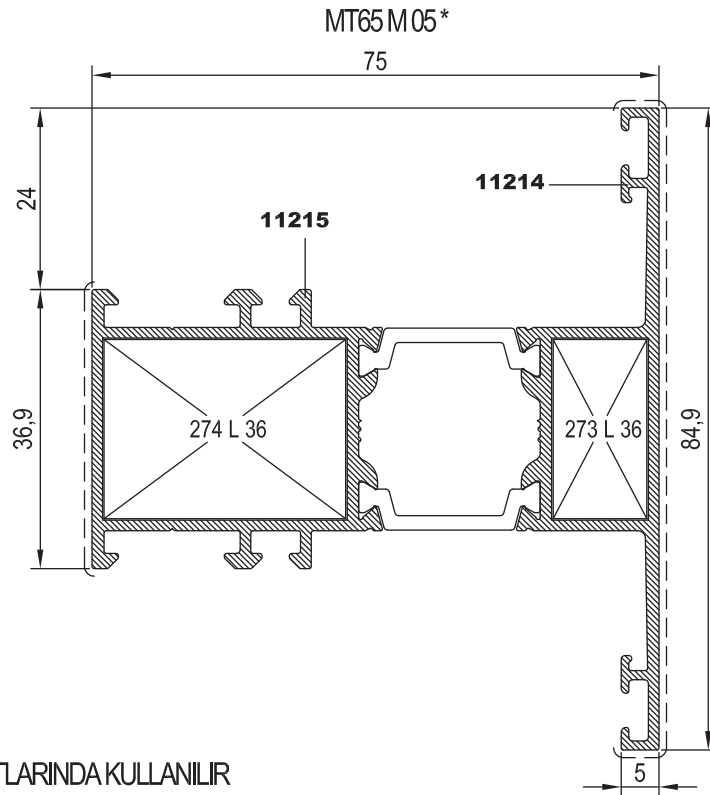
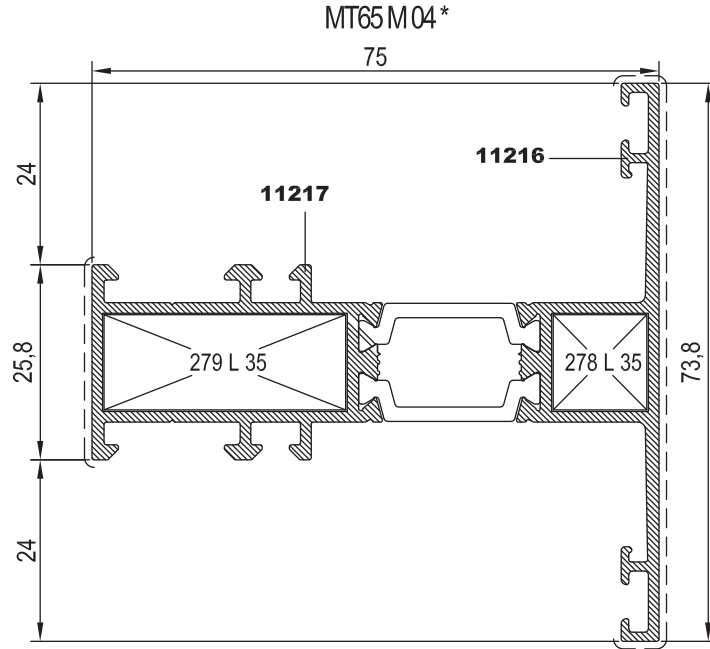
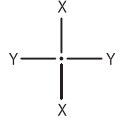


Nr		L m	KESİM ÖLÇÜSÜ CUTTING SIZE	AKS. KODU ACS. CODE
MT65 M 07	11225	25 J 17 (11266)	23,7 mm	285 J 17
	11381	25 J 18 (11265)	23,7 mm	285 J 18
MT65 M 07	11225	25 J 17 (11266)	23,7 mm	285 J 17
	11381	25 J 19 (11264)	23,7 mm	285 J 19

Nr		L m	KESİM ÖLÇÜSÜ CUTTING SIZE	AKS. KODU ACS. CODE
MT65 M 07	11225	25 L 36 (2397)	25,6 mm	276 L 36
	11381	25 L 36 (2397)	8,6 mm	138 L 36





KOD / CODE	AĞIRLIK (kg/m) / WEIGHT	Jxx cm ⁴	Jyy cm ⁴	L m
MT65 M 04	1,338	24,674	9,382	6,00
MT65 M 05	1,537	28,467	16,399	6,00



* MT65 V 01 - V 02 - V 03 KANATLARINDA KULLANILIR

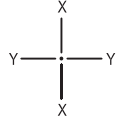
* USE IN MT65 V 01 - V 02 - V 03

Nr		L m	KESİM ÖLÇÜSÜ CUTTING SIZE	AKS. KODU ACS. CODE
MT65 M 04	11217	25 J 20 (11263)	12,6 mm	286 J 20
	11216	25 J 21 (11262)	12,6 mm	286 J 21
MT65 M 05	11215	25 J 20 (11263)	23,7 mm	285 J 20
	11214	25 J 21 (11262)	23,7 mm	285 J 21

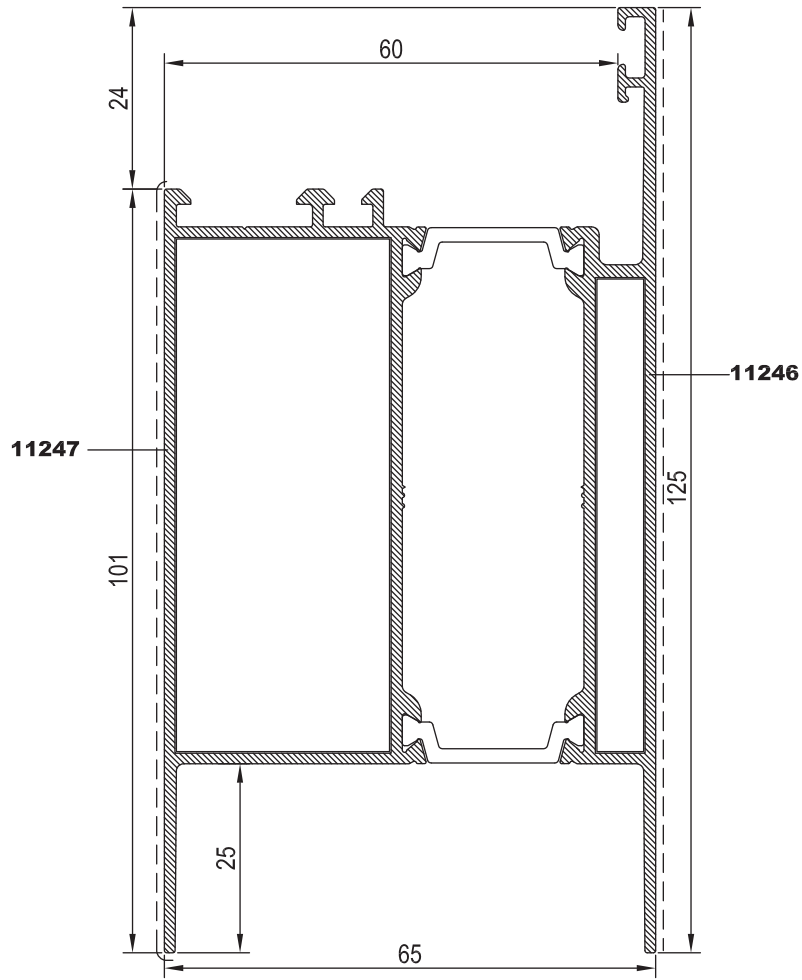
Nr		L m	KESİM ÖLÇÜSÜ CUTTING SIZE	AKS. KODU ACS. CODE
MT65 M 04	11217	25 L 35 (10076)	32,0 mm	279 L 35
	11216	25 L 35 (10076)	12,4 mm	278 L 35
MT65 M 05	11215	25 L 36 (2397)	31,9 mm	274 L 36
	11214	25 L 36 (2397)	12,3 mm	273 L 36



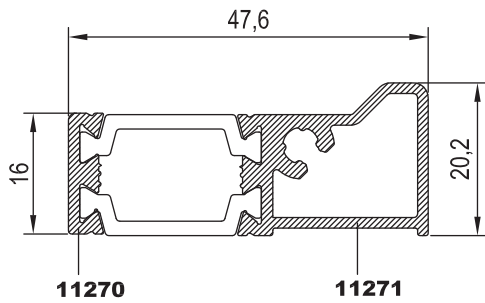
KOD / CODE	AĞIRLIK (kg/m) / WEIGHT	J _{xx} cm ⁴	J _{yy} cm ⁴	L m
MT65 K 01	2,126	33,757	73,130	6.00
MT65 K 02	0,677	3,613	0,678	6.00
MT65 K 03	0,919	9,320	1,733	6.00



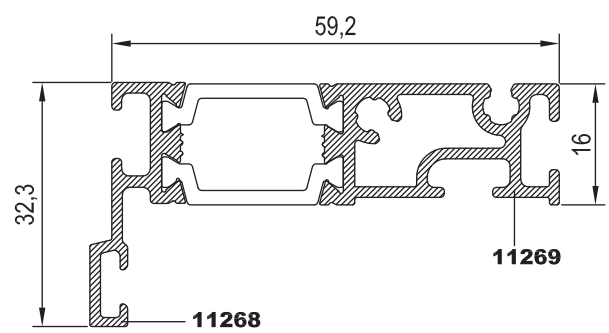
MT65 K 01



MT65 K 02



MT65 K 03



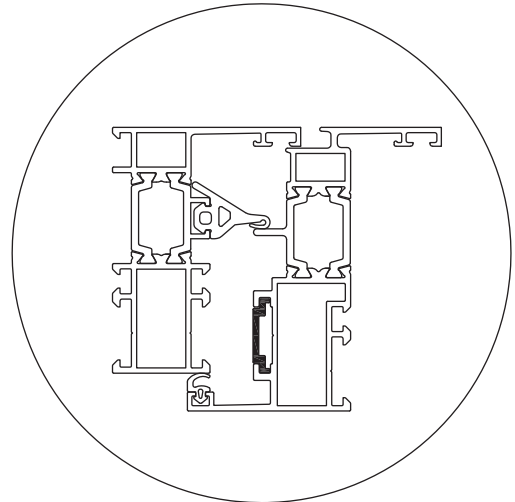
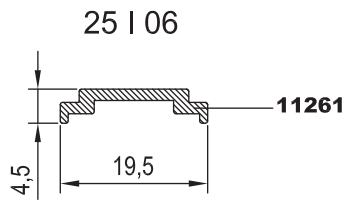
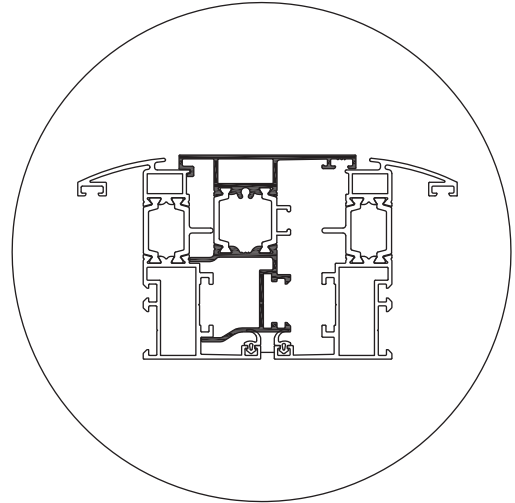
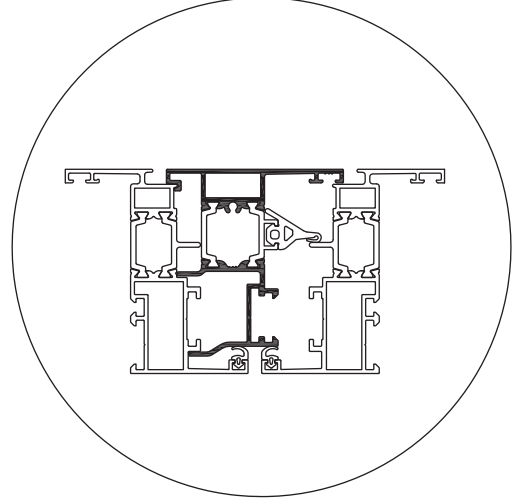
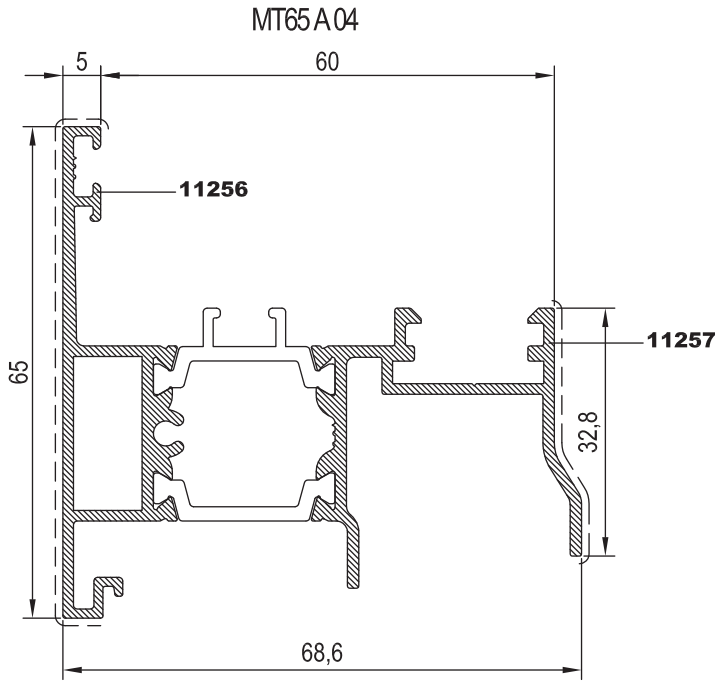
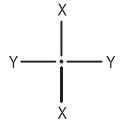
Nr

KESİM ÖLÇÜSÜ
CUTTING SIZEAKS. KODU
ACS. CODE

MT65 K 01	11247	25 J 23 (11276)	67,6 mm	284 J 23
	11246	25 J 22 (11277)	62,5 mm	283 J 22



KOD / CODE	AĞIRLIK (kg/m) / WEIGHT	Jxx cm ⁴	Jyy cm ⁴	L m ←→
MT65 A 04 25 I 06	1,273 0,104	16,948 -----	8,346 -----	6.00 6.00



11

12

13

14

15

16

17

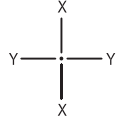
18

19

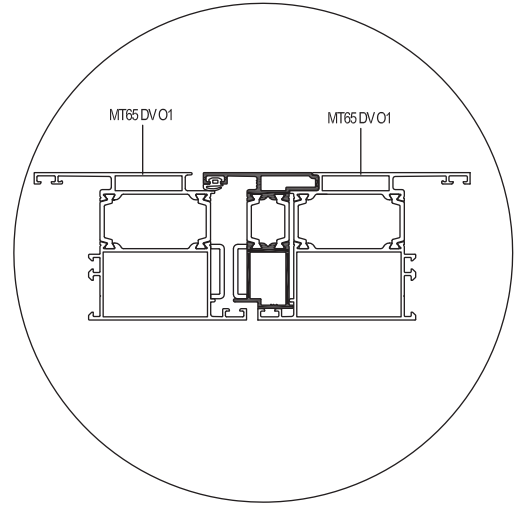
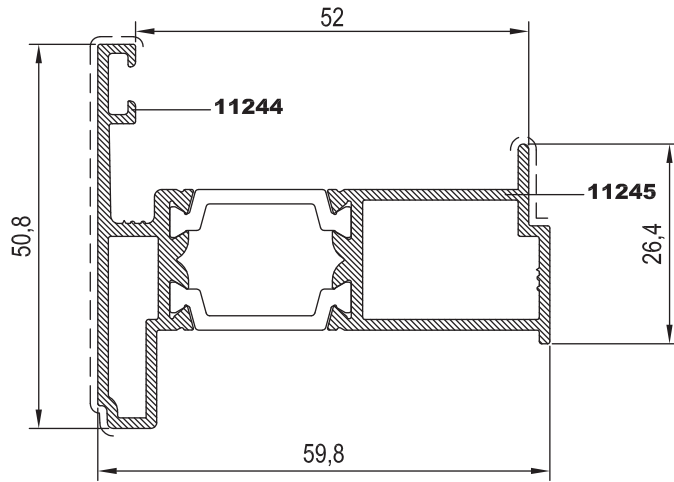
20



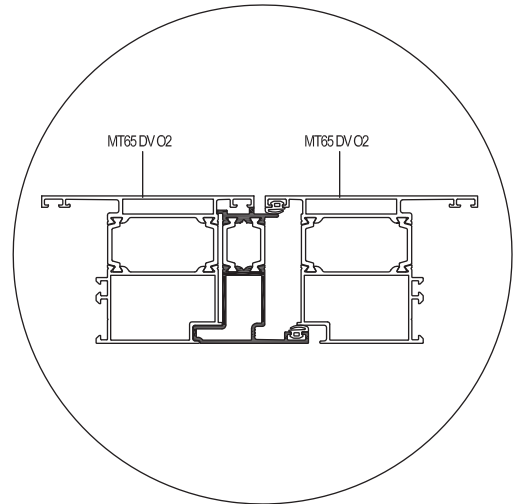
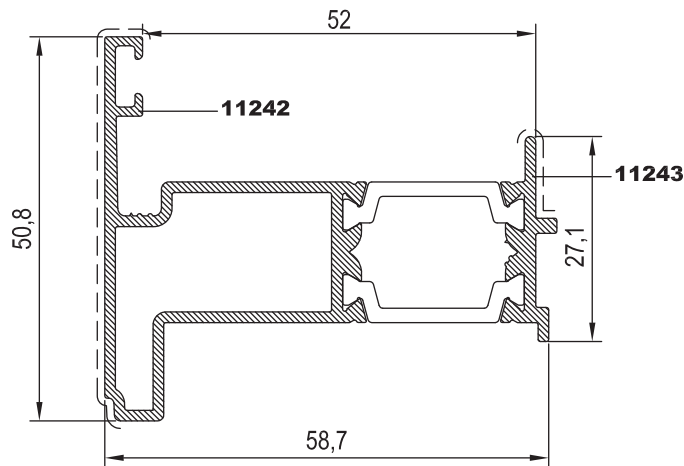
KOD / CODE	AĞIRLIK (kg/m) / WEIGHT	Jxx cm ⁴	Jyy cm ⁴	L m
MT65 DA 01	1,040	11,513	4,120	6.00
MT65 DA 02	0,987	10,627	4,082	6.00



MT65 DA 01 (MT65 DV 01 İLE)

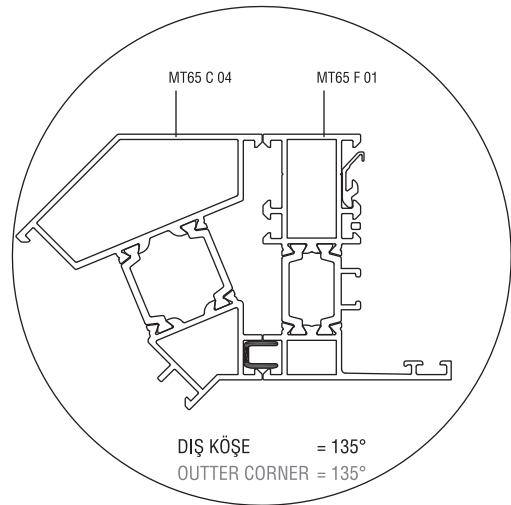
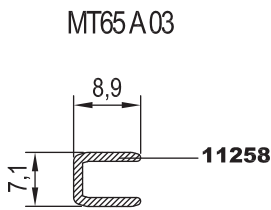
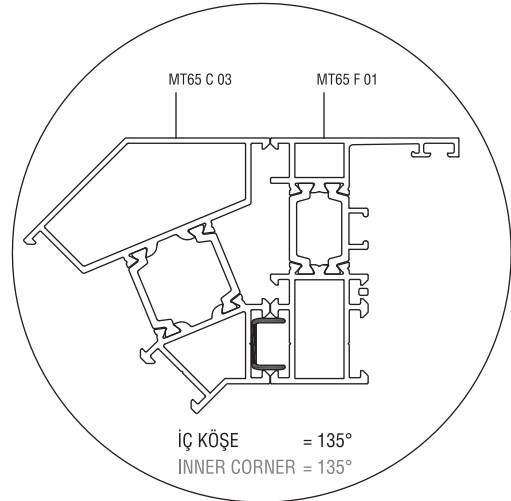
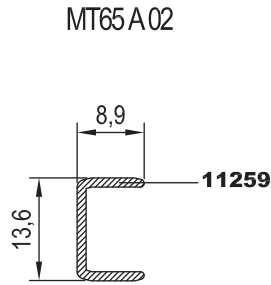
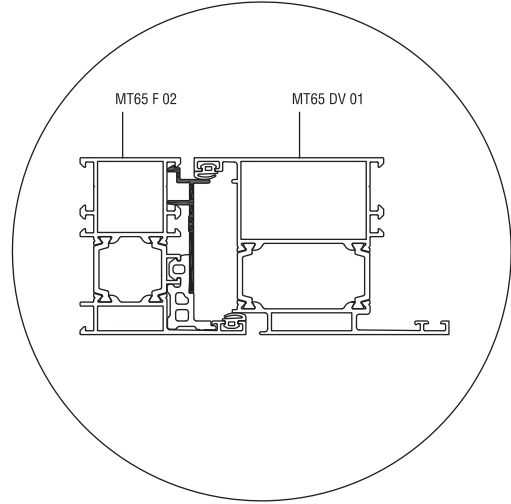
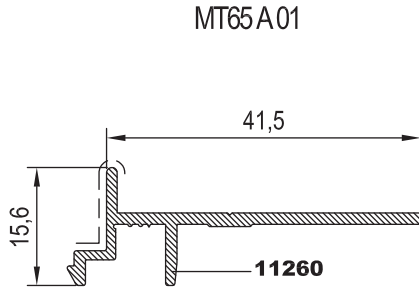
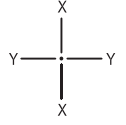


MT65 DA 02 (MT65 DV 02 İLE)



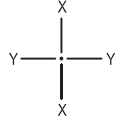


KOD / CODE	AĞIRLIK (kg/m) / WEIGHT	L m	
MT65 A 01	0,273	6.00	
MT65 A 02	0,090	6.00	
MT65 A 03	0,061	6.00	

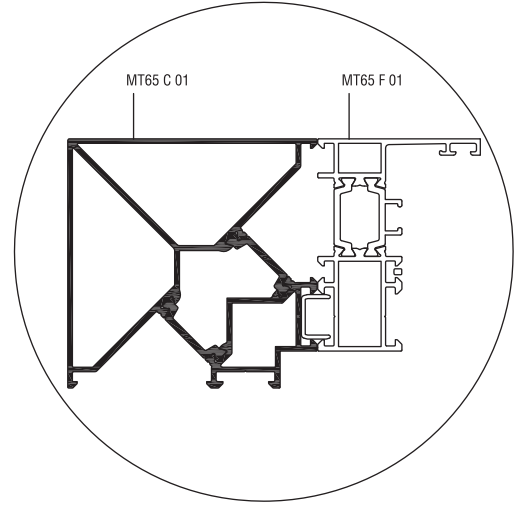
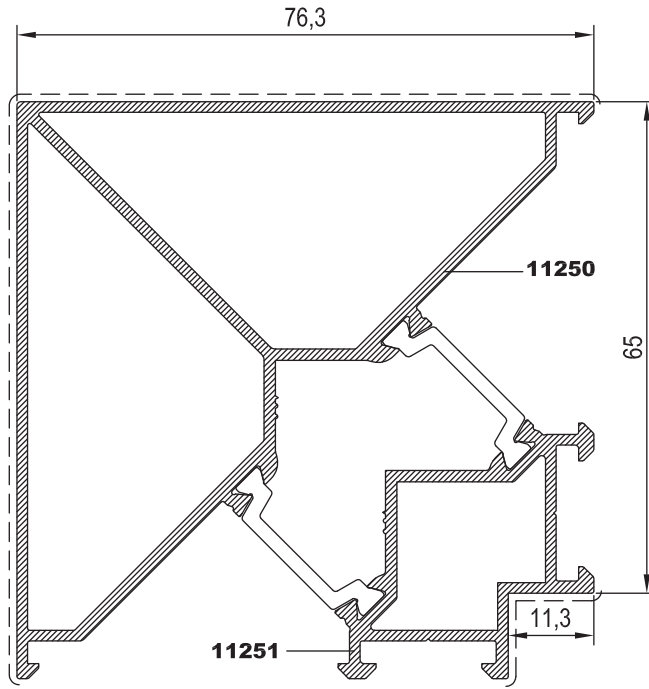




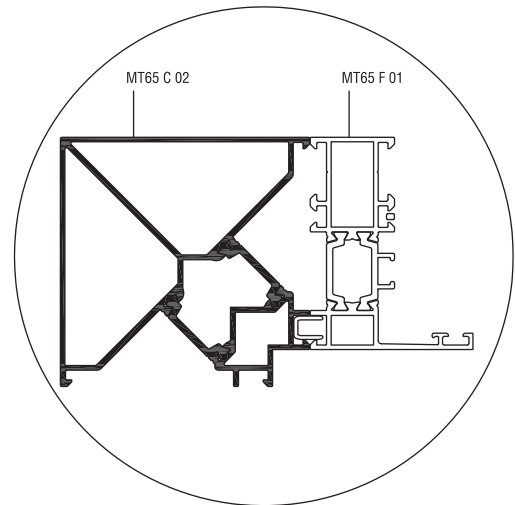
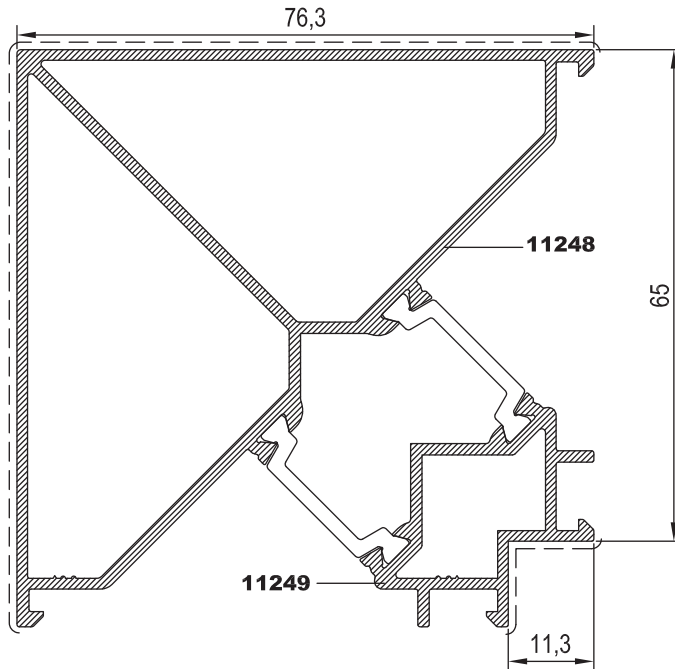
KOD / CODE	AĞIRLIK (kg/m) / WEIGHT	Jxx cm ⁴	Jyy cm ⁴	L m
MT65 C 01	2,009	32,369	32,369	6,00
MT65 C 02	1,952	31,974	31,974	6,00



MT65 C 01

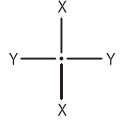


MT65 C 02

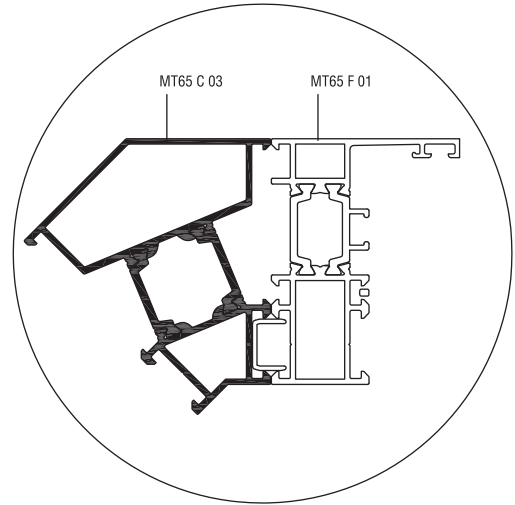
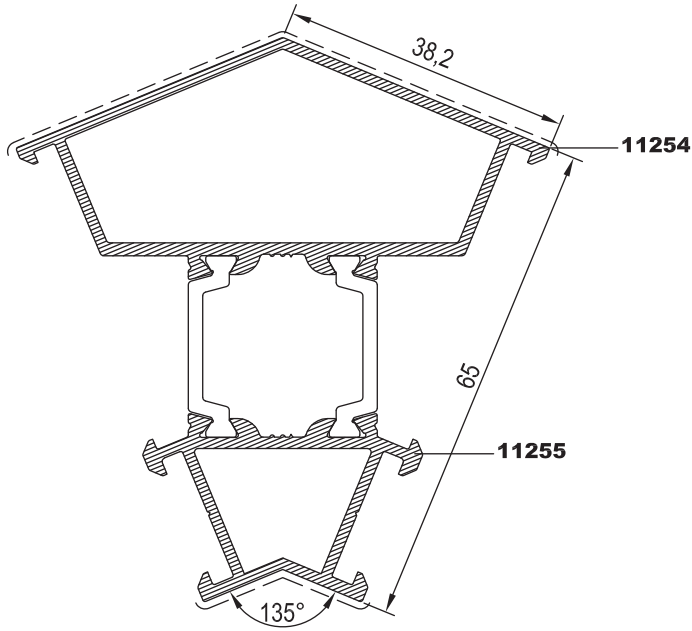




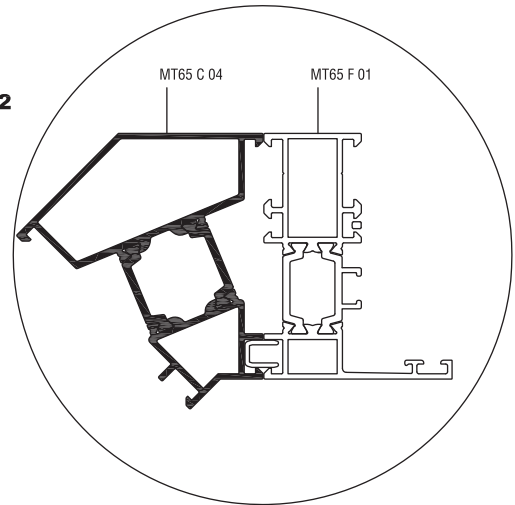
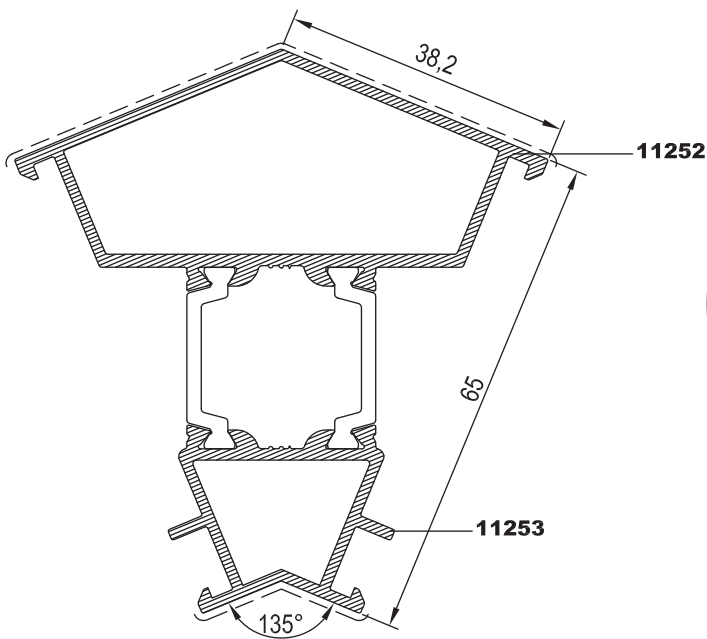
KOD / CODE	AĞIRLIK (kg/m) / WEIGHT	Jxx cm ⁴	Jyy cm ⁴	L m ↔
MT65 C 03	1,328	11,346	16,584	6.00
MT65 C 04	1,301	11,270	16,465	6.00



MT65 C 03



MT65 C 04



11

12

13

14

15

16

17

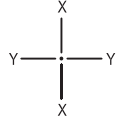
18

19

20



KOD / CODE	AĞIRLIK (kg/m) / WEIGHT	L m
24 G 13	0,296	6
24 G 14	0,315	6
24 G 15	0,334	6
24 G 16	0,353	6



11

12

13

14

15

16

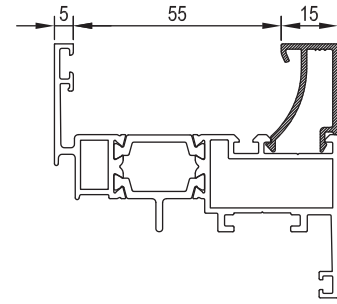
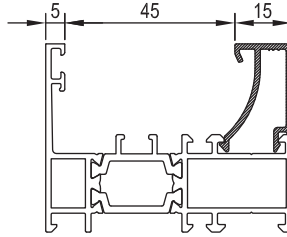
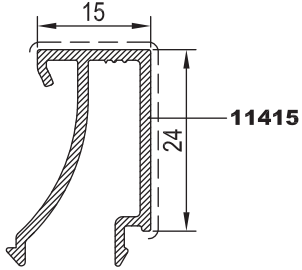
17

18

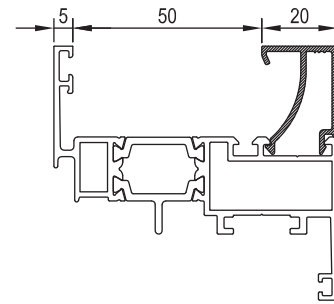
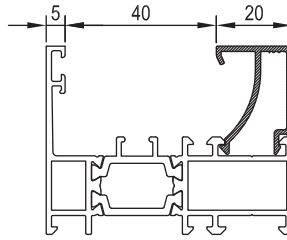
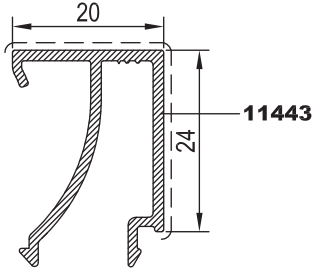
19

20

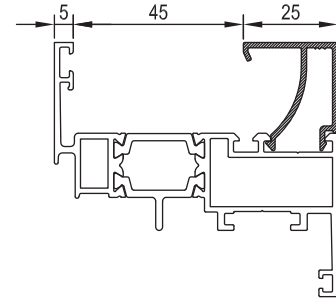
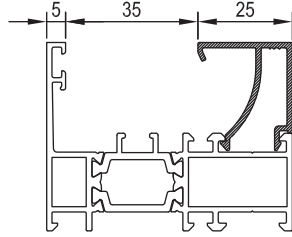
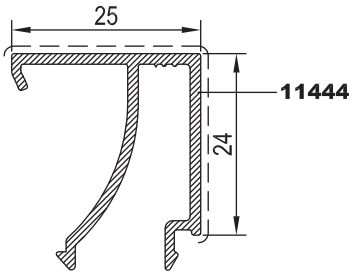
24 G 13



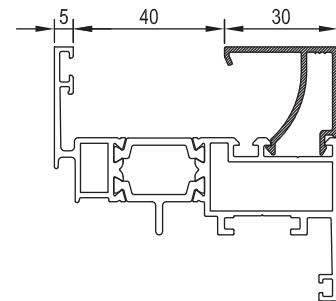
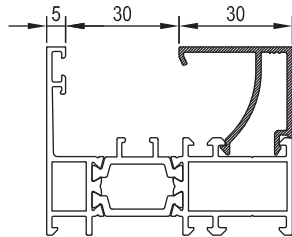
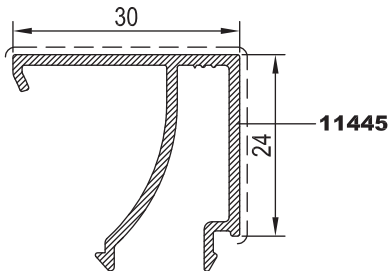
24 G 14



24 G 15

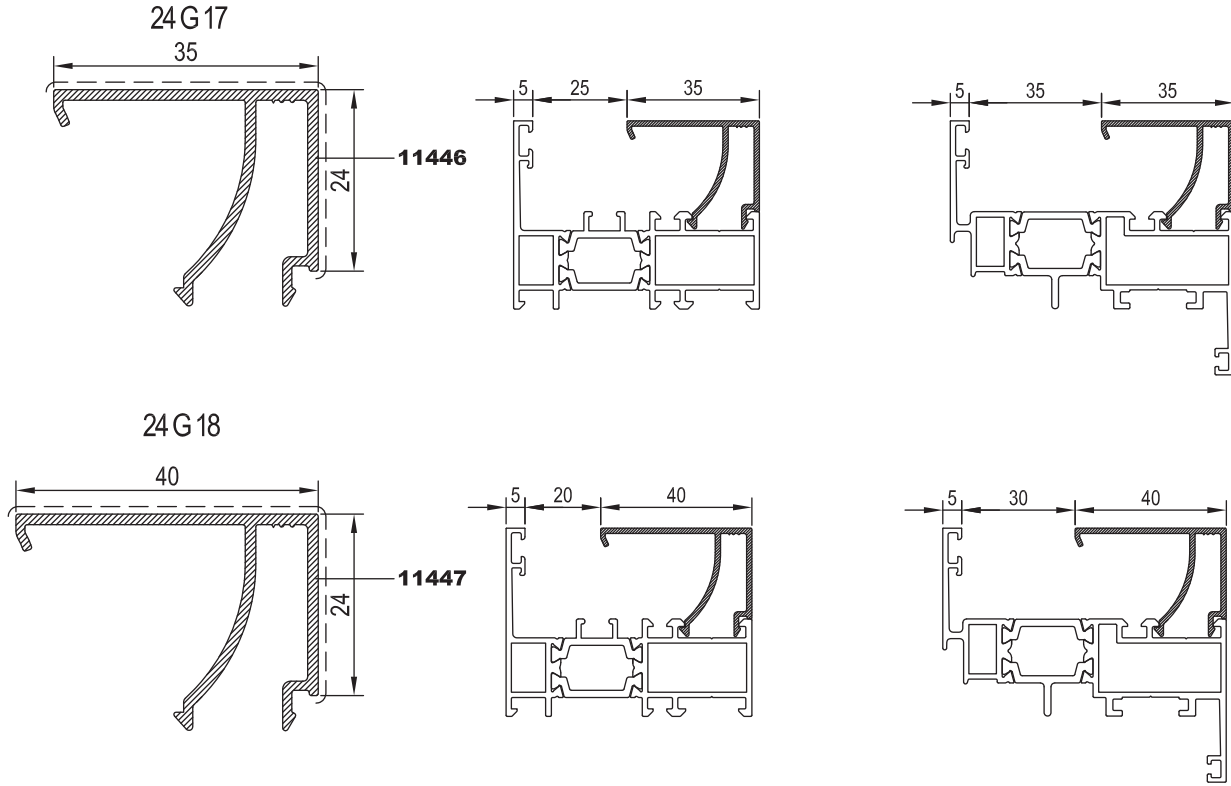
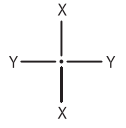


24 G 16





KOD / CODE	AĞIRLIK (kg/m) / WEIGHT	L m	
24 G 17	0,372	6	
24 G 18	0,391	6	



11

12

13

14

15

16

17

18

19

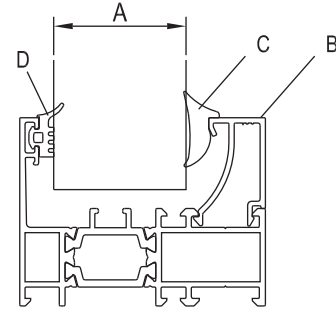
20



UYGULANAN PROFİLLER: MT65F01-MT65F02-MT65DV01-MT65DV02-MT65CDV01-MT65CF01-MT65CV01-MT65M01-MT65M02-MT65M03-MT65K01
USE WITH: MT65F01-MT65F02-MT65DV01-MT65DV02-MT65CDV02-MT65CF01-MT65CV01-MT65M01-MT65M02-MT65M03-MT65K01

B, CAM ÇİTASI GLAZING BEAD	C, İÇ CAM FİTİLİ GLAZING GASKET	A, CAM KALINLIĞI GLASS THICKNESS	D, DIŞ CAM FİTİLİ GLAZING GASKET
24 G 13	01.17.20	38 mm	01.16.10
24 G 13	01.17.05	37 mm	01.16.10
24 G 13	01.17.14	36 mm	01.16.10
24 G 13	01.17.15	35 mm	01.16.10
24 G 13	01.17.21	34 mm	01.16.10
24 G 14	01.17.20	33 mm	01.16.10
24 G 14	01.17.05	32 mm	01.16.10
24 G 14	01.17.14	31 mm	01.16.10
24 G 14	01.17.15	30 mm	01.16.10
24 G 14	01.17.21	29 mm	01.16.10
24 G 15	01.17.20	28 mm	01.16.10
24 G 15	01.17.05	27 mm	01.16.10
24 G 15	01.17.14	26 mm	01.16.10
24 G 15	01.17.15	25 mm	01.16.10
24 G 15	01.17.21	24 mm	01.16.10
24 G 16	01.17.20	23 mm	01.16.10
24 G 16	01.17.05	22 mm	01.16.10
24 G 16	01.17.14	21 mm	01.16.10
24 G 16	01.17.15	20 mm	01.16.10
24 G 16	01.17.21	19 mm	01.16.10

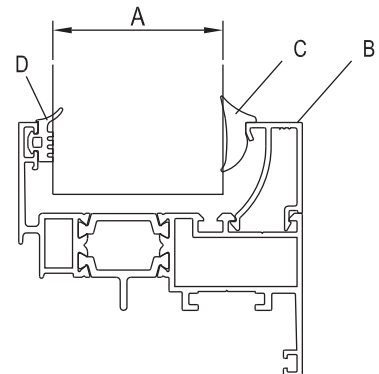
B, CAM ÇİTASI GLAZING BEAD	C, İÇ CAM FİTİLİ GLAZING GASKET	A, CAM KALINLIĞI GLASS THICKNESS	D, DIŞ CAM FİTİLİ GLAZING GASKET
24 G 17	01.17.20	18 mm	01.16.10
24 G 17	01.17.05	17 mm	01.16.10
24 G 17	01.17.14	16 mm	01.16.10
24 G 17	01.17.15	15 mm	01.16.10
24 G 17	01.17.21	14 mm	01.16.10
24 G 18	01.17.20	13 mm	01.16.10



UYGULANAN PROFİLLER: MT65V01-MT65V02-MT65V03-MT65M04-MT6V05M05-MT65V05-MT65V06
USE WITH: MT65V01-MT65V02-MT65V03-MT65M04-MT65M05-MT65V05-MT65V06

B, CAM ÇİTASI GLAZING BEAD	C, İÇ CAM FİTİLİ GLAZING GASKET	A, CAM KALINLIĞI GLASS THICKNESS	D, DIŞ CAM FİTİLİ GLAZING GASKET
24 G 13	01.17.20	48 mm	01.16.10
24 G 13	01.17.05	47 mm	01.16.10
24 G 13	01.17.14	46 mm	01.16.10
24 G 13	01.17.15	45 mm	01.16.10
24 G 13	01.17.21	44 mm	01.16.10
24 G 14	01.17.20	43 mm	01.16.10
24 G 14	01.17.05	42 mm	01.16.10
24 G 14	01.17.14	41 mm	01.16.10
24 G 14	01.17.15	40 mm	01.16.10
24 G 14	01.17.21	39 mm	01.16.10
24 G 15	01.17.20	38 mm	01.16.10
24 G 15	01.17.05	37 mm	01.16.10
24 G 15	01.17.14	36 mm	01.16.10
24 G 15	01.17.15	35 mm	01.16.10
24 G 15	01.17.21	34 mm	01.16.10
24 G 16	01.17.20	33 mm	01.16.10
24 G 16	01.17.05	32 mm	01.16.10
24 G 16	01.17.14	31 mm	01.16.10
24 G 16	01.17.15	30 mm	01.16.10
24 G 16	01.17.21	29 mm	01.16.10

B, CAM ÇİTASI GLAZING BEAD	C, İÇ CAM FİTİLİ GLAZING GASKET	A, CAM KALINLIĞI GLASS THICKNESS	D, DIŞ CAM FİTİLİ GLAZING GASKET
24 G 17	01.17.20	28 mm	01.16.10
24 G 17	01.17.05	27 mm	01.16.10
24 G 17	01.17.14	26 mm	01.16.10
24 G 17	01.17.15	25 mm	01.16.10
24 G 17	01.17.21	24 mm	01.16.10
24 G 18	01.17.20	23 mm	01.16.10
24 G 18	01.17.05	22 mm	01.16.10
24 G 18	01.17.14	21 mm	01.16.10
24 G 18	01.17.15	20 mm	01.16.10
24 G 18	01.17.21	19 mm	01.16.10





KÖŞE TAKOZLARI (CORNER CLEATS)

PROFİL KODU (PROFILE CODE)	25 L 03	25 L 26	25 L 29	25 L 32
FABRİKA KODU (FACTORY CODE)	2021	10540	10543	2430
AĞIRLIK (WEIGHT)	4,315 kg/m	4,870 kg/m	3,582 kg/m	3,702 kg/m
ÇİZİM (DRAWING)				

PROFİL KODU (PROFILE CODE)	25 L 35	25 L 36	25 L 44	25 L 51
FABRİKA KODU (FACTORY CODE)	10076	2397	10786	10887
AĞIRLIK (WEIGHT)	4,192 kg/m	7,657 kg/m	6,652 kg/m	4,409 kg/m
ÇİZİM (DRAWING)				

Nr		L m	KESİM ÖLÇÜSÜ CUTTING SIZE	AKS. KODU ACS. CODE
MT65 F 01	11227	25 L 35 (10076)	25,7 mm	281 L 35
	11226	25 L 35 (10076)	8,7 mm	252 L 35
MT65 F 02	11225	25 L 36 (2397)	25,6 mm	276 L 36
	11224	25 L 36 (2397)	8,6 mm	138 L 36
MT65 DF 01	11239	25 L 32 (2430)	28,1 mm	126 L 32
	11238	25 L 32 (2430)	6,1 mm	127 L 32
MT65 DF 02	11236	25 L 32 (2430)	28,1 mm	126 L 32
	11237	25 L 32 (2430)	6,1 mm	127 L 32
MT65 CF 01	11227	25 L 35 (10076)	25,7 mm	281 L 35
	11240	25 L 35 (10076)	17,4 mm	282 L 35
MT65 V 01	11223	25 L 35 (10076)	32,0 mm	279 L 35
	11222	25 L 35 (10076)	6,9 mm	280 L 35
MT65 V 02	11221	25 L 36 (2397)	31,9 mm	274 L 36
	11220	25 L 36 (2397)	6,8 mm	275 L 36
MT65 V 03	11219	25 L 03 (2021)	31,9 mm	274 L 03
	11218	25 L 03 (2021)	6,8 mm	275 L 03
MT65 V 05	11345	25 L 51 (10887)	31,9 mm	274 L 51
	11220	25 L 36 (2397)	6,8 mm	275 L 36
MT65 V 06	11346	25 L 29 (10543)	31,9 mm	274 L 29
	11218	25 L 03 (2021)	6,9 mm	280 L 03
MT65 DV 01	11235	25 L 26 (10540)	28,1 mm	126 L 26
	11234	25 L 32 (2430)	6,1 mm	127 L 32
MT65 DV 02	11233	25 L 26 (10540)	20,0 mm	277 L 26
	11232	25 L 44 (10786)	6,1 mm	127 L 44
MT65 CV 01	11223	25 L 35 (10076)	32,0 mm	279 L 35
	11241	25 L 35 (10076)	6,9 mm	280 L 35

Nr		L m	KESİM ÖLÇÜSÜ CUTTING SIZE	AKS. KODU ACS. CODE
MT65 CV 02	11221	25 L 36 (2397)	31,9 mm	274 L 36
	11267	25 L 36 (2397)	6,8 mm	275 L 36
MT65 CDV 01	11383	25 L 26 (10540)	31,6 mm	171 L 26
	11382	25 L 26 (10540)	6,4 mm	168 L 26
MT65 M 01	11227	25 L 35 (10076)	25,7 mm	281 L 35
	11231	25 L 35 (10076)	8,7 mm	252 L 35
MT65 M 02	11225	25 L 36 (2397)	25,6 mm	276 L 36
	11230	25 L 36 (2397)	8,6 mm	138 L 36
MT65 M 03	11229	25 L 03 (2021)	25,6 mm	276 L 03
	11228	25 L 03 (2021)	8,6 mm	138 L 03
MT65 M 04	11217	25 L 35 (10076)	32,0 mm	279 L 35
	11216	25 L 35 (10076)	12,4 mm	278 L 35
MT65 M 05	11215	25 L 36 (2397)	31,9 mm	274 L 36
	11214	25 L 36 (2397)	12,3 mm	273 L 36



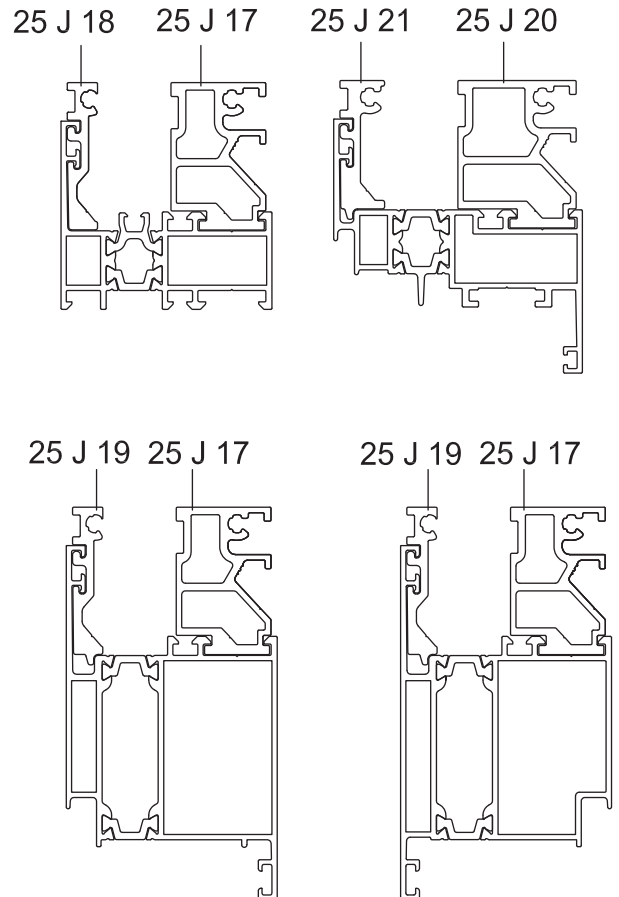
ORTA KAYIT BAĞLANTILAR (MULLION CONNECTION PIECES)

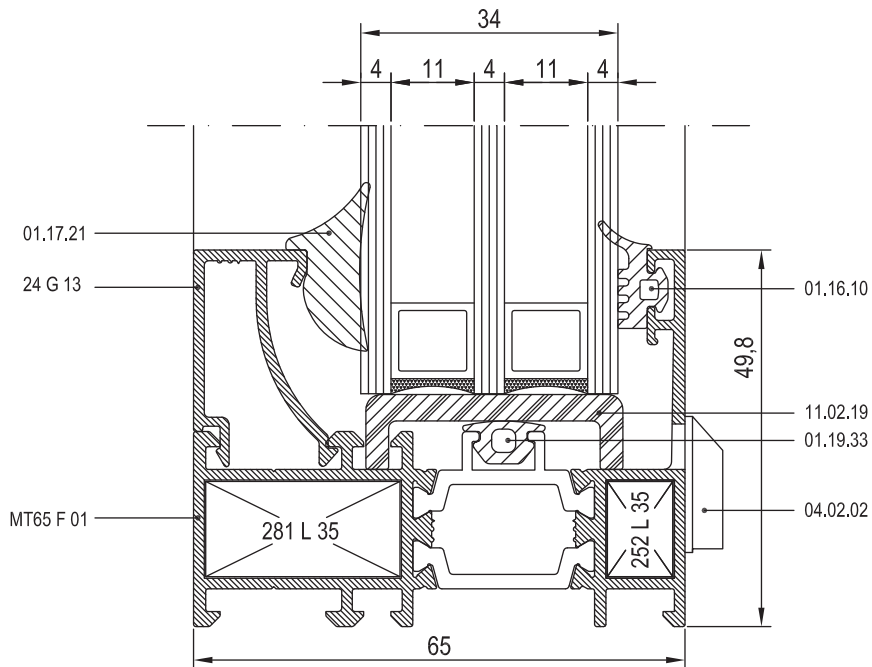
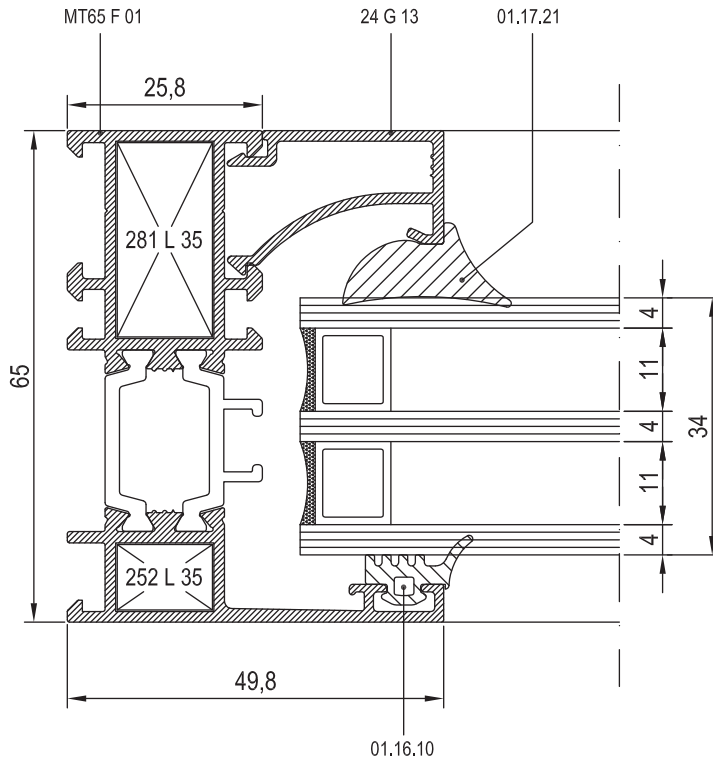
PROFİL KODU (PROFILE CODE)	25 J 17	25 J 18	25 J 19	25 J 20
FABRİKA KODU (FACTORY CODE)	11266	11265	11264	11263
AĞIRLIK (WEIGHT)	0,937 kg/m	0,438 kg/m	0,458 kg/m	1,039 kg/m
ÇİZİM (DRAWING)				

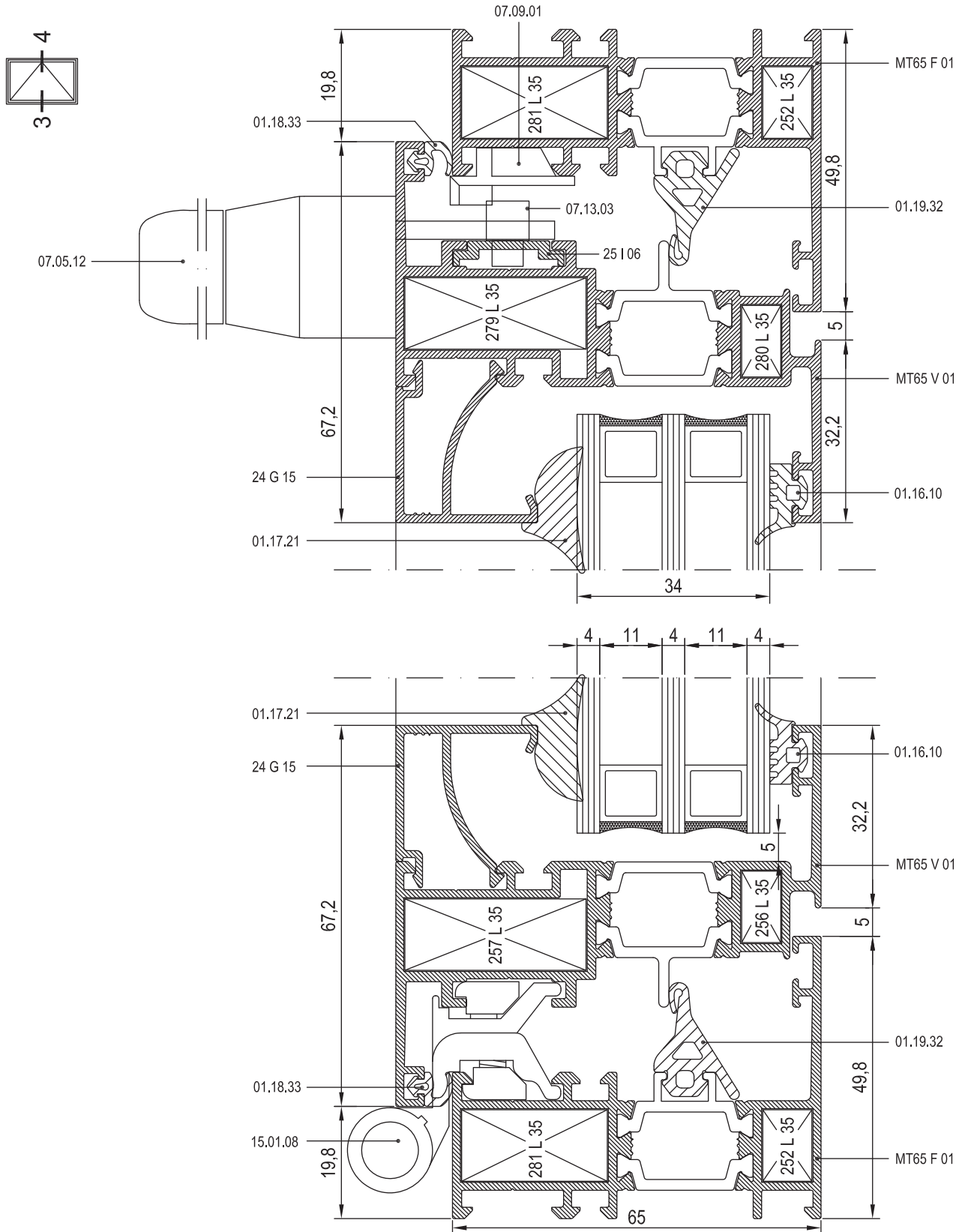
PROFİL KODU (PROFILE CODE)	25 J 21	25 J 22	25 J 23	
FABRİKA KODU (FACTORY CODE)	11262	11277	11276	
AĞIRLIK (WEIGHT)	0,531 kg/m	0,446 kg/m	0,979 kg/m	
ÇİZİM (DRAWING)				

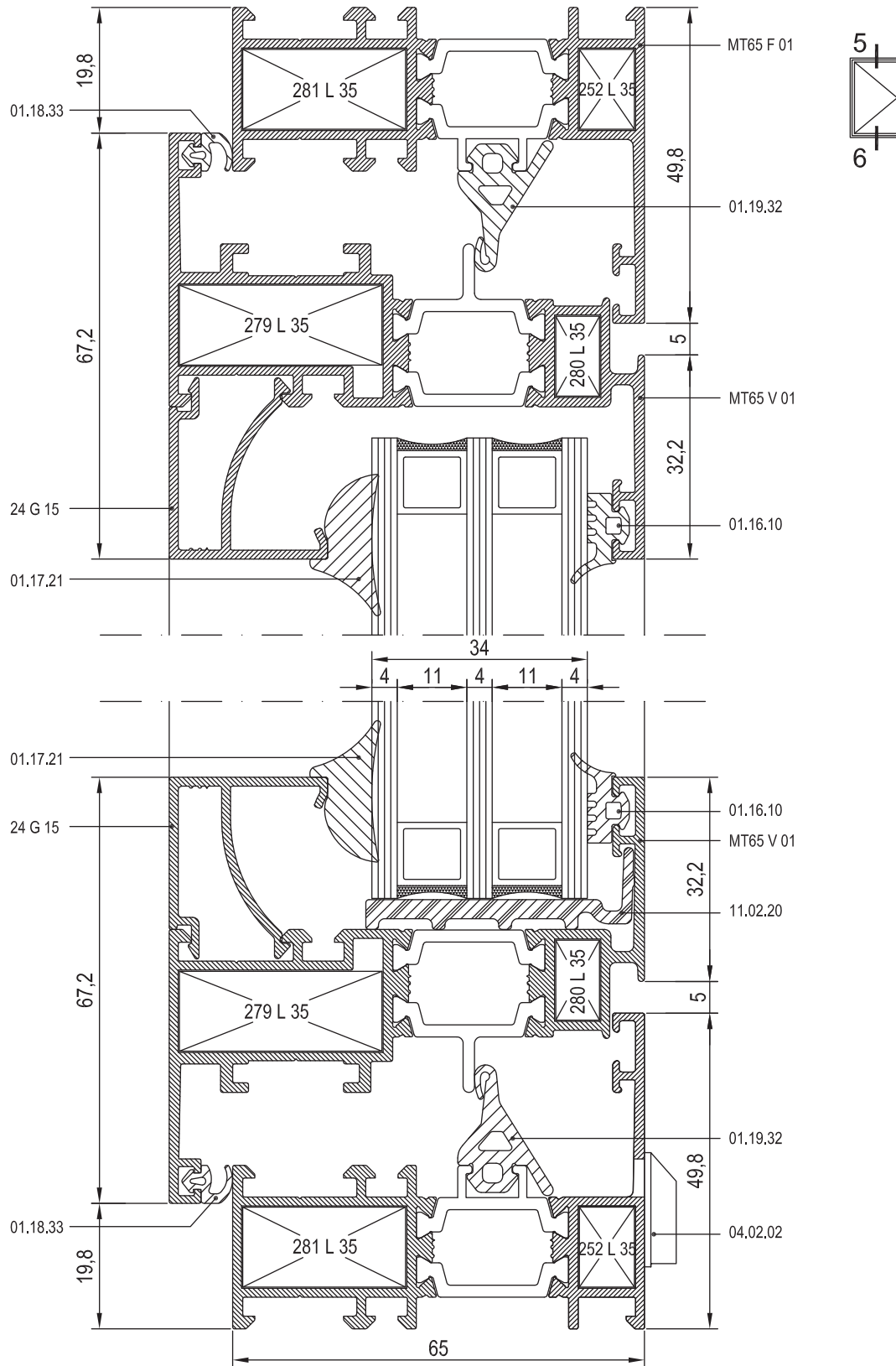
ORTA KAYIT BAĞLANTI (MULLION CONNECTION PIECE)

Nr		L m	KESİM ÖLÇÜSÜ CUTTING SIZE	AKS. KODU ACS. CODE				
MT65 M 01		← →	KESİM ÖLÇÜSÜ CUTTING SIZE	AKS. KODU ACS. CODE	11227	25 J 17 (11266)	12,6 mm	286 J 17
					11231	25 J 18 (11265)	12,6 mm	286 J 18
MT65 M 02		← →	KESİM ÖLÇÜSÜ CUTTING SIZE	AKS. KODU ACS. CODE	11225	25 J 17 (11266)	23,7 mm	285 J 17
					11230	25 J 18 (11265)	23,7 mm	285 J 18
MT65 M 03		← →	KESİM ÖLÇÜSÜ CUTTING SIZE	AKS. KODU ACS. CODE	11229	25 J 17 (11266)	36,4 mm	163 J 17
					11228	25 J 18 (11265)	36,4 mm	163 J 18
MT65 M 07		← →	KESİM ÖLÇÜSÜ CUTTING SIZE	AKS. KODU ACS. CODE	11225	25 J 17 (11266)	23,7 mm	285 J 17
					11381	25 J 18 (11265)	23,7 mm	285 J 18
MT65 M 01		← →	KESİM ÖLÇÜSÜ CUTTING SIZE	AKS. KODU ACS. CODE	11227	25 J 17 (11266)	12,6 mm	286 J 17
					11231	25 J 19 (11264)	12,6 mm	286 J 19
MT65 M 02		← →	KESİM ÖLÇÜSÜ CUTTING SIZE	AKS. KODU ACS. CODE	11225	25 J 17 (11266)	23,7 mm	285 J 17
					11230	25 J 19 (11264)	23,7 mm	285 J 19
MT65 M 03		← →	KESİM ÖLÇÜSÜ CUTTING SIZE	AKS. KODU ACS. CODE	11229	25 J 17 (11266)	36,4 mm	163 J 17
					11228	25 J 19 (11264)	36,4 mm	163 J 19
MT65 M 04		← →	KESİM ÖLÇÜSÜ CUTTING SIZE	AKS. KODU ACS. CODE	11217	25 L 35 (10076)	32,0 mm	279 L 35
					11216	25 L 35 (10076)	12,4 mm	278 L 35
MT65 M 05		← →	KESİM ÖLÇÜSÜ CUTTING SIZE	AKS. KODU ACS. CODE	11215	25 L 36 (2397)	31,9 mm	274 L 36
					11214	25 L 36 (2397)	12,3 mm	273 L 36
MT65 K 01		← →	KESİM ÖLÇÜSÜ CUTTING SIZE	AKS. KODU ACS. CODE	11247	25 J 23 (11276)	67,6 mm	284 J 23
					11246	25 J 22 (11277)	62,5 mm	283 J 22









11

12

13

14

15

16

17

18

19

20



11

12

13

14

15

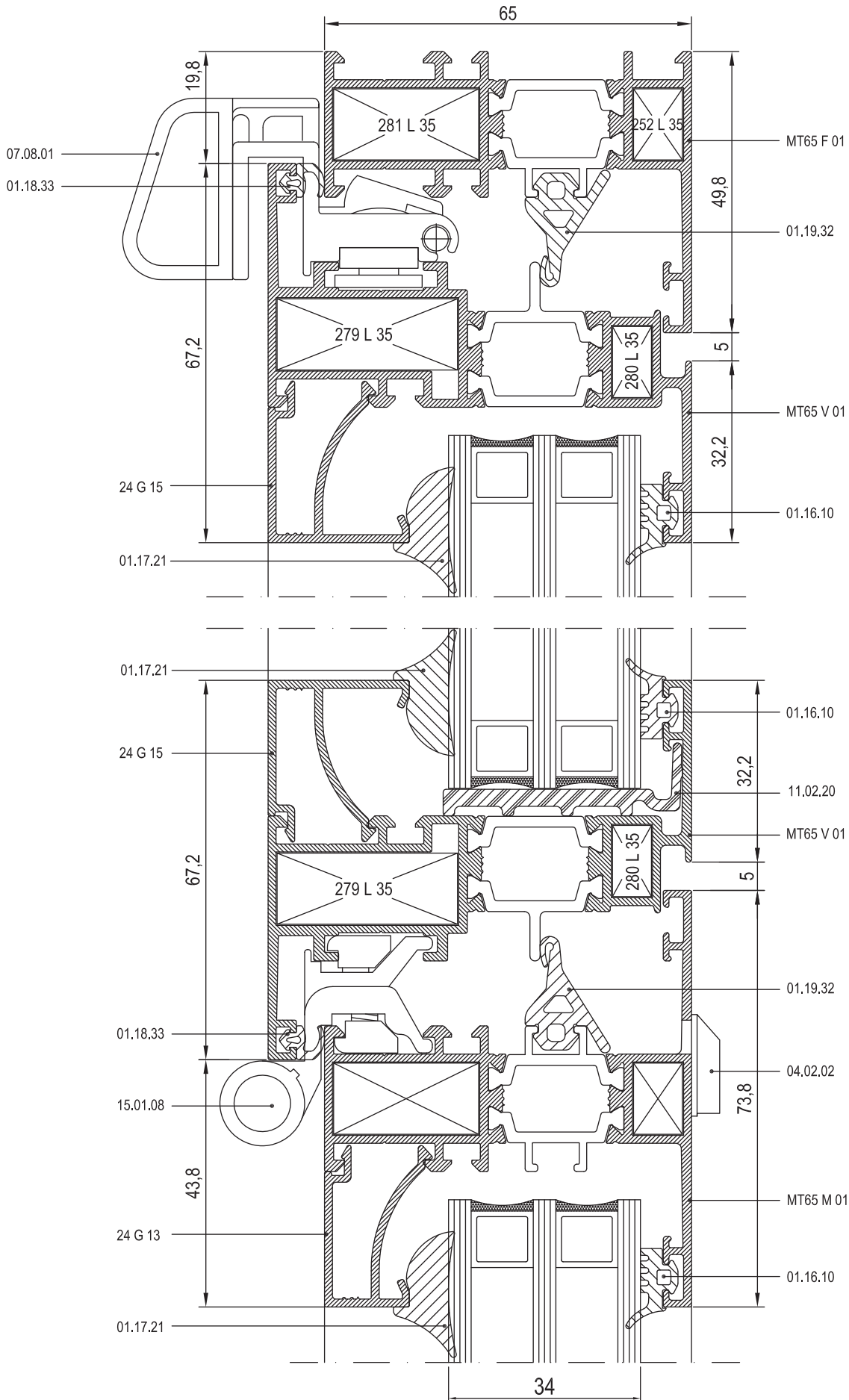
16

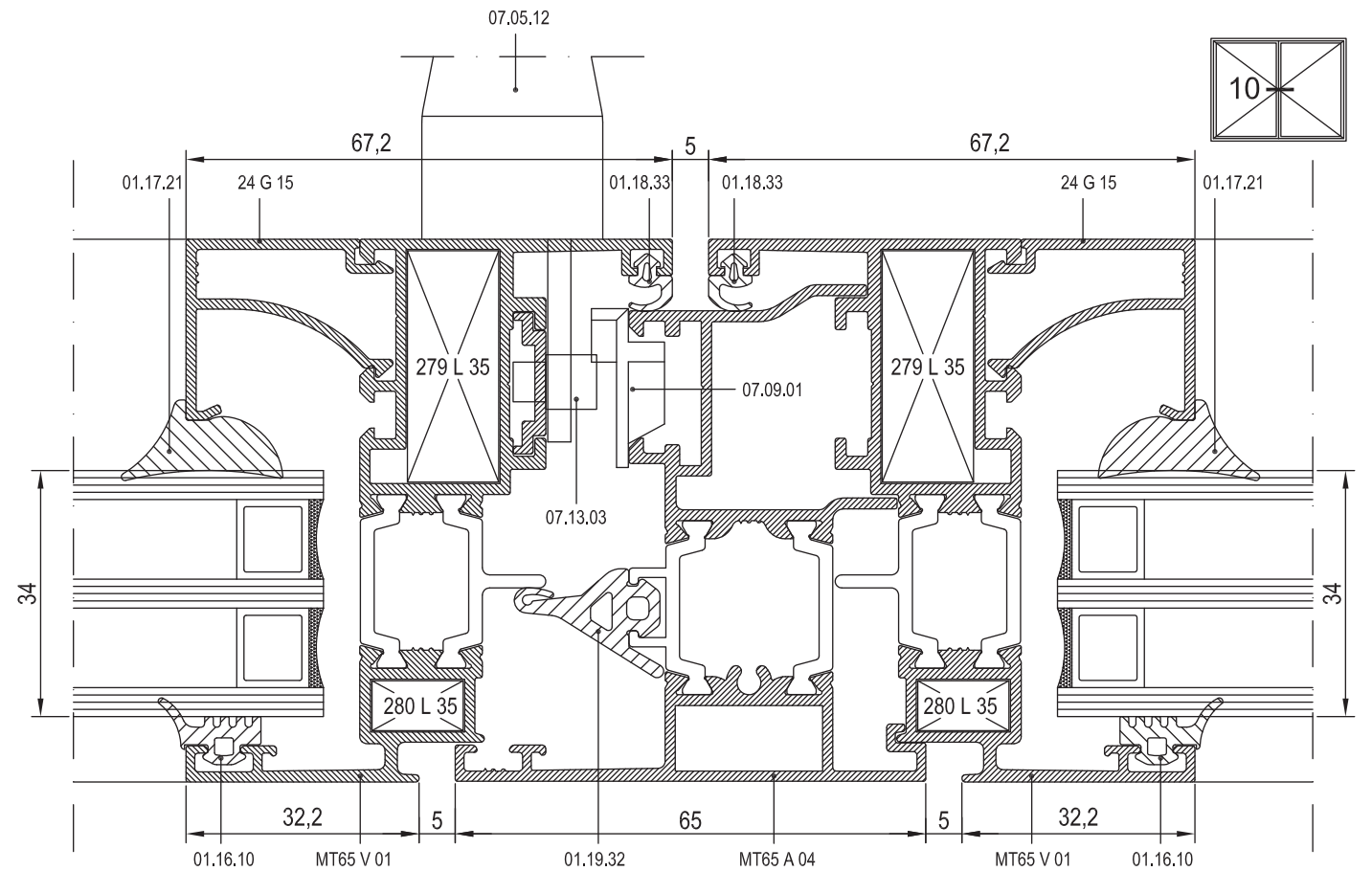
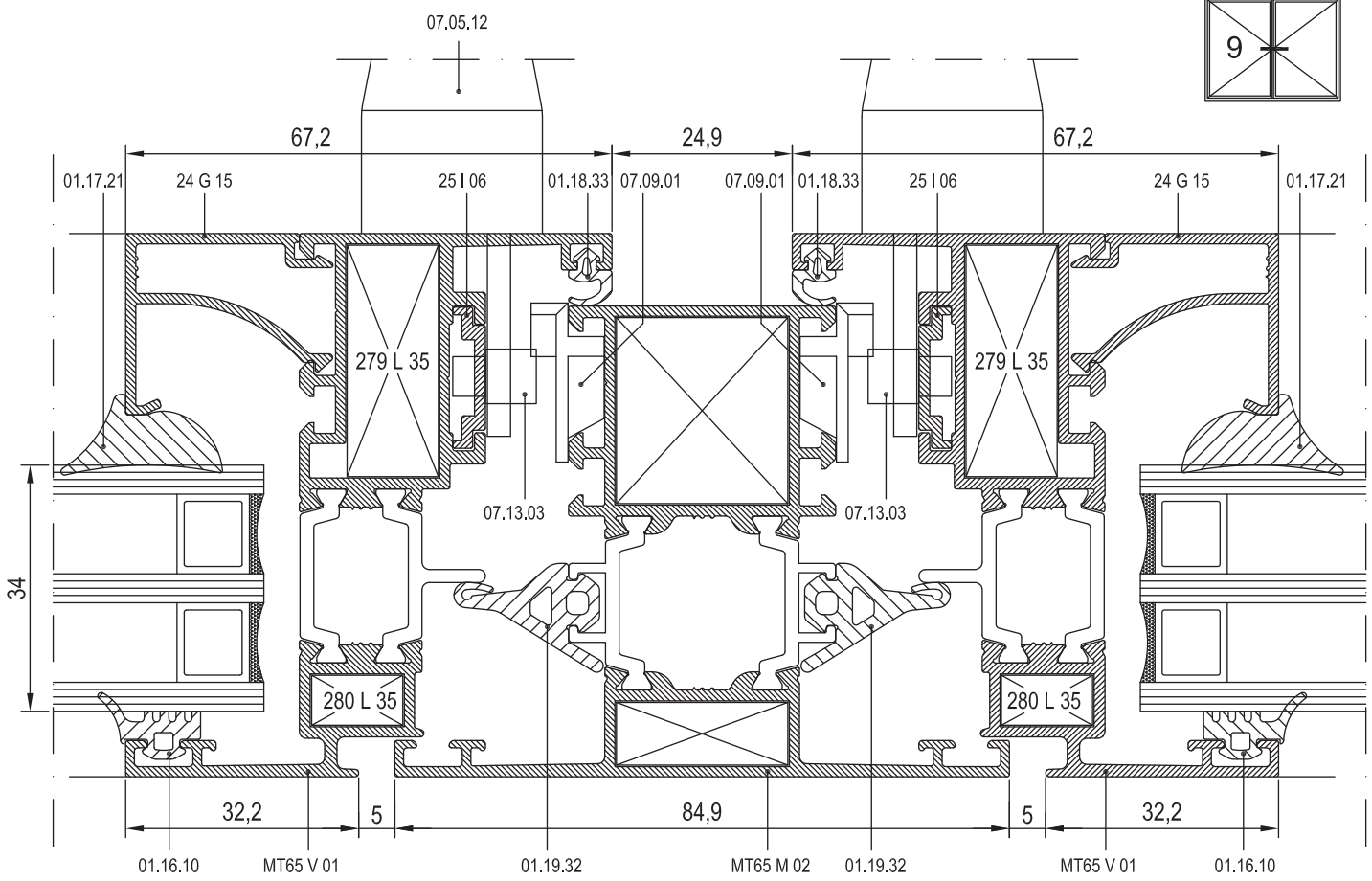
17

18

19

20





11

12

13

14

15

16

17

18

19

20



11

12

13

14

15

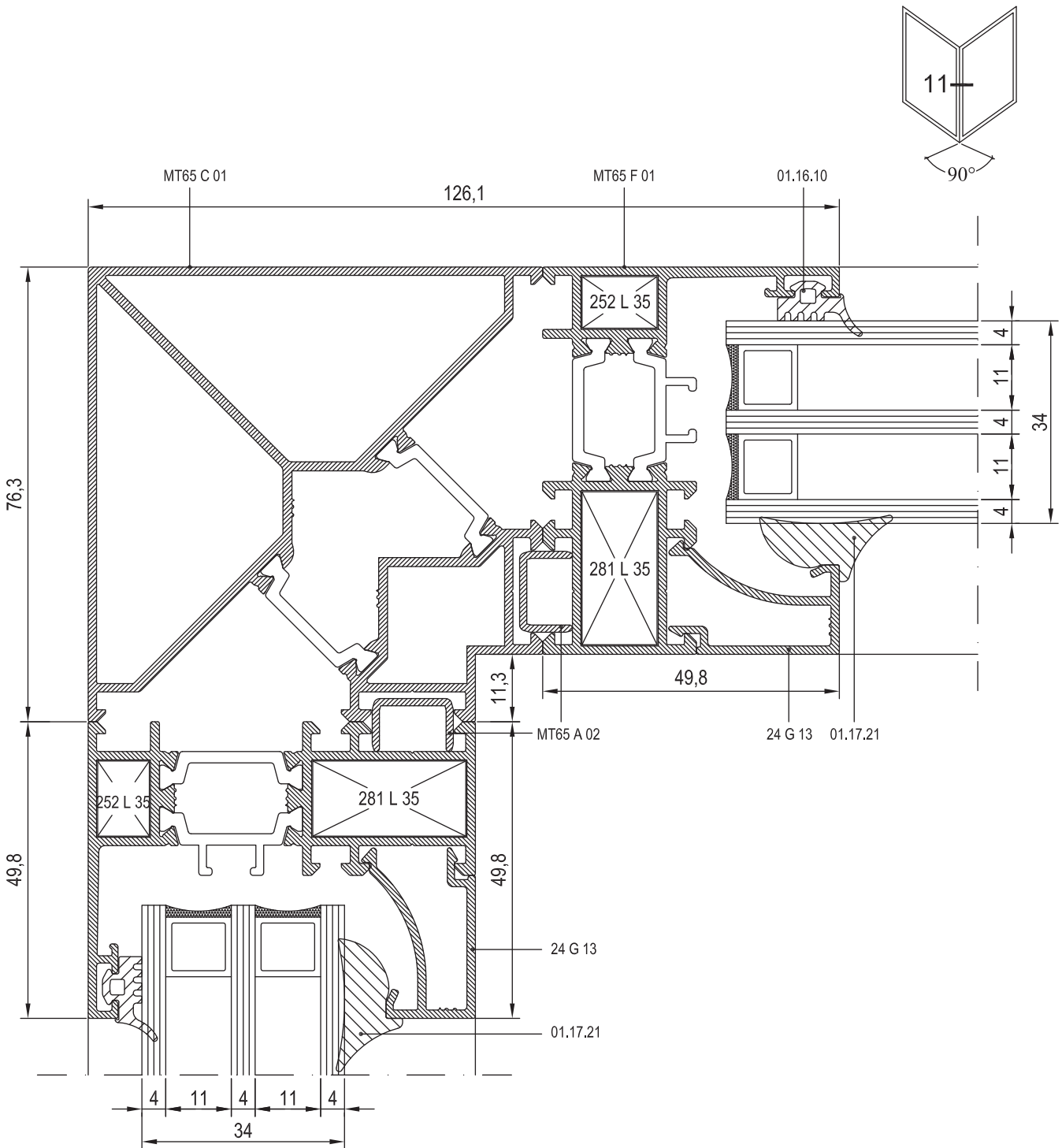
16

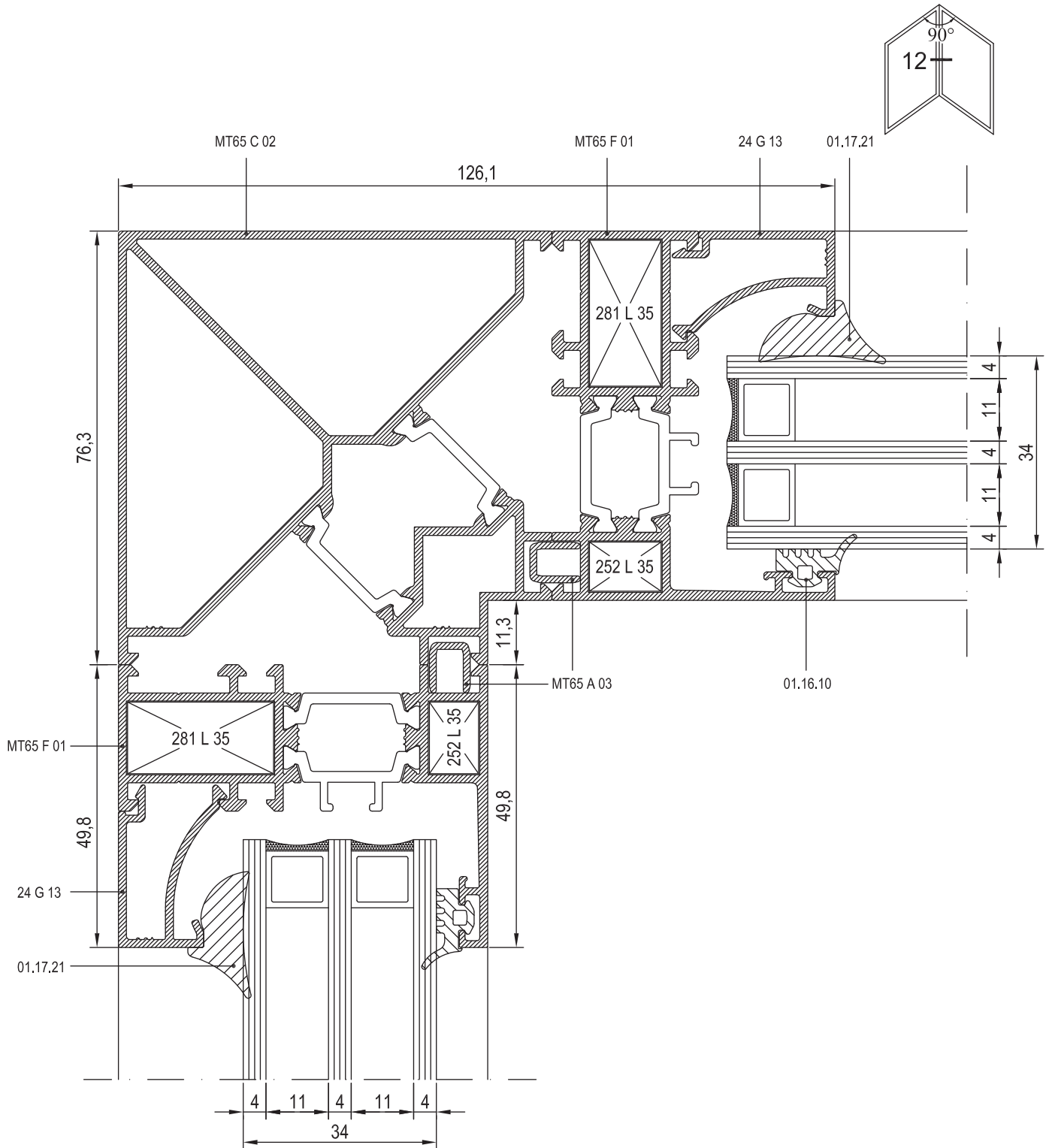
17

18

19

20





11

12

13

14

15

16

17

18

19

20



11

12

13

14

15

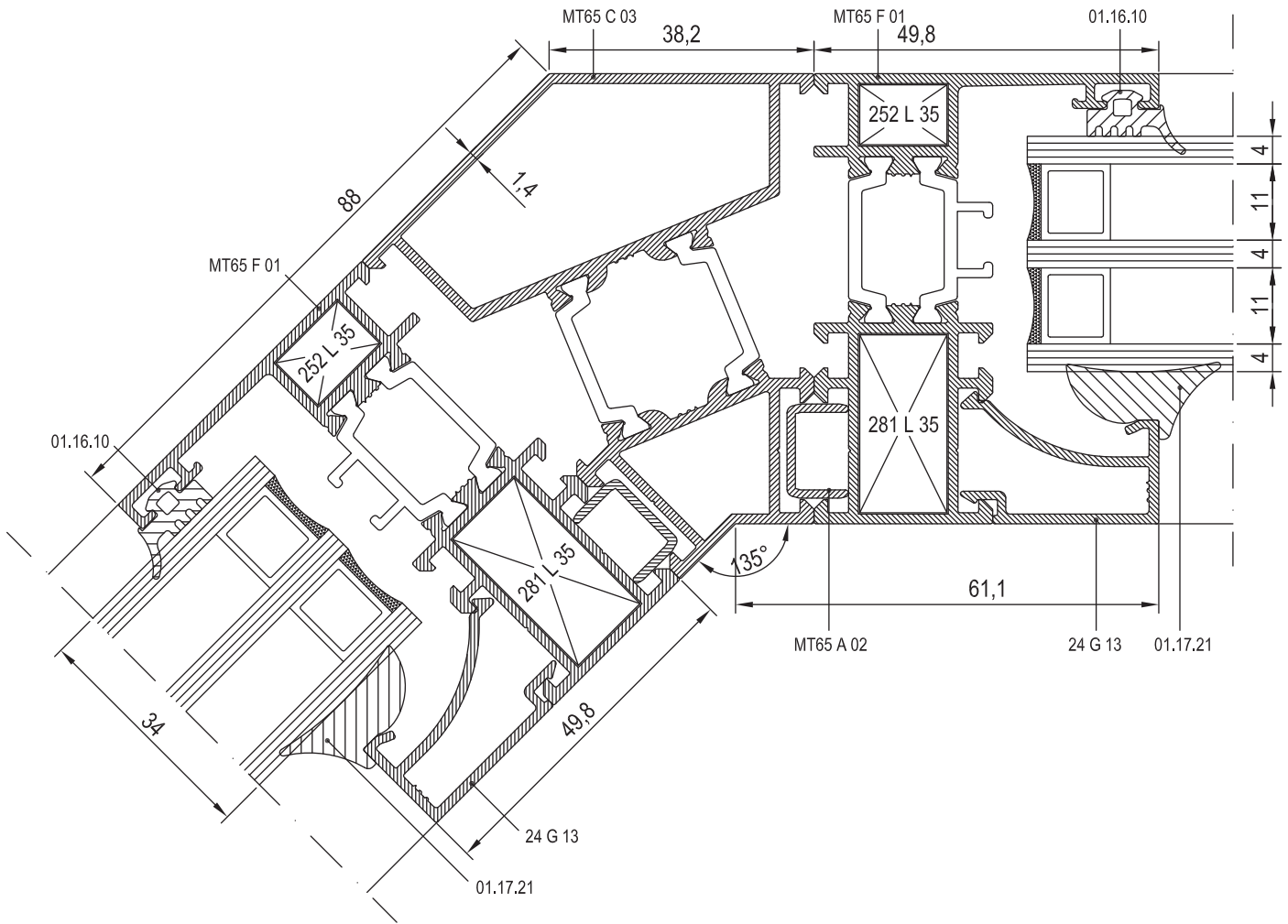
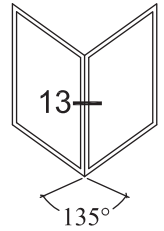
16

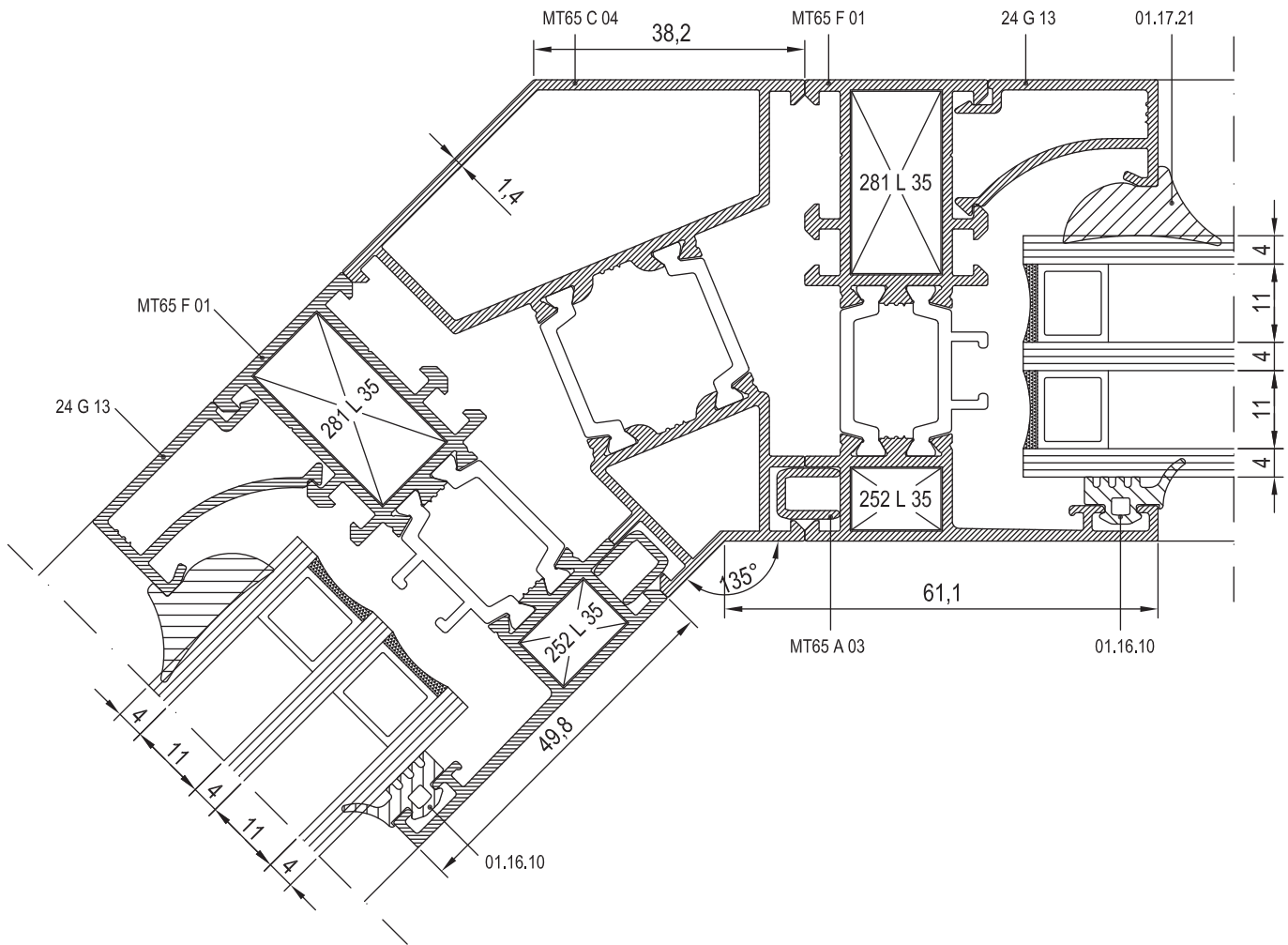
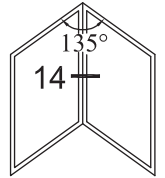
17

18

19

20





11

12

13

14

15

16

17

18

19

20



11

12

13

14

15

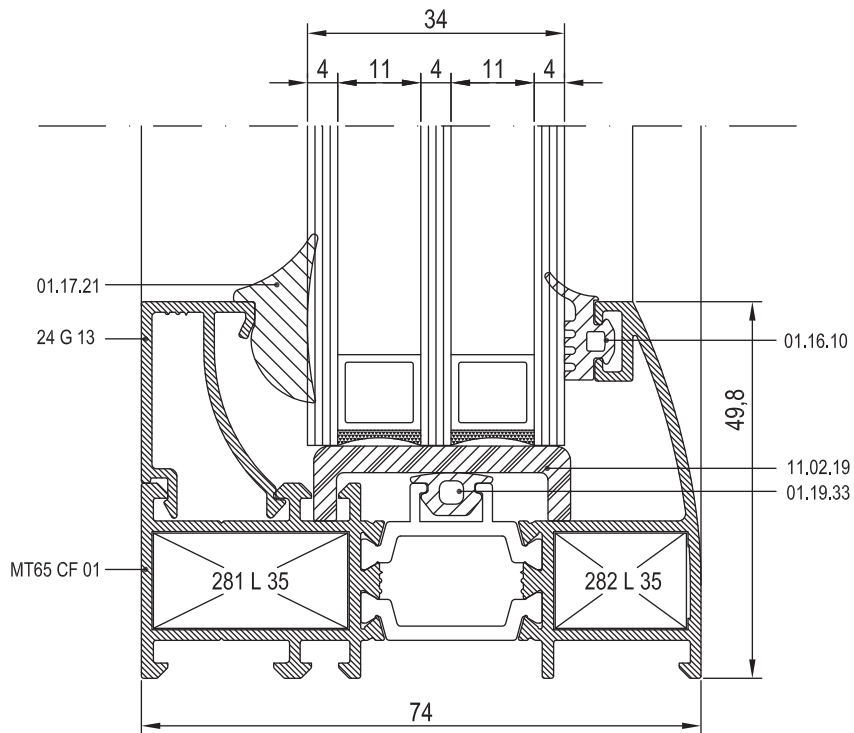
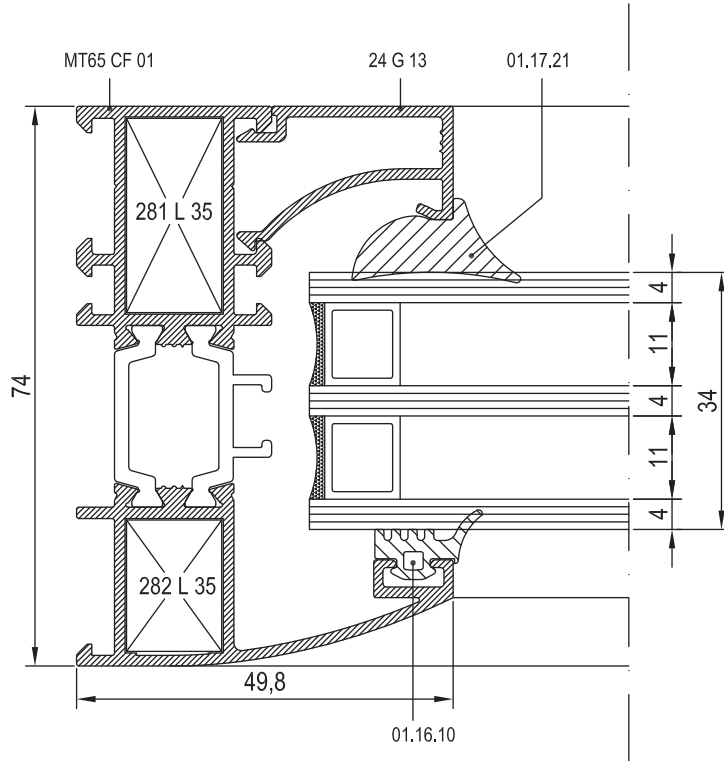
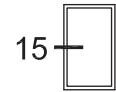
16

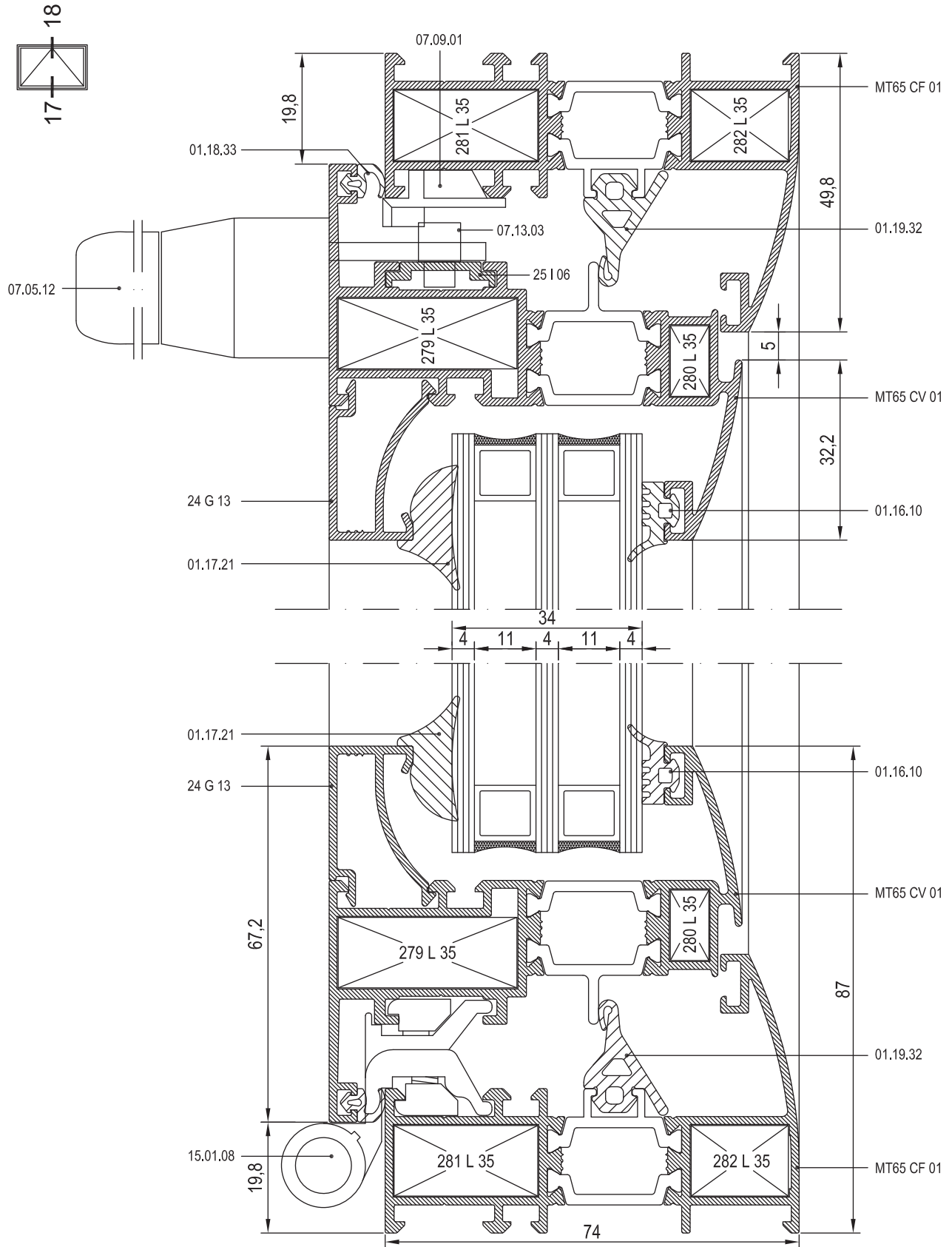
17

18

19

20





11

12

13

14

15

16

17

18

19

20



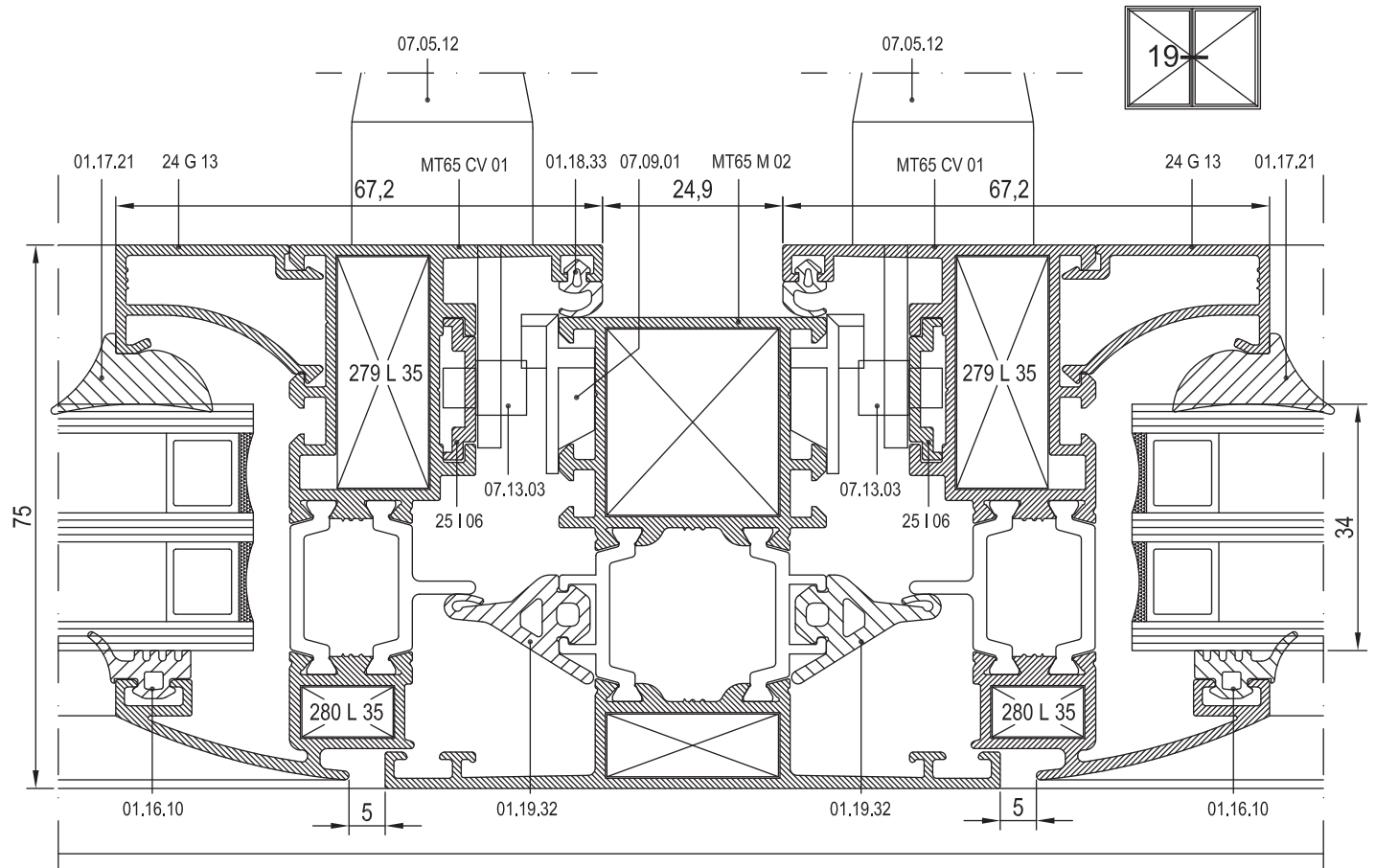
11

12

13

14

15



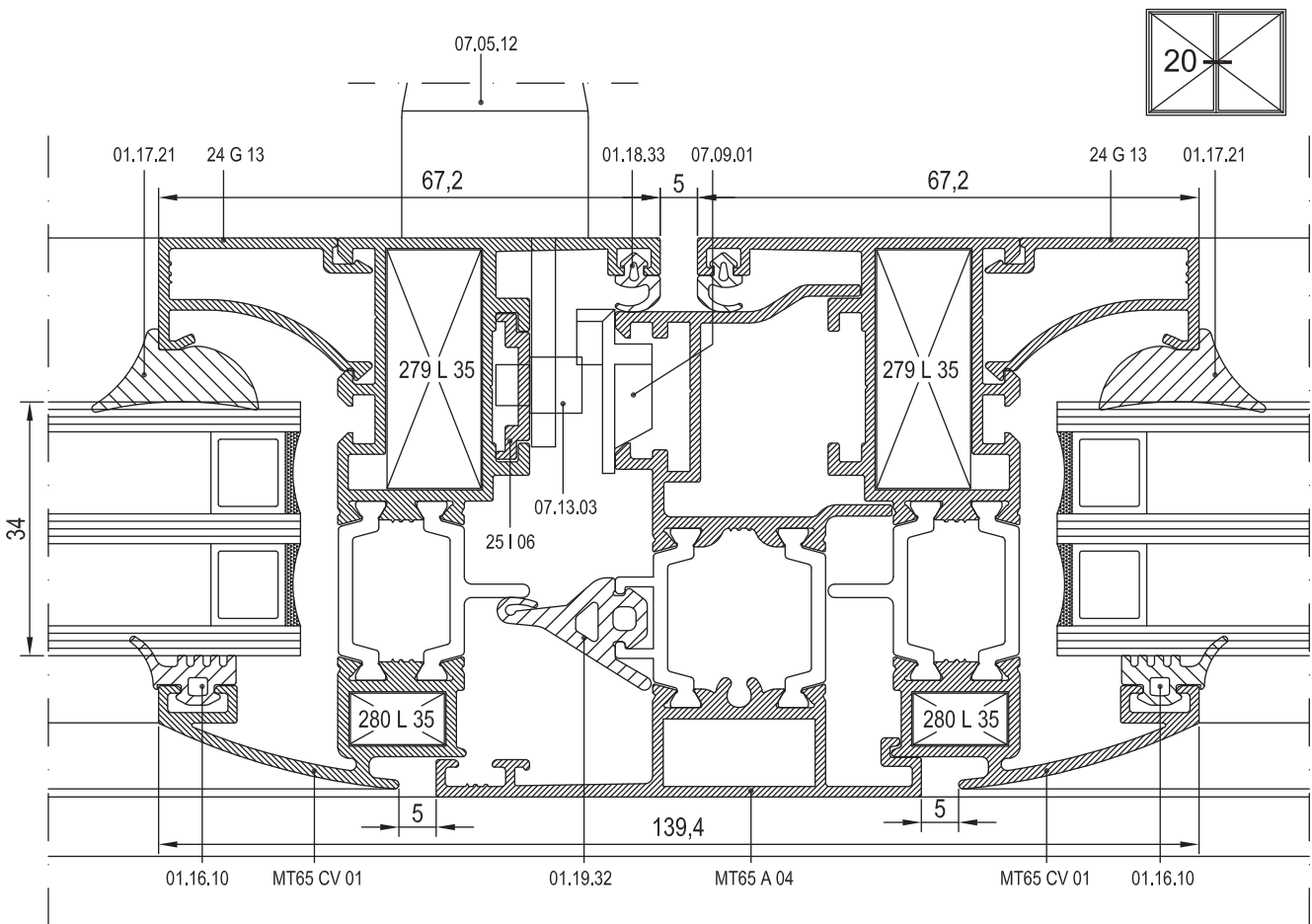
16

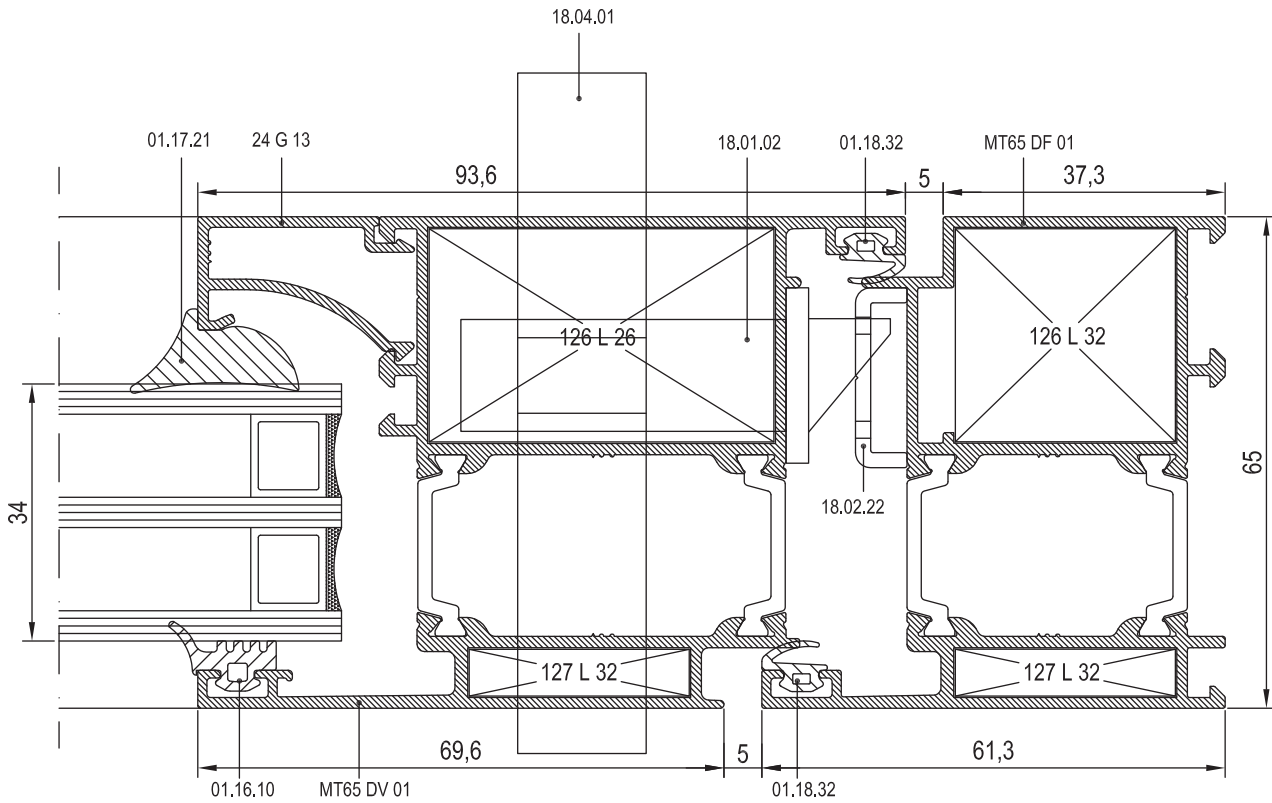
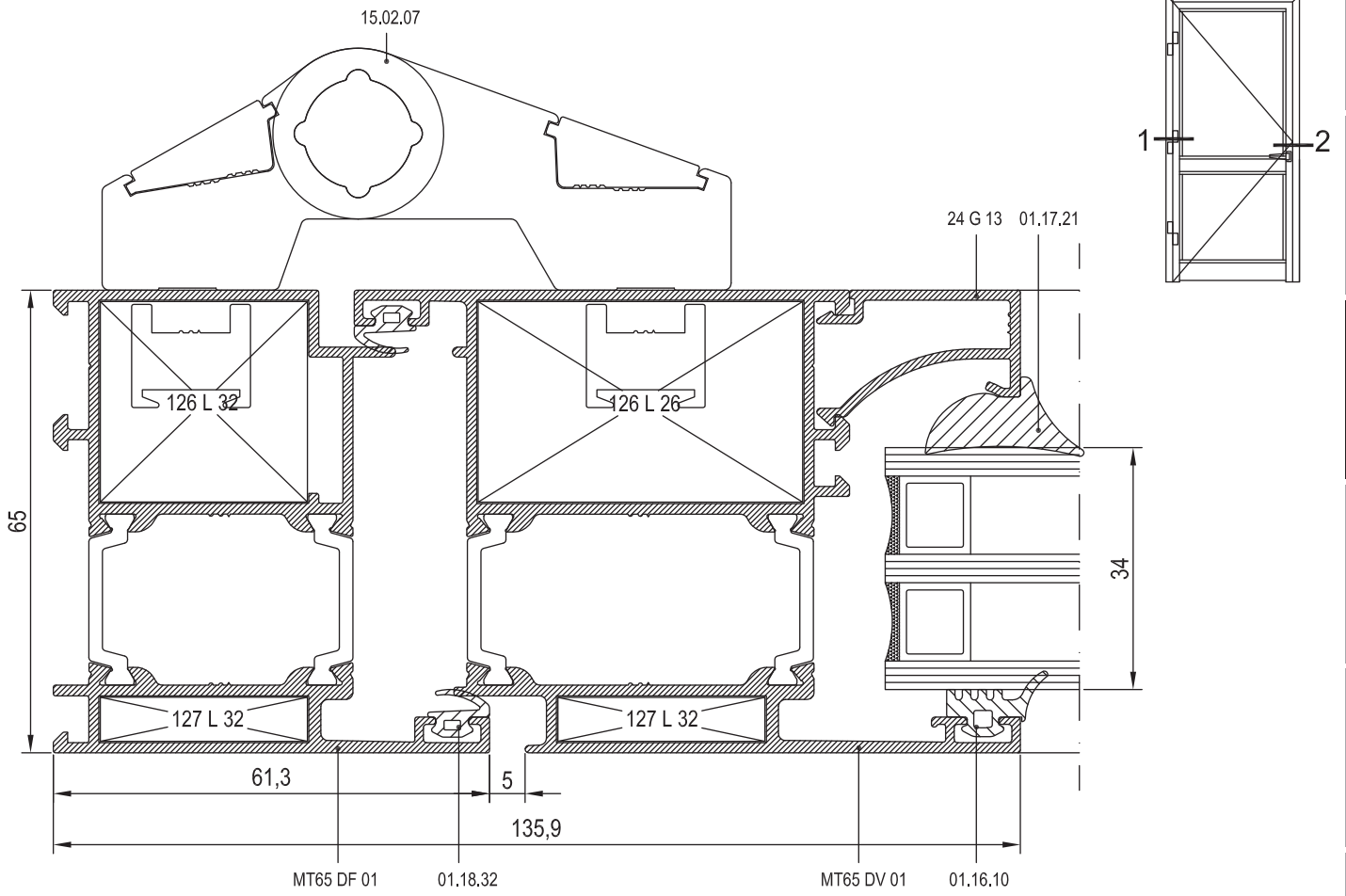
17

18

19

20





11

12

13

14

15

16

17

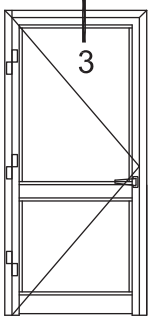
18

19

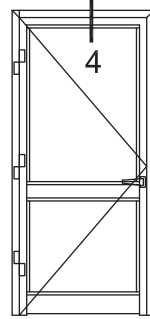
20



11



12

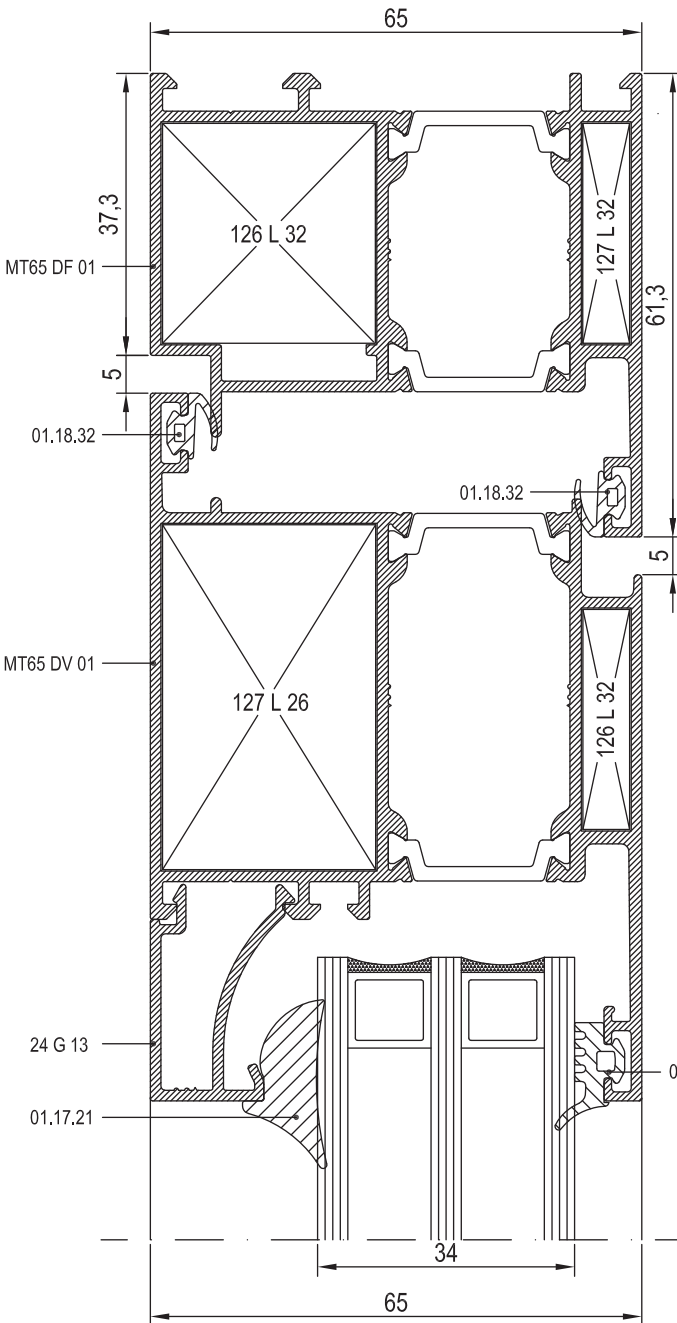


13

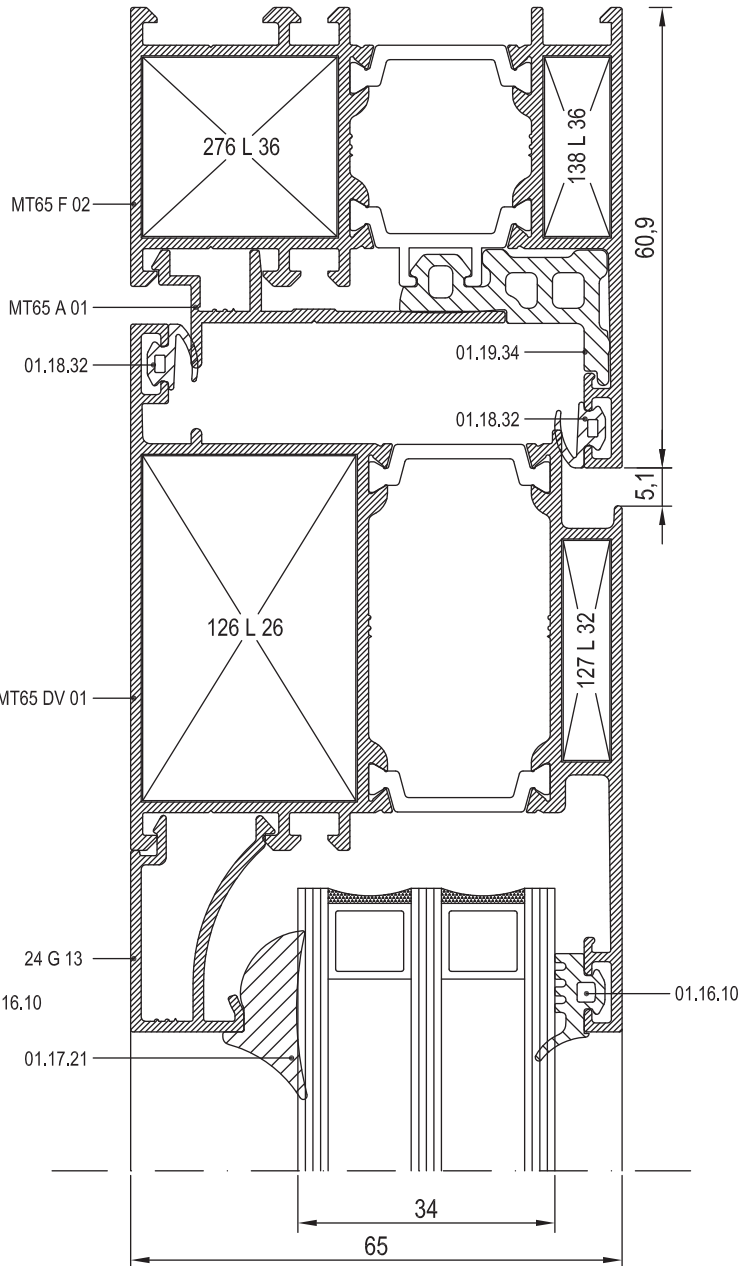
ALTERNATİF-1
ALTERNATIVE-1

ALTERNATİF-2
ALTERNATIVE-2

14



15

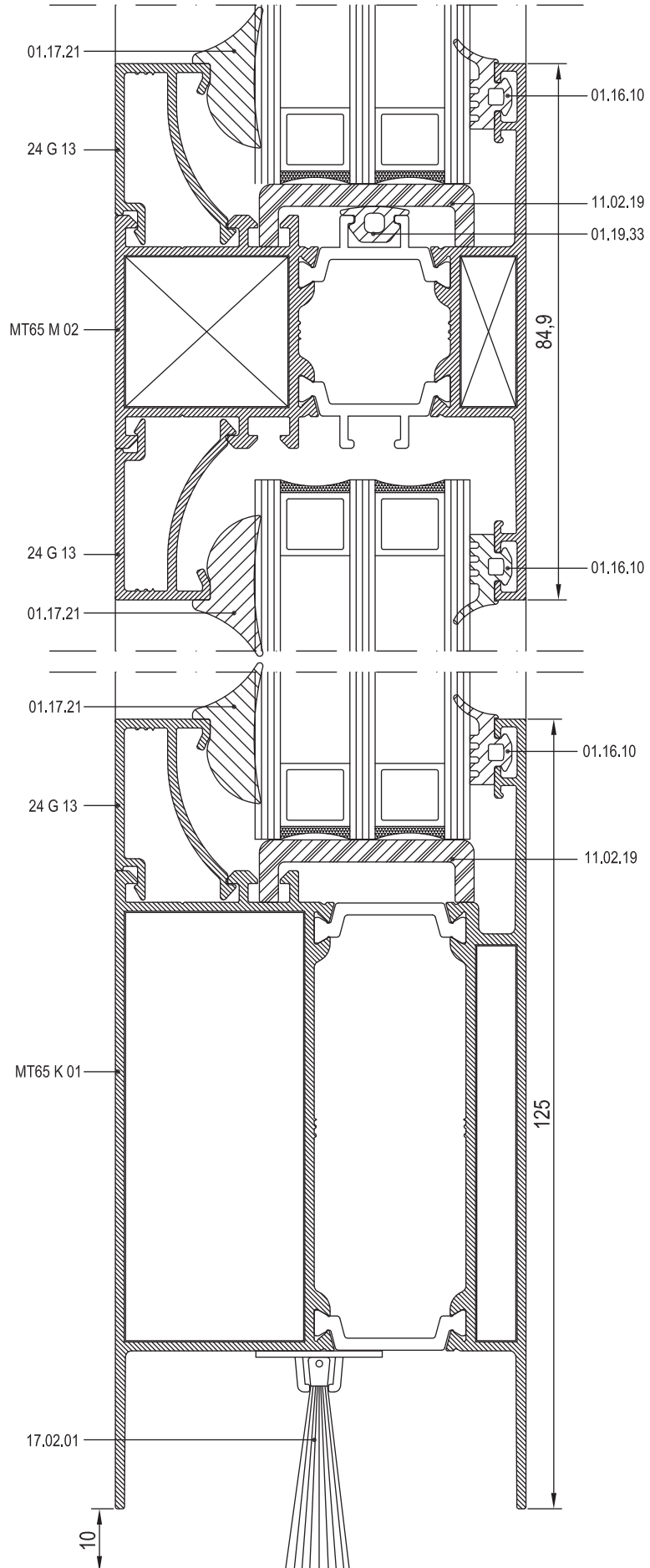
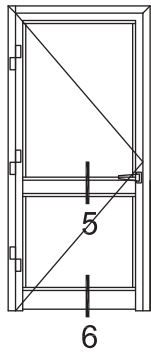


17

18

19

20



11

12

13

14

15

16

17

18

19

20



11

12

13

14

15

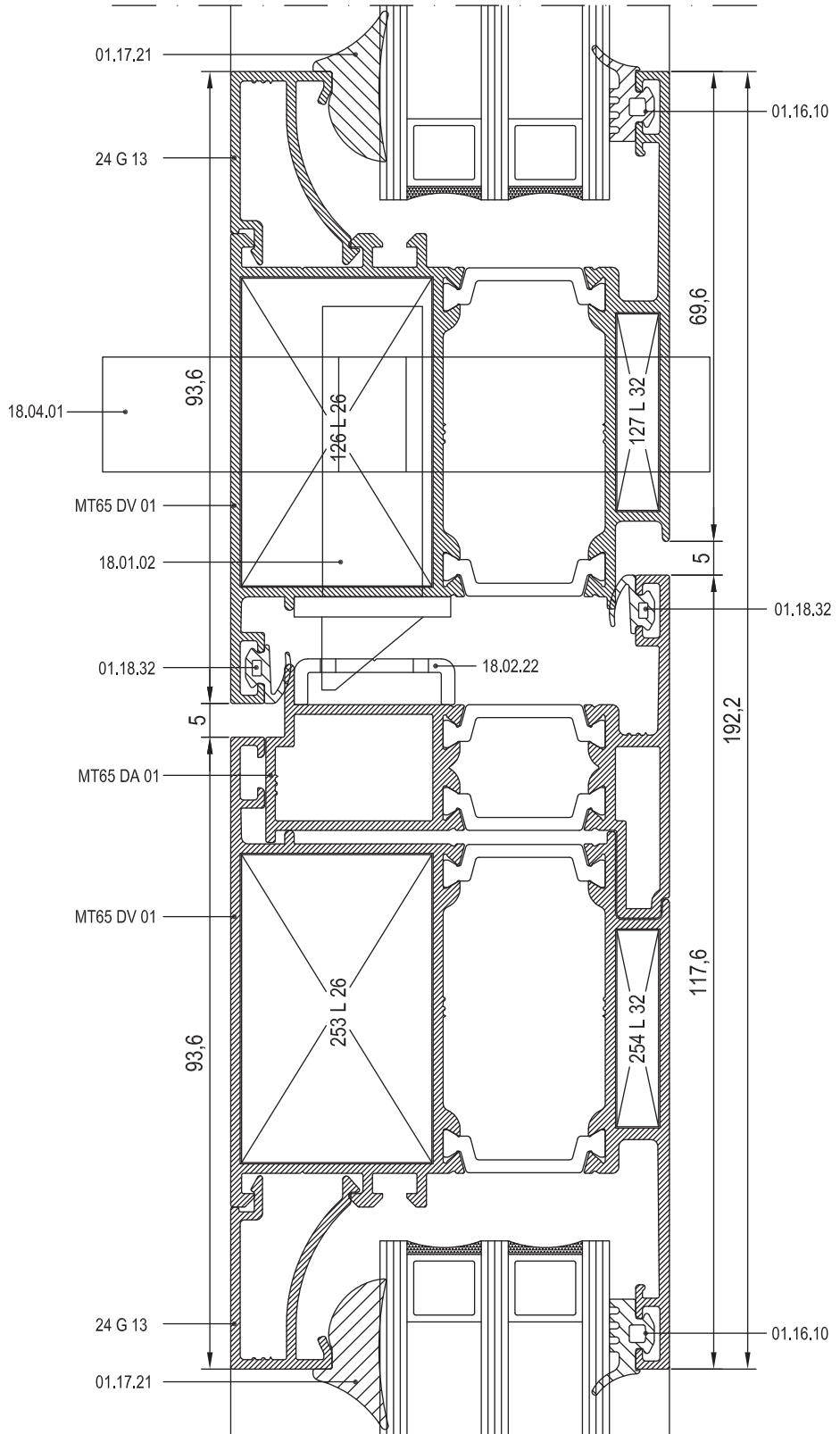
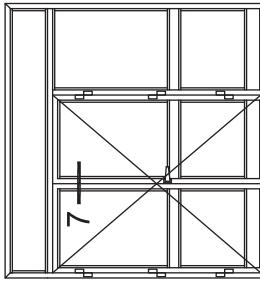
16

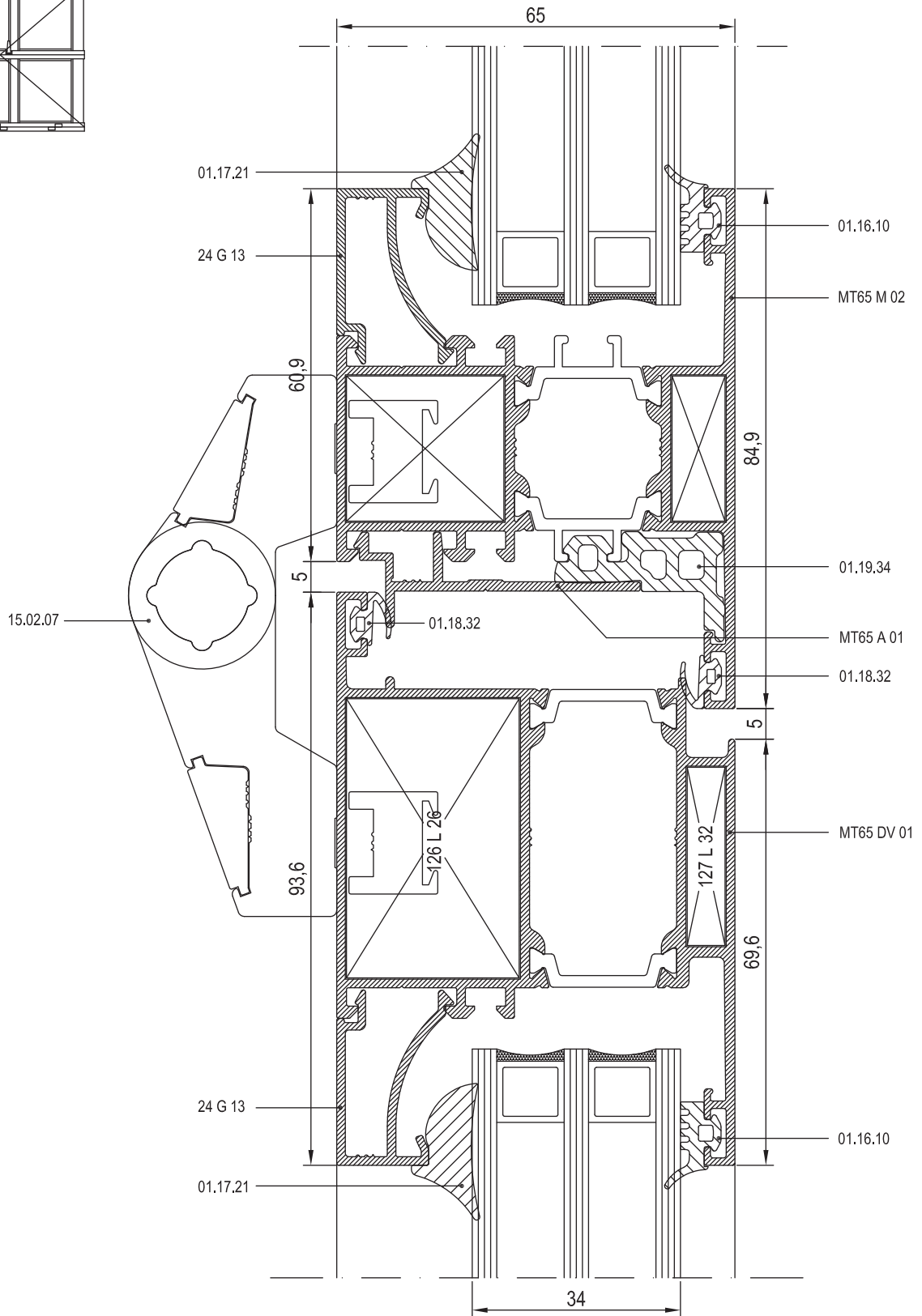
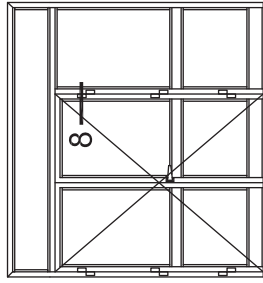
17

18

19

20





11

12

13

14

15

16

17

18

19

20



11

12

13

14

15

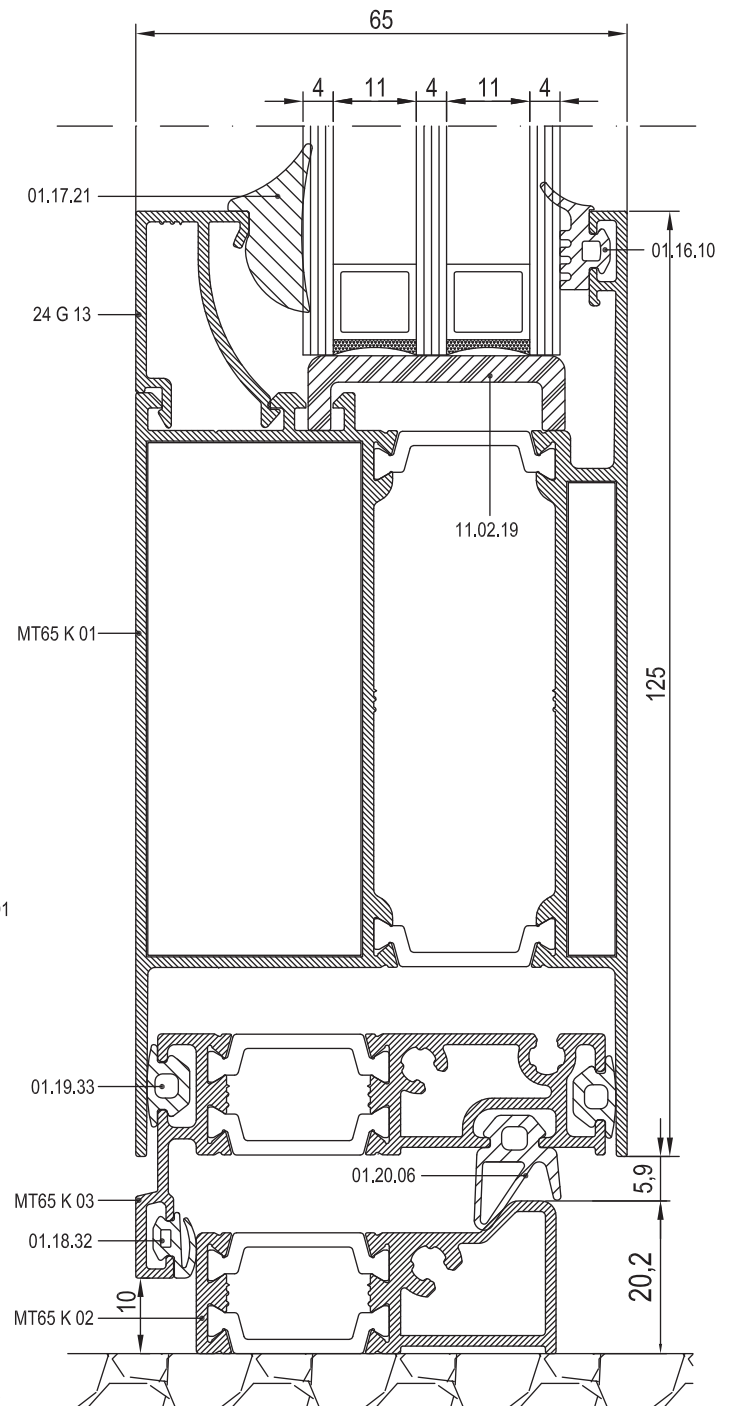
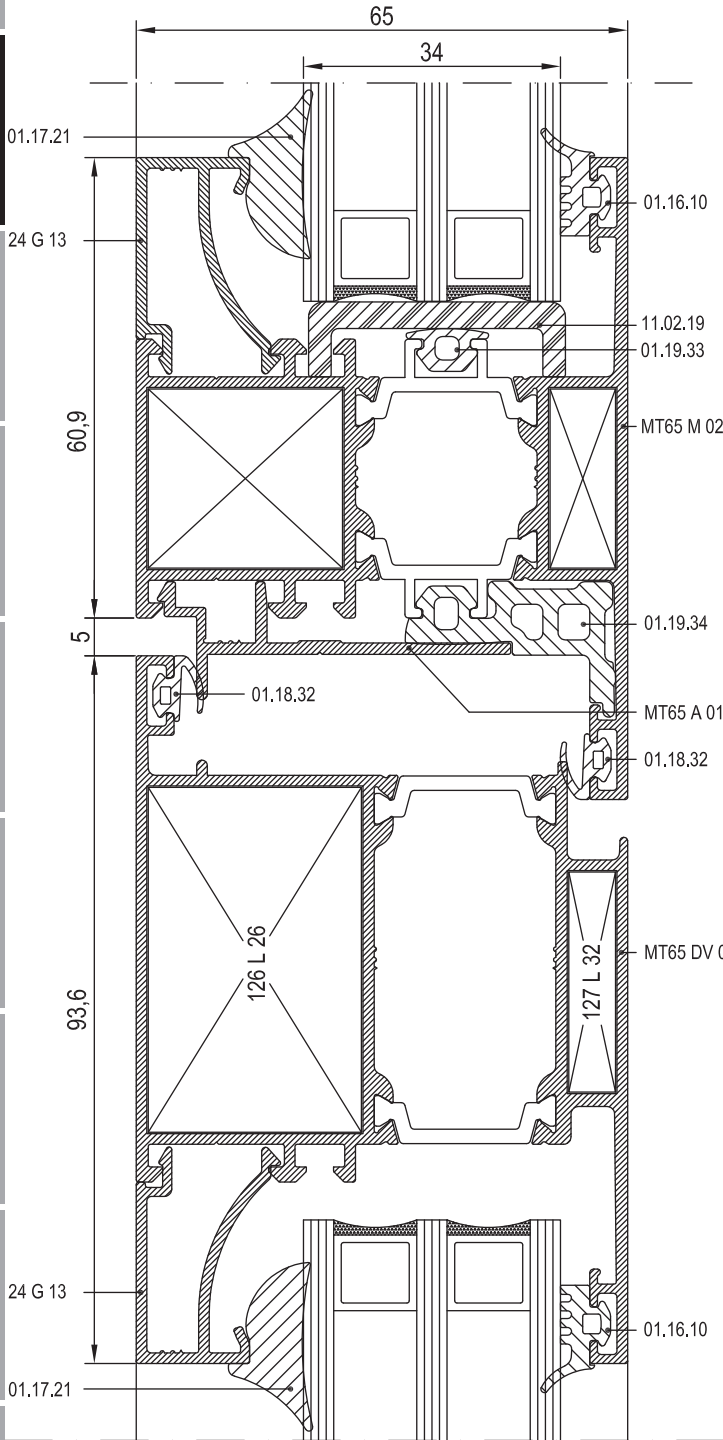
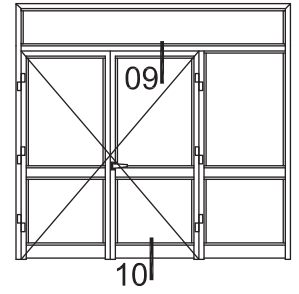
16

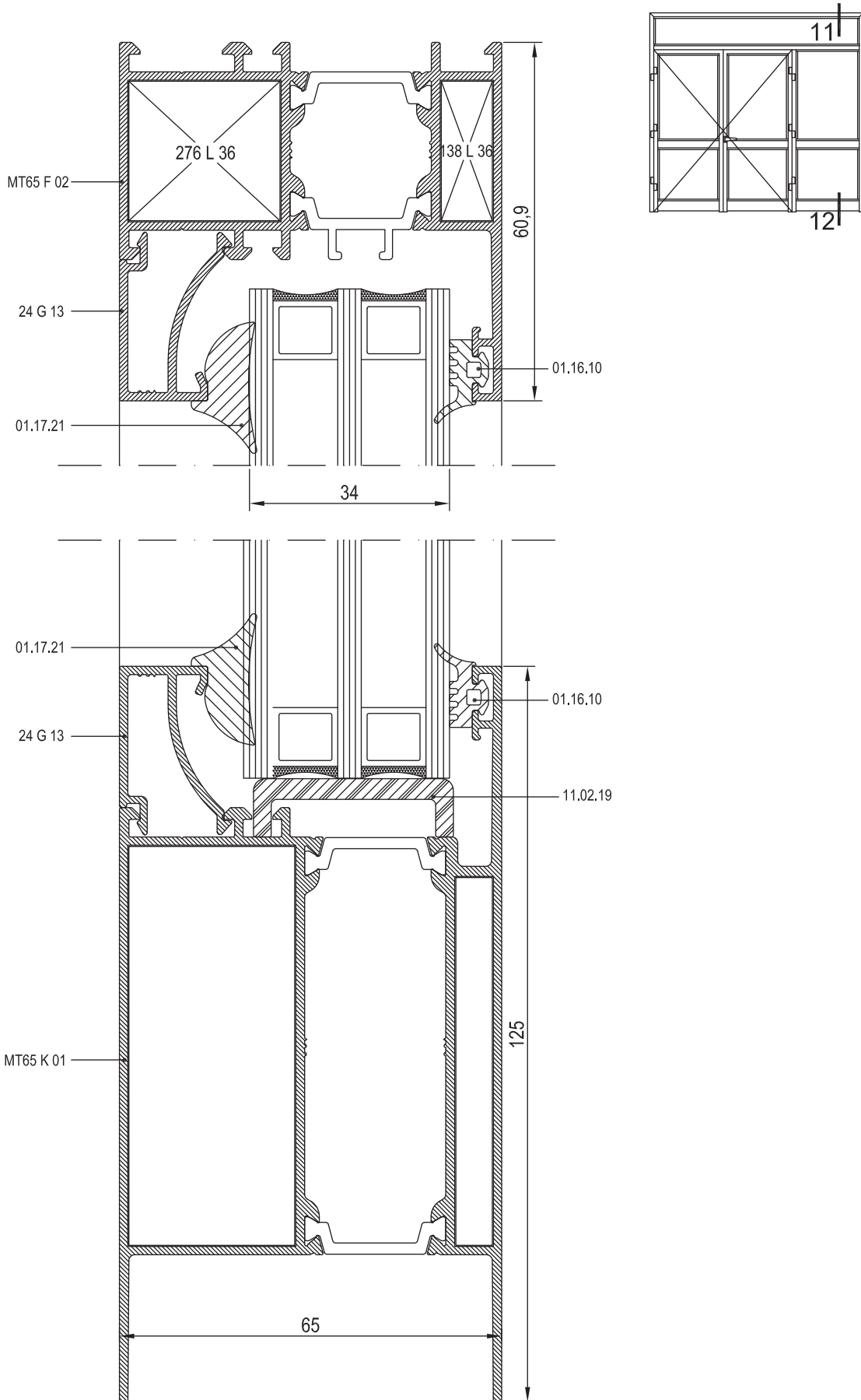
17

18

19

20





11

12

13

14

15

16

17

18

19

20



11

12

13

14

15

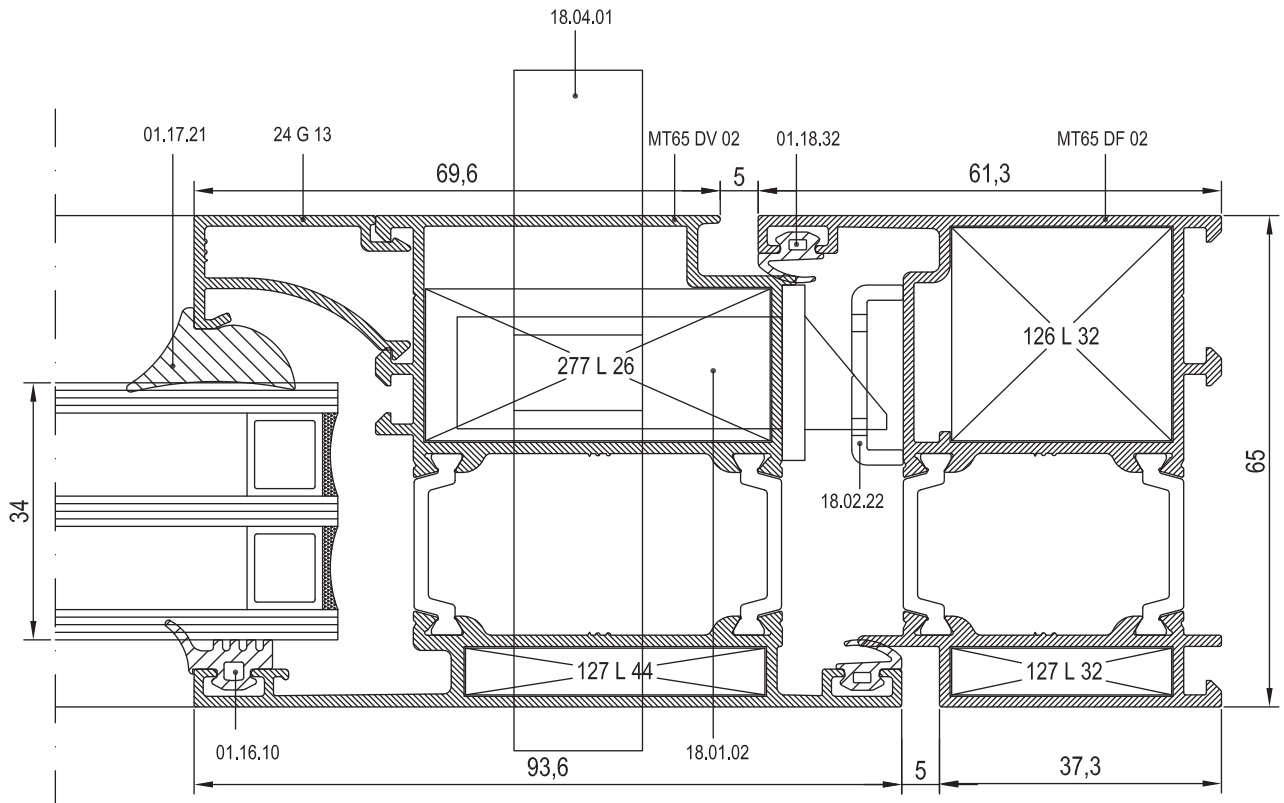
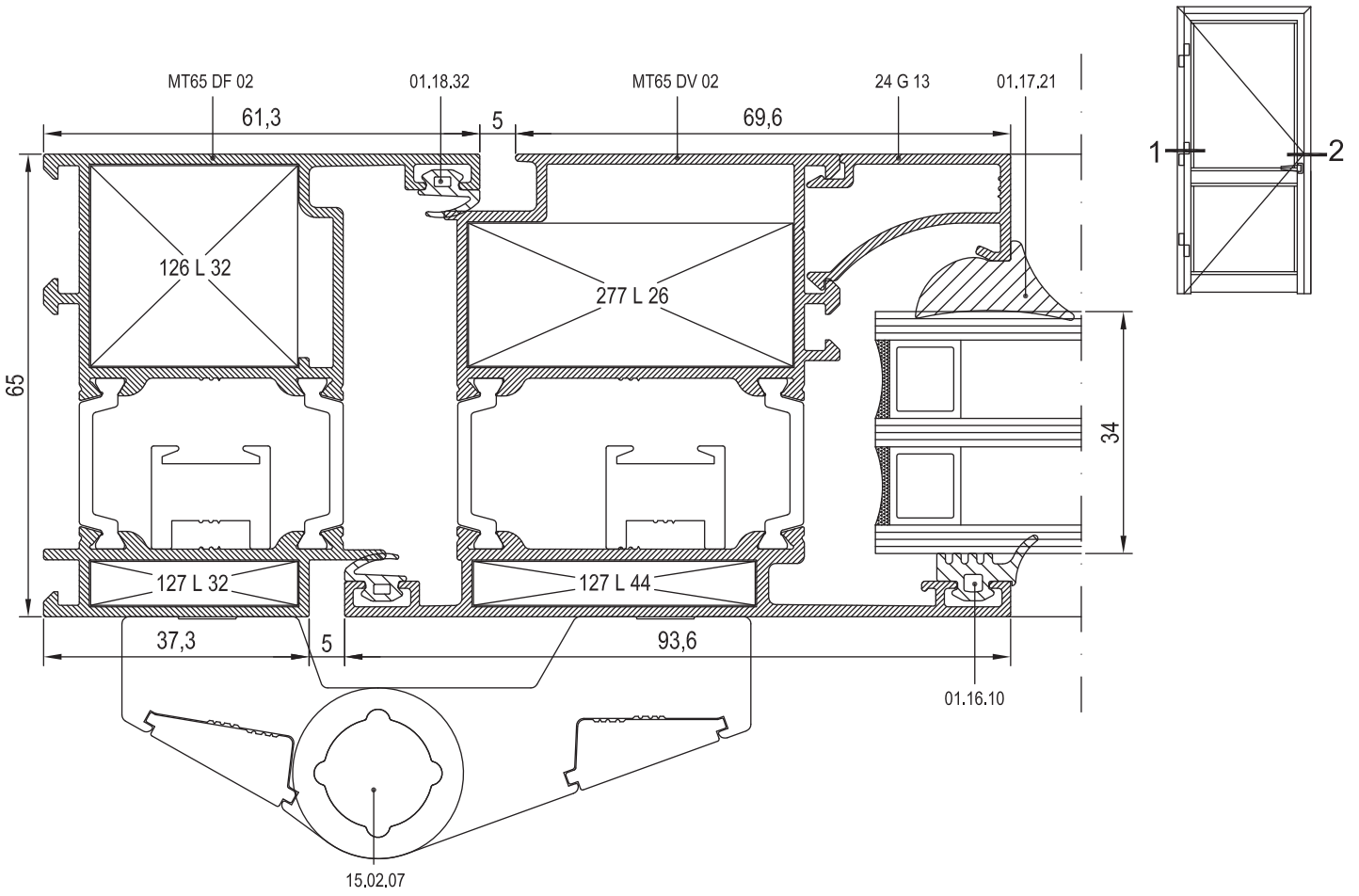
16

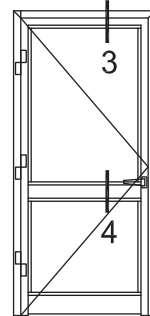
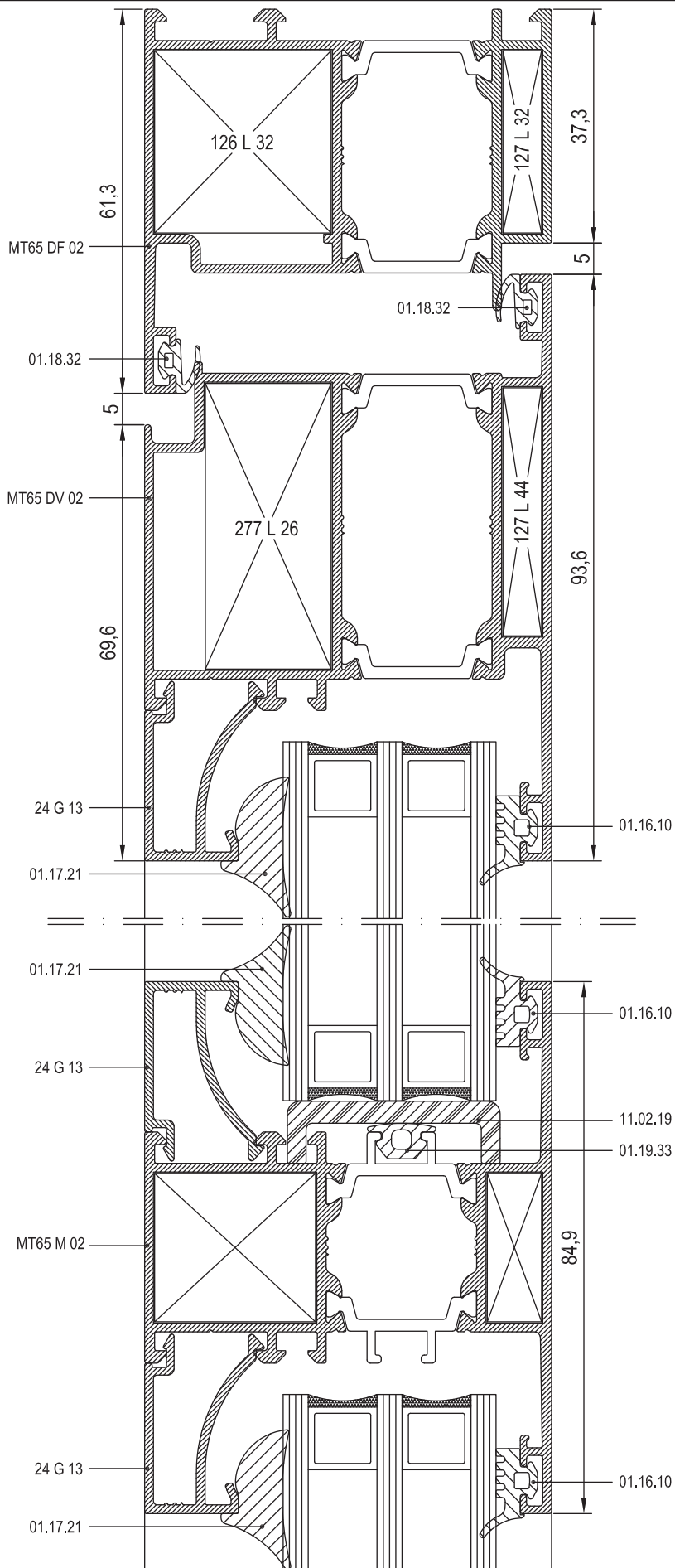
17

18

19

20





11

12

13

14

15

16

17

18

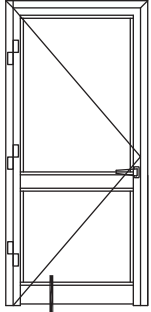
19

20

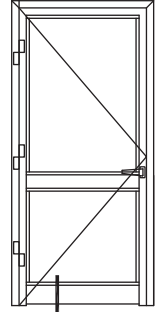


11

12



5



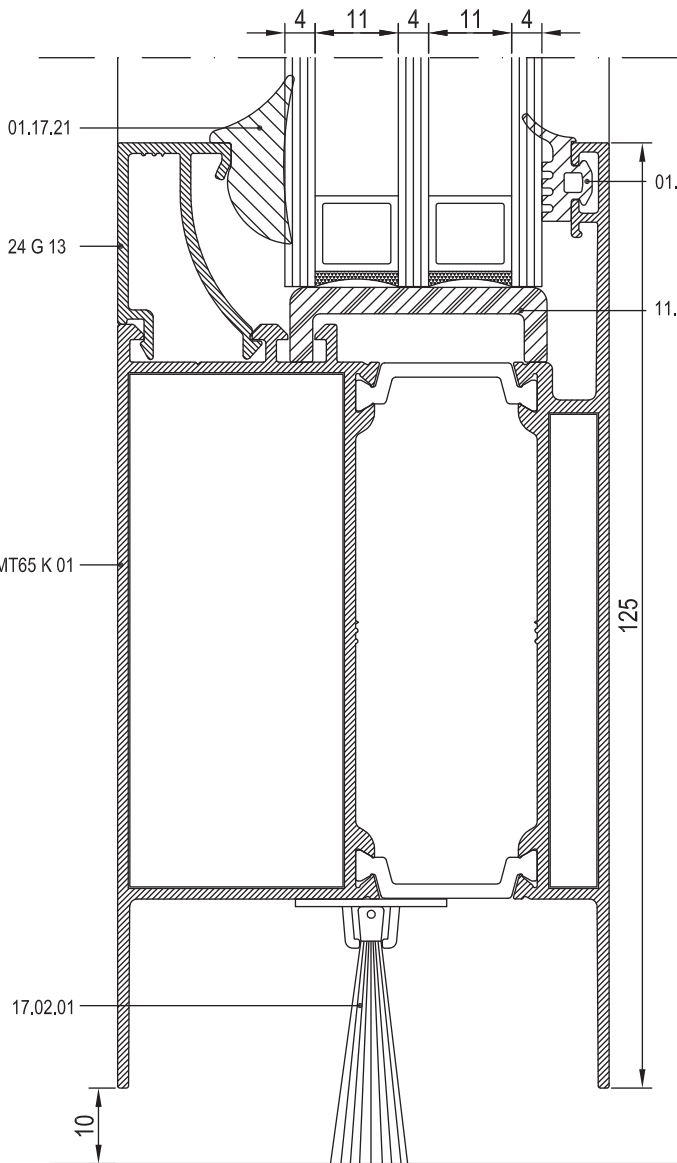
6

13

ALTERNATİF-1
ALTERNATIVE-1

ALTERNATİF-2
ALTERNATIVE-2

14



15

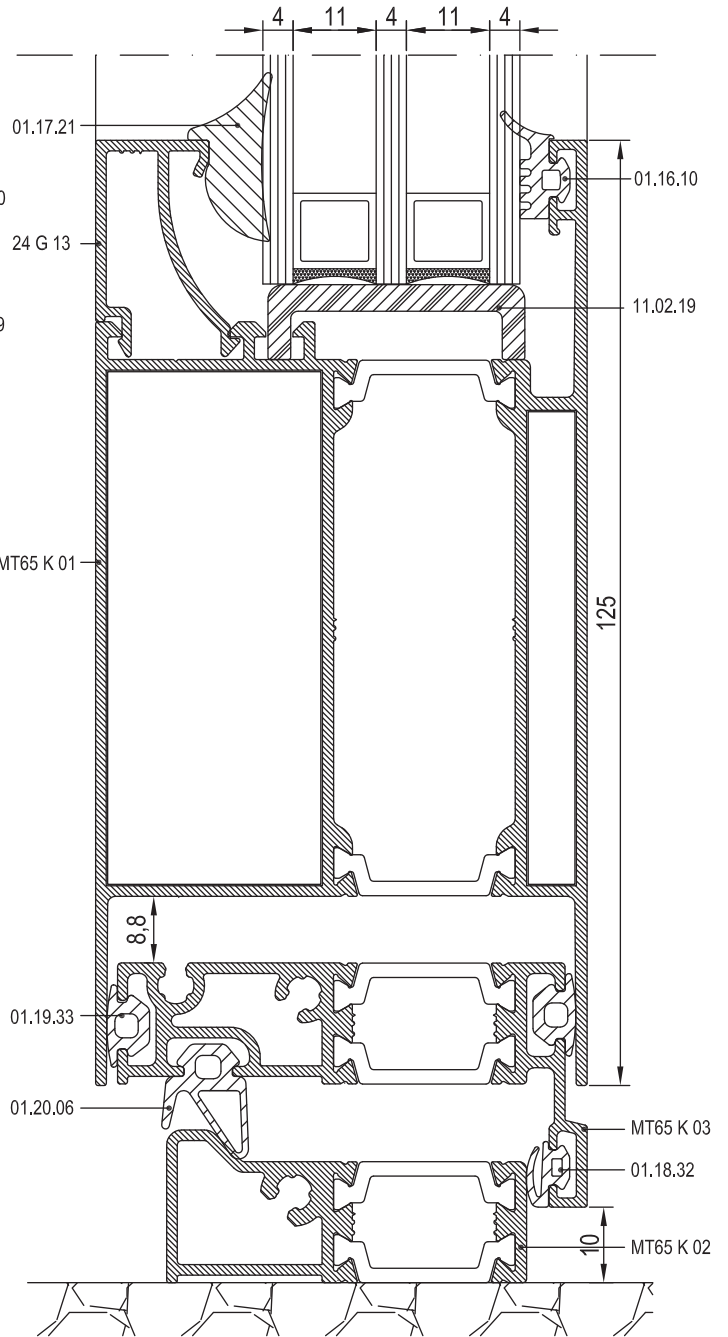
16

17

18

19

20



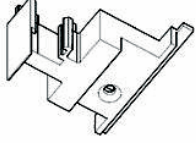
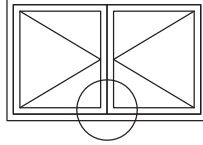
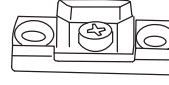
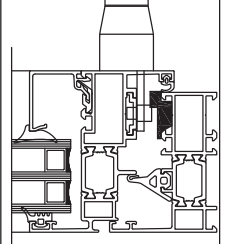


	01.16.10 DIŞ CAM FİTİLİ GLAZING GASKET (OUTSIDE) EPDM 62 gr/m			01.18.33 İÇ BİNLİ FİTİLİ ACOUSTICAL GASKET EPDM 28 gr/m		11
	01.17.05 İÇ CAM FİTİLİ GLAZING GASKET (INSIDE) EPDM 60 gr/m			01.19.32 ADAPTÖR FİTİLİ ADAPTER GASKET EPDM 137 gr/m		12
	01.17.14 İÇ CAM FİTİLİ GLAZING GASKET (INSIDE) EPDM 86 gr/m			01.19.33 ADAPTÖR FİTİLİ ADAPTER GASKET EPDM 38 gr/m		13
	01.17.15 İÇ CAM FİTİLİ GLAZING GASKET (INSIDE) EPDM 107 gr/m			01.19.34 ADAPTÖR FİTİLİ ADAPTER GASKET EPDM 229 gr/m		14
	01.17.20 İÇ CAM FİTİLİ GLAZING GASKET (INSIDE) EPDM 57 gr/m			01.20.06 EŞİK FİTİLİ THRESHOLD GASKET EPDM 85 gr/m		15
	01.17.21 İÇ CAM FİTİLİ GLAZING GASKET (INSIDE) EPDM 166 gr/m			04.02.02 TAHLİYE KAPAĞI DRAINAGE COVER		16
	01.18.32 BİNLİ FİTİLİ ACOUSTICAL GASKET EPDM 33 gr/m			04.06.38 ADAPTÖR KAPAĞI (ÜST) ADAPTER CAP (UP) SİYAH BLACK		17
						18
						19
						20

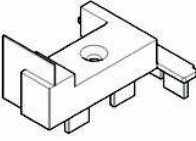
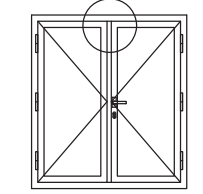
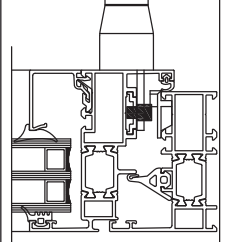
UYGULANILAN PROFİL: MT65 A 04
USE WITH: MT65 A 04



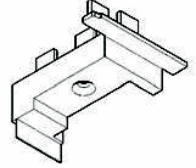
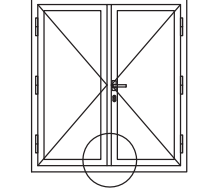
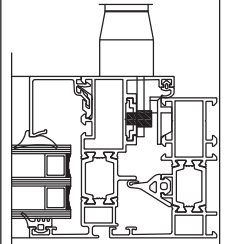
11

**04.06.39**ADAPTÖR KAPAĞI (ALT)
ADAPTER CAP (DOWN)
SİYAH
BLACKUYGULANILAN PROFİL: MT65 A 04
USE WITH: MT65 A 04**07.09.01**AYARLI PİM KARŞILIĞI
LOCK PLATE

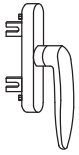
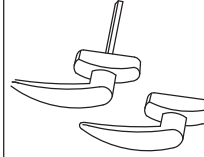
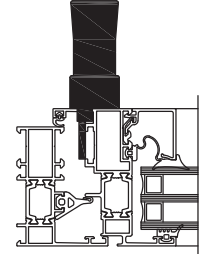
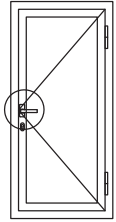
12

**04.06.40**ADAPTÖR KAPAĞI (ÜST)
ADAPTER CAP (UP)
SİYAH
BLACKUYGULANILAN PROFİL: MT65 DA 01 ve DA 02
USE WITH: MT65 DA 01 ve DA 02**07.13.02**ORTA GÖBEK PİMİ
CENTRAL LOCK PIN

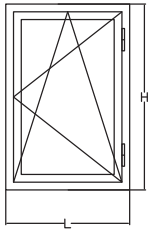
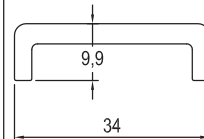
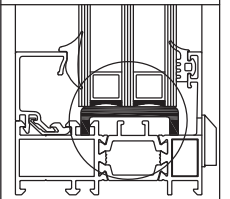
13

**04.06.41**ADAPTÖR KAPAĞI (ALT)
ADAPTER CAP (DOWN)
SİYAH
BLACKUYGULANILAN PROFİL: MT65 DA 01 ve DA 02
USE WITH: MT65 DA 01 ve DA 02**07.13.03**TÜJ PİM
LOCK PIN

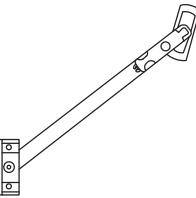
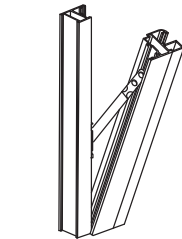
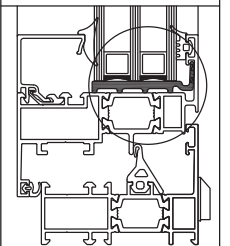
14

**07.05.12**İSPANYOLET KOL ÇİFT DİLLİ
WINDOW HANDLE
SİYAH-BEYAZ-GRİ
BLACK-WHITE-GREY**07.14.04**KAPI KOLU (İTHAL)
DOOR HANDLE
SİYAH-BEYAZ-GRİ
BLACK-WHITE-GREY

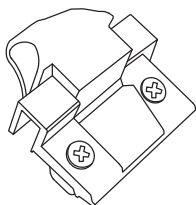
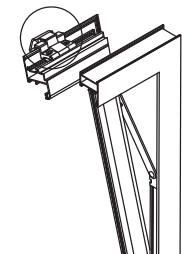
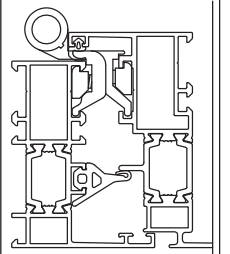
15

**07.06.60.**ÇİFT AÇILIM MEKANİZMASI
TILT AND TURN MECANISM
SİYAH-GRİ
BLACK-GREYGENİŞLİK: 570~1000 mm
WIDTH: 570~1000 mm
YÜKSEKLİK: 400~1200 mm
HEIGHT: 400~1200 mm**11.02.19**CAM TAKOZU
GLASS WEDGE
SİYAH
BLACK

17

**07.07.02**VASİSTAS MAKAS
VASİSTAS ACCESSORY
SİYAH-BEYAZ-GRİ
BLACK-WHITE-GREY**11.02.20**CAM TAKOZU
GLASS WEDGE
SİYAH
BLACK

18

**07.08.01**VASİSTAS MANDALI
VASİSTAS SPRING
SİYAH-BEYAZ
BLACK-WHITE**15.01.08**PENCERE MENTEŞESİ
WINDOW HINGE
SİYAH-BEYAZ-GRİ-ELOKSAL
BLACK-WHITE-GREY-ANODISED

19

20



	<p>15.02.07 KAPAZLAMA MENTEŞE (2'LI) DOOR HINGE SİYAH-BEYAZ-GRİ BLACK-WHITE-GREY</p>			<p>18.03.01 KAPI ALT-ÜST KİLİTLEME BOLT LOCK</p>							
	<p>15.02.09 KAPI MENTEŞESİ DOOR HINGE SİYAH-BEYAZ-GRİ-ELOKSAL BLACK-WHITE-GREY-ANODISED</p>		<table border="1" data-bbox="873 746 1003 799"> <thead> <tr> <th>A</th> <th>B</th> <th>L</th> </tr> </thead> <tbody> <tr> <td>35</td> <td>45</td> <td>90</td> </tr> </tbody> </table>	A	B	L	35	45	90	<p>18.04.01 BAREL CYLINDER KROM-NİKEL CHROME-NICKEL</p>	
A	B	L									
35	45	90									
	<p>17.02.01 KAPI ALTI FIRÇASI BRUSH 1 Mt</p>			<p>18.05.02 BAREL AYNASI CYLINDER COVER SİYAH-BEYAZ BLACK-WHITE</p>							
<p>16 30</p>	<p>18.01.01 MAKARALI KİLİT MORTISE LOCK (with roller) STANDART STANDARD</p>										
<p>16 30</p>	<p>18.01.02 DİLLİ KİLİT MORTISE LOCK STANDART STANDARD</p>										
	<p>18.02.22 DİLLİ KİLİT KARŞILIĞI FOREND SİYAH-BEYAZ-ELOKSAL BLACK-WHITE-ANODISED</p>										
	<p>18.02.23 MAKARALI KİLİT KARŞILIĞI FOREND (for lock with roller) SİYAH-BEYAZ-ELOKSAL BLACK-WHITE-ANODISED</p>										

11

12

13

14

15

16

17

18

19

20

RESCARA SİSTEM

RESCARA SYSTEM

Aluminyum Kapı Pencere ve Giydirme Cephe Sistemleri
Aluminium Window Doors and Facade Systems

11



12

13

14

15

16

17

18

19

20