

# MİMARİ KATALOG

## ARCHITECTURAL CATALOGUE

Aluminyum Kapı Pencere ve Giydirme Cephe Sistemleri  
Aluminium Window Doors and Facade Systems



Rescara Sistem  
Profil Detayları

Rescara System  
Profile Details



# 57MM RWD5

# RESCARA SİSTEM

## RESCARA SYSTEM

Aluminyum Kapı Pencere ve Giydirmce Cephe Sistemleri  
Aluminium Window Doors and Facade Systems

01



02

03

04

05

06

07

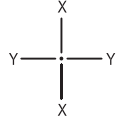
08

09

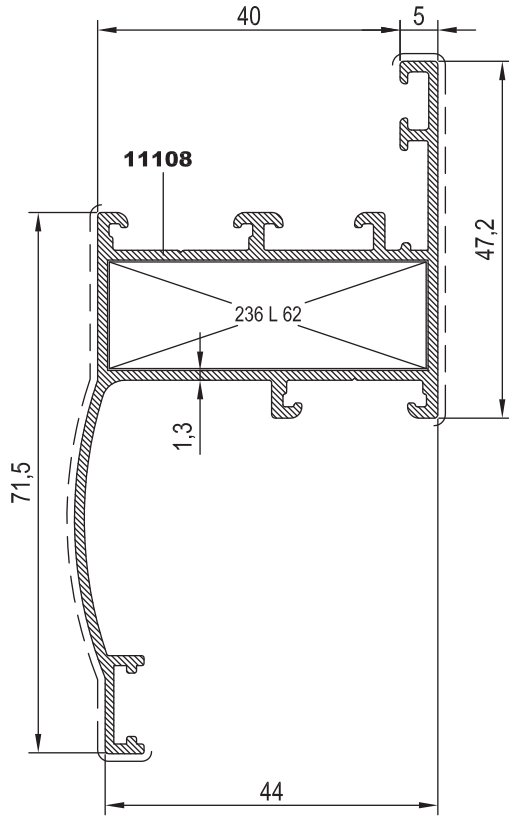
10



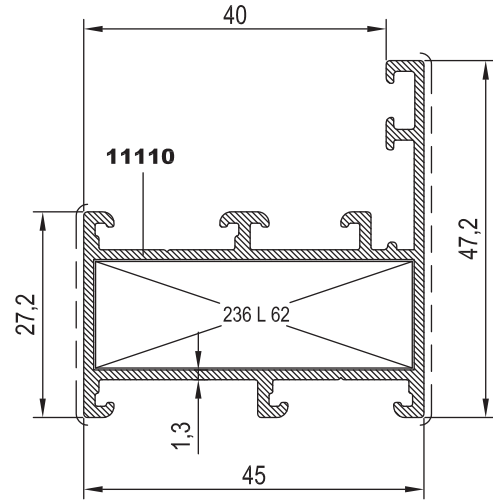
KOD / CODE	AĞIRLIK (kg/m) / WEIGHT	Jxx cm <sup>4</sup>	Jyy cm <sup>4</sup>	L m
45 F 01	0,934	11,035	15,434	6
45 F 02	0,754	7,436	4,107	6





45 F 01



45 F 02



Nr		 L m	KESİM ÖLÇÜSÜ CUTTING SIZE	 AKS. KODU ACS. CODE
45 F 01	11108	25 L 62 (2442)	42 mm	236 L 62
45 F 02	11110	25 L 62 (2442)	42 mm	236 L 62

01

02

03

04

05

06

07

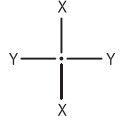
08

09

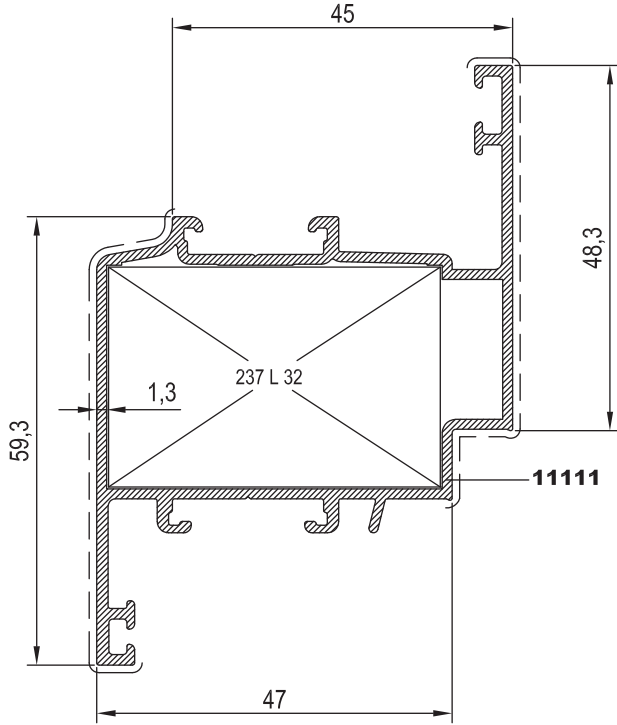
10



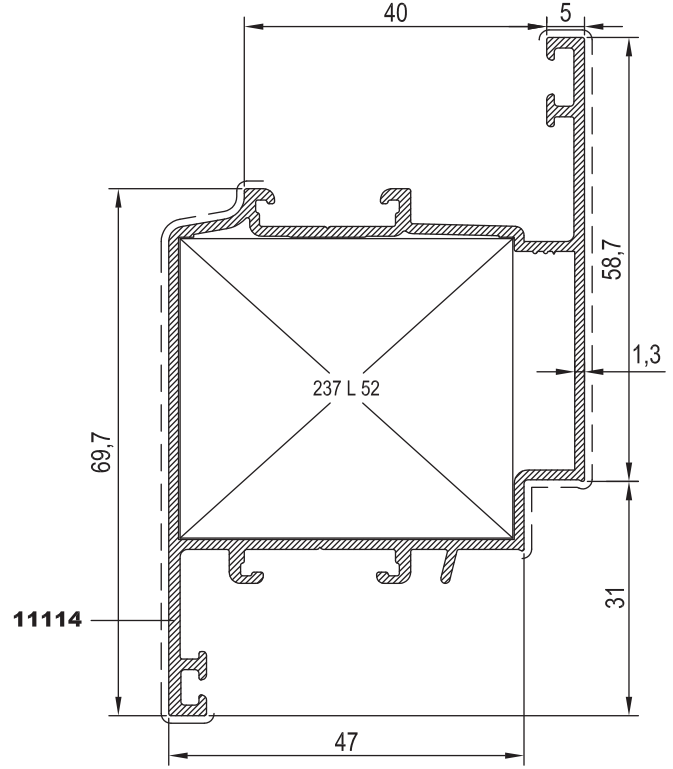
KOD / CODE	AĞIRLIK (kg/m) / WEIGHT	Jxx cm <sup>4</sup>	Jyy cm <sup>4</sup>	L m
45 V 01	1,001	16,022	14,717	6
45 V 02	1,074	17,991	22,571	6
45 M 01	0,983	9,288	7,466	6



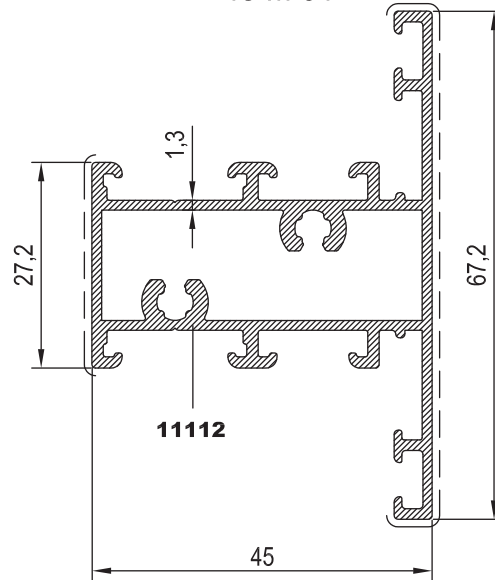
45 V 01



45 V 02



45 M 01



Nr



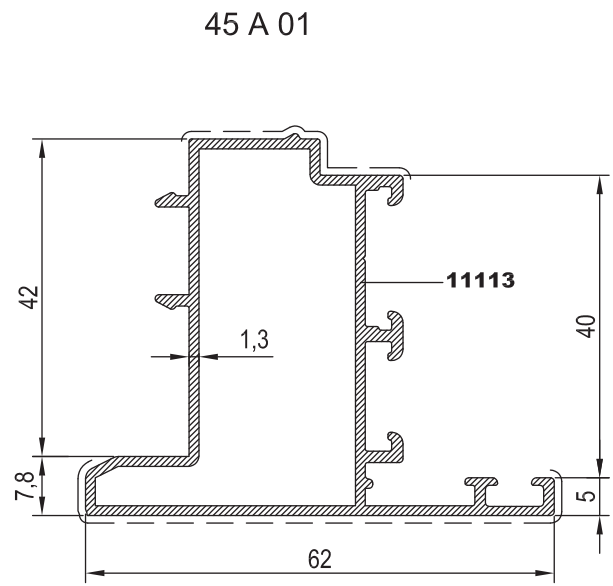
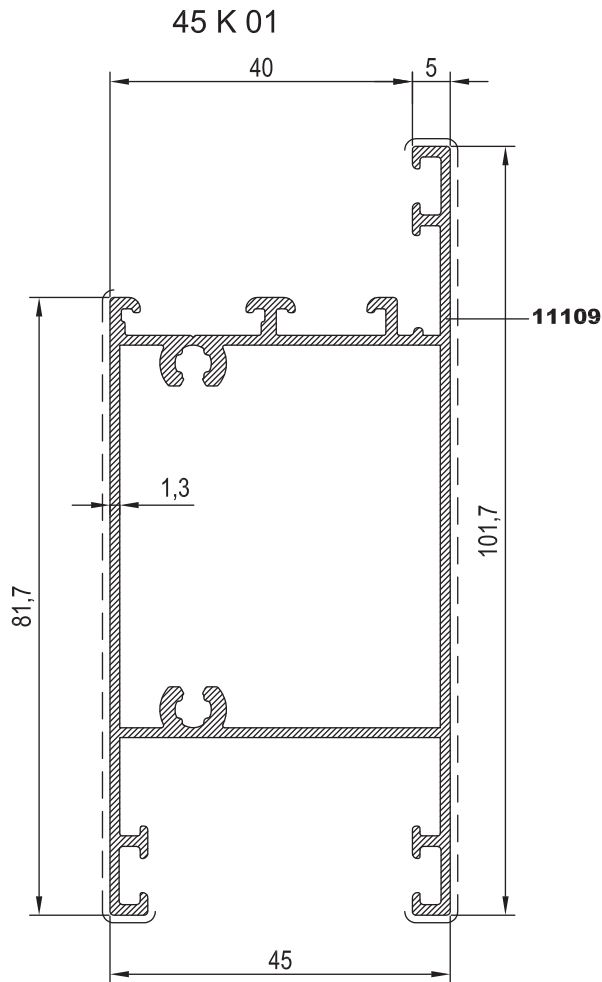
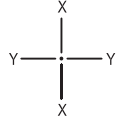
L m

KESİM ÖLÇÜSÜ  
CUTTING SIZEAKS. KODU  
ACS. CODE

45 V 01	11111	25 L 32 (2430)	44 mm	237 L 32
45 V 02	11114	25 L 52 (10888)	44 mm	237 L 52



KOD / CODE	AĞIRLIK (kg/m) / WEIGHT	Jxx cm4	Jyy cm4	L m
45 K 01	1,243	15,716	39,656	6
45 A 01	0,860	-----	-----	6



01

02

03

04

05

06

07

08

09

10



KOD / CODE	AĞIRLIK (kg/m) / WEIGHT	L m	KOD / CODE	AĞIRLIK (kg/m) / WEIGHT	L m
25 G 21	0,196	6	25 G 09	0,227	6
25 G 28	0,215	6	25 G 12	0,269	6
25 G 11	0,219	6	25 G 13	0,277	6
25 G 10	0,225	6	25 G 14	0,281	6

01

02

03

04

05

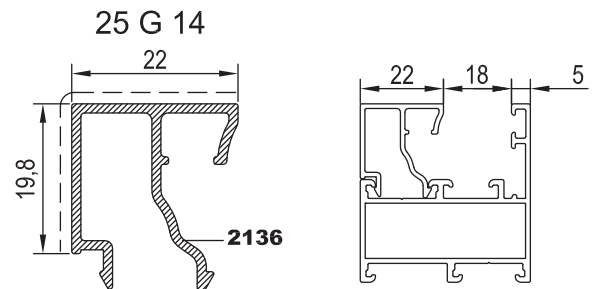
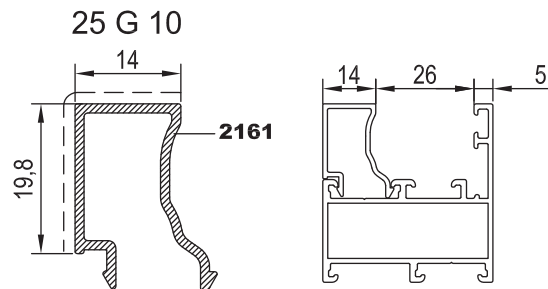
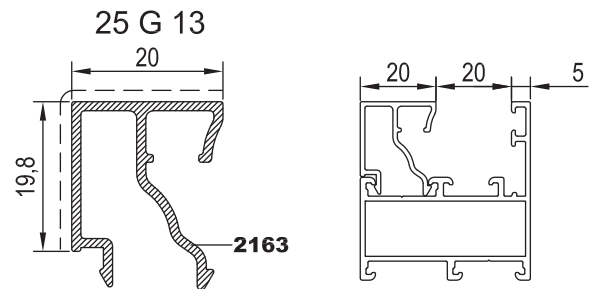
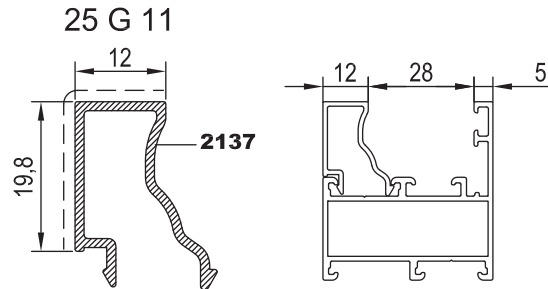
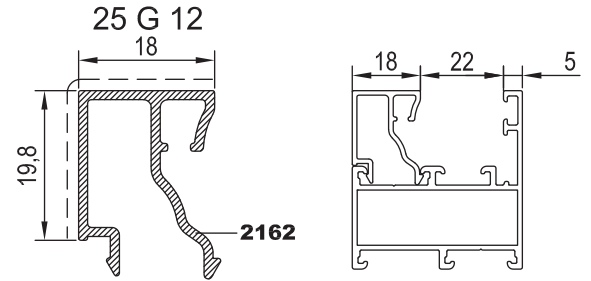
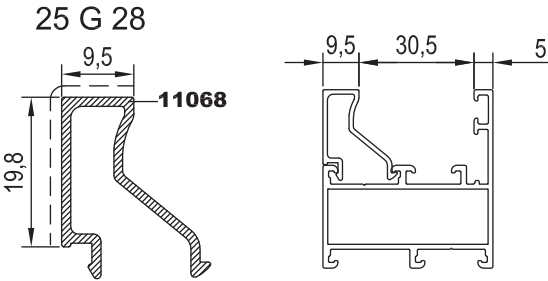
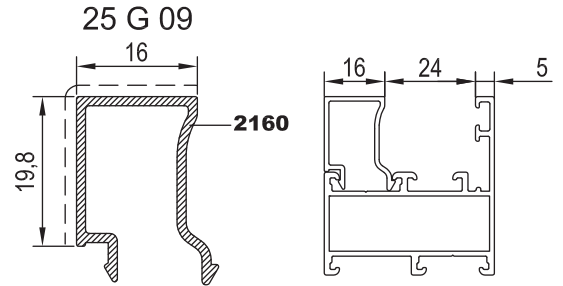
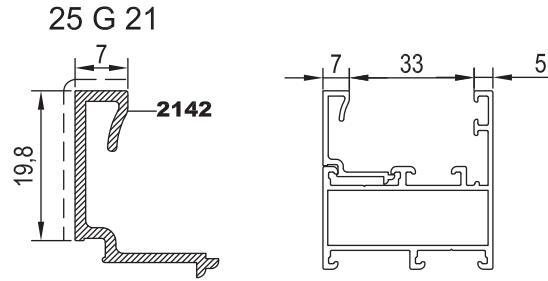
06

07

08

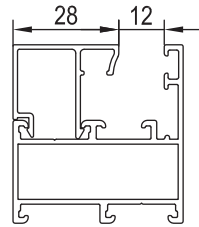
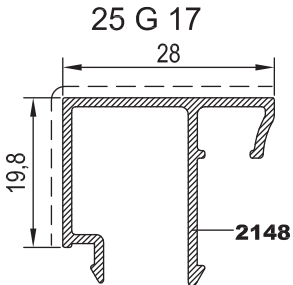
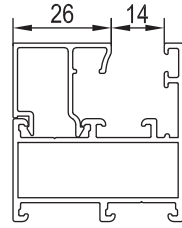
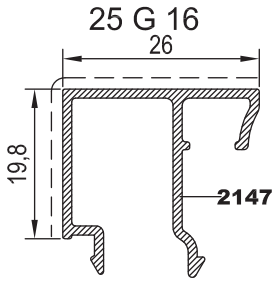
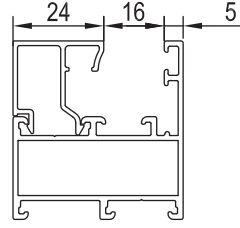
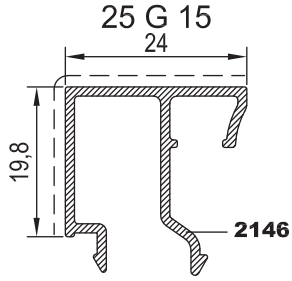
09

10





KOD / CODE	AĞIRLIK (kg/m) / WEIGHT	L m	
25 G 15	0,282	6	
25 G 16	0,284	6	
25 G 17	0,289	6	



01

02

03

04

05

06

07

08

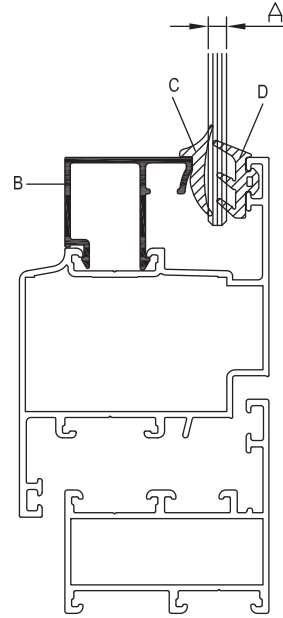
09

10



## CAM LİSTESİ (GLASS TABLE)

B, CAM ÇİTASI GLAZING BEAD	C, İÇ CAM FİTLİ GLASS GASKET (IN)	A, CAM KALINLIĞI GLASS THICKNESS	D, DIŞ CAM FİTLİ GLASS GASKET (OUT)
25 G 17	01.17.04	4 mm	01.16.02
25 G 16	01.17.05	5 mm	01.16.02
25 G 16	01.17.04	6 mm	01.16.02
25 G 15	01.17.05	7 mm	01.16.02
25 G 15	01.17.04	8 mm	01.16.02
25 G 14	01.17.05	9 mm	01.16.02
25 G 14	01.17.04	10 mm	01.16.02
25 G 13	01.17.05	11 mm	01.16.02
25 G 13	01.17.04	12 mm	01.16.02
25 G 12	01.17.05	13 mm	01.16.02
25 G 12	01.17.04	14 mm	01.16.02
25 G 09	01.17.05	15 mm	01.16.02
25 G 09	01.17.04	16 mm	01.16.02
25 G 10	01.17.05	17 mm	01.16.02
25 G 10	01.17.04	18 mm	01.16.02
25 G 11	01.17.05	19 mm	01.16.02
25 G 11	01.17.04	20 mm	01.16.02
25 G 28	01.17.05	22 mm	01.16.02
25 G 28	01.17.04	23 mm	01.16.02
25 G 21	01.17.05	24 mm	01.16.02
25 G 21	01.17.04	25 mm	01.16.02



## KÖŞE TAKOZLARI (CORNER CLEAT)

PROFİL KODU (PROFILE CODE)	25 L 32	25 L 52	25 L 62
FABRİKA KODU (FACTORY CODE)	2430	10888	2442
AĞIRLIK (WEIGHT)	3,702 kg/m	4,377 kg/m	4,249 kg/m
ÇİZİM (DRAWING)			

Nr

KESİM ÖLÇÜSÜ  
CUTTING SIZEAKS. KODU  
ACS. CODE

45 F 01	11108	25 L 62 (2442)	42 mm	236 L 62
45 F 02	11110	25 L 62 (2442)	42 mm	236 L 62
45 V 01	11111	25 L 32 (2430)	44 mm	237 L 32
45 V 02	11114	25 L 52 (10888)	44 mm	237 L 52





01

02

03

04

05

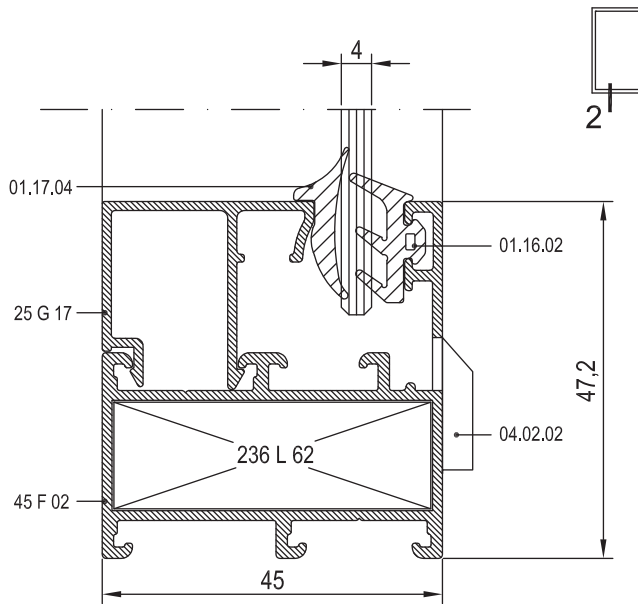
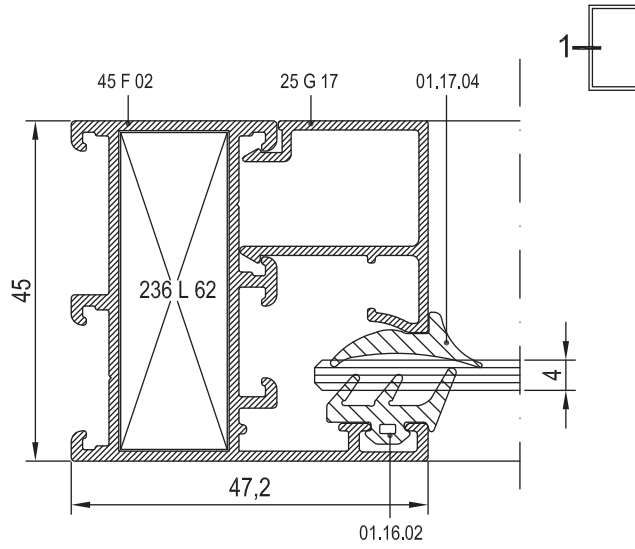
06

07

08

09

10





01

02

03

04

05

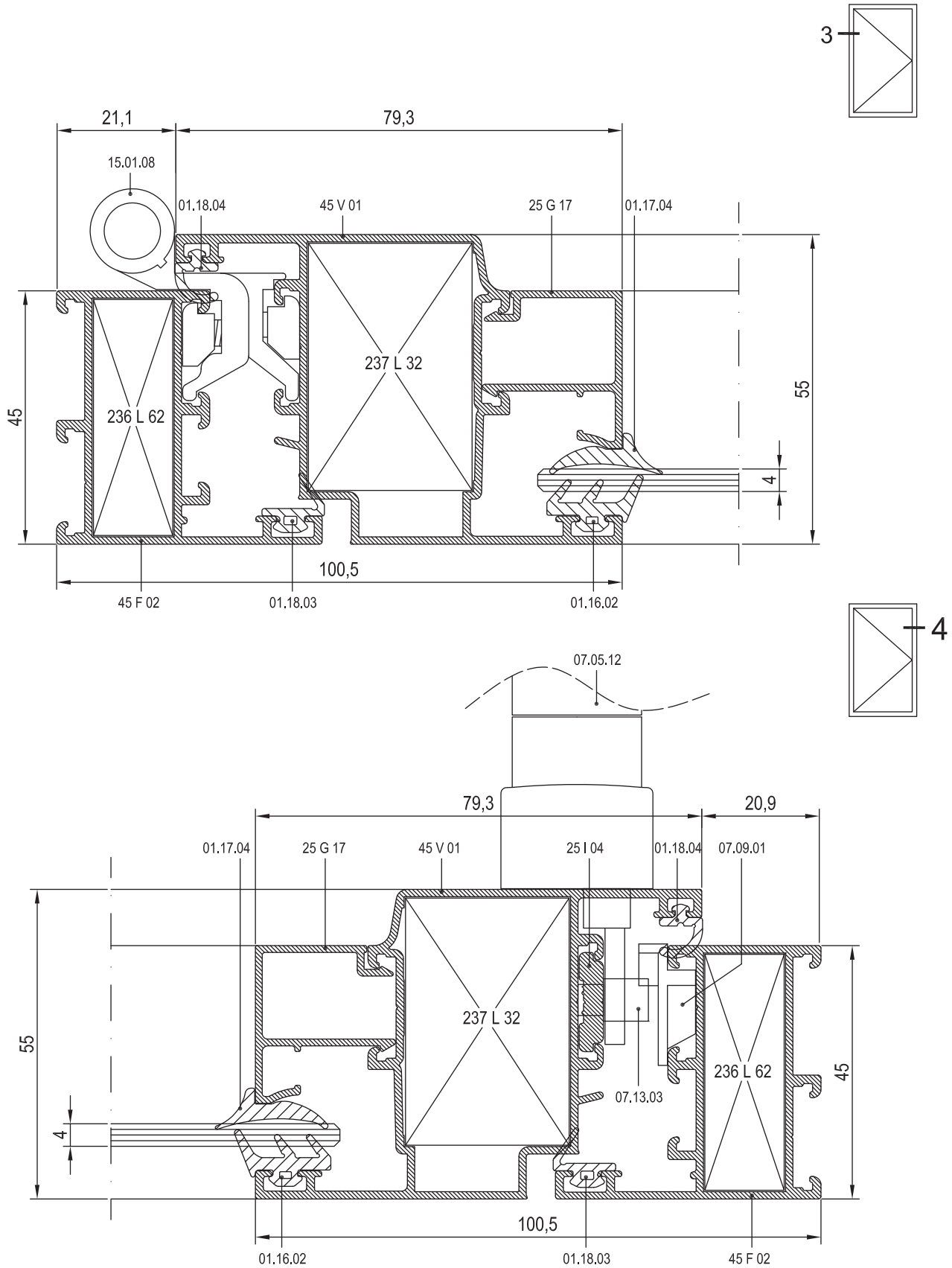
06

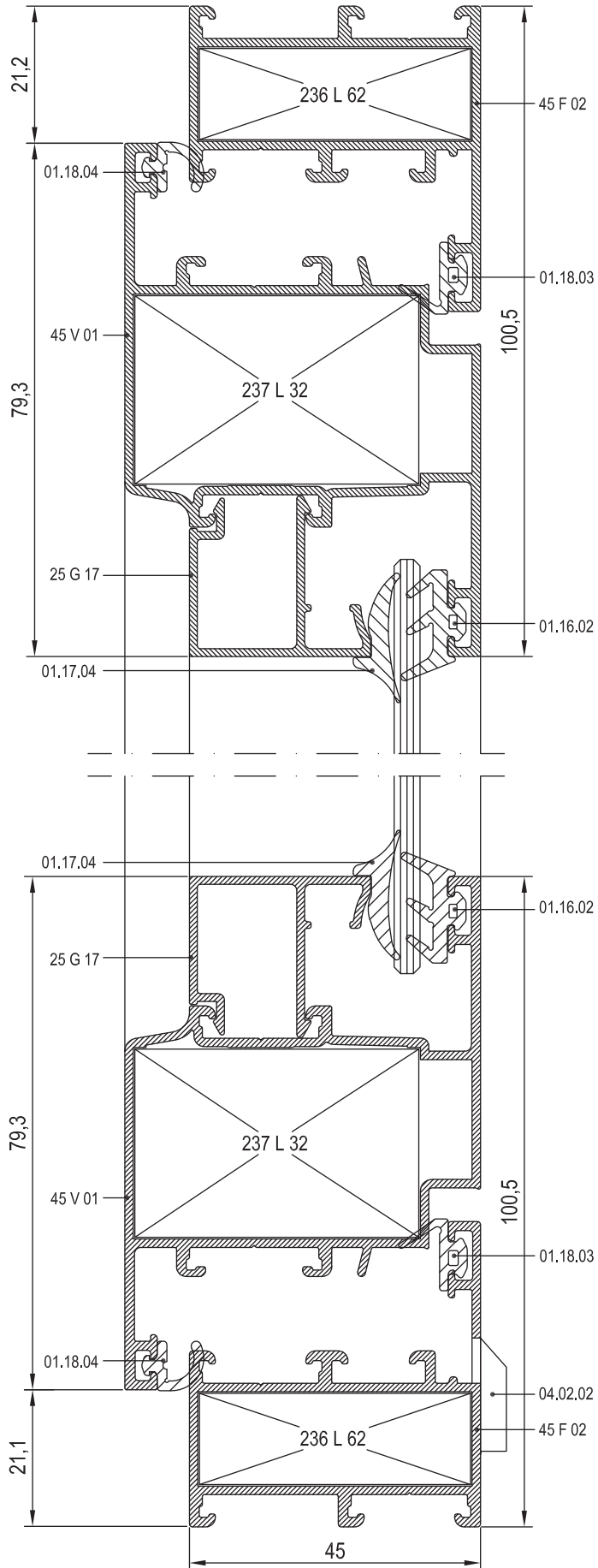
07

08

09

10





01

02

03

04

05

06

07

08

09

10



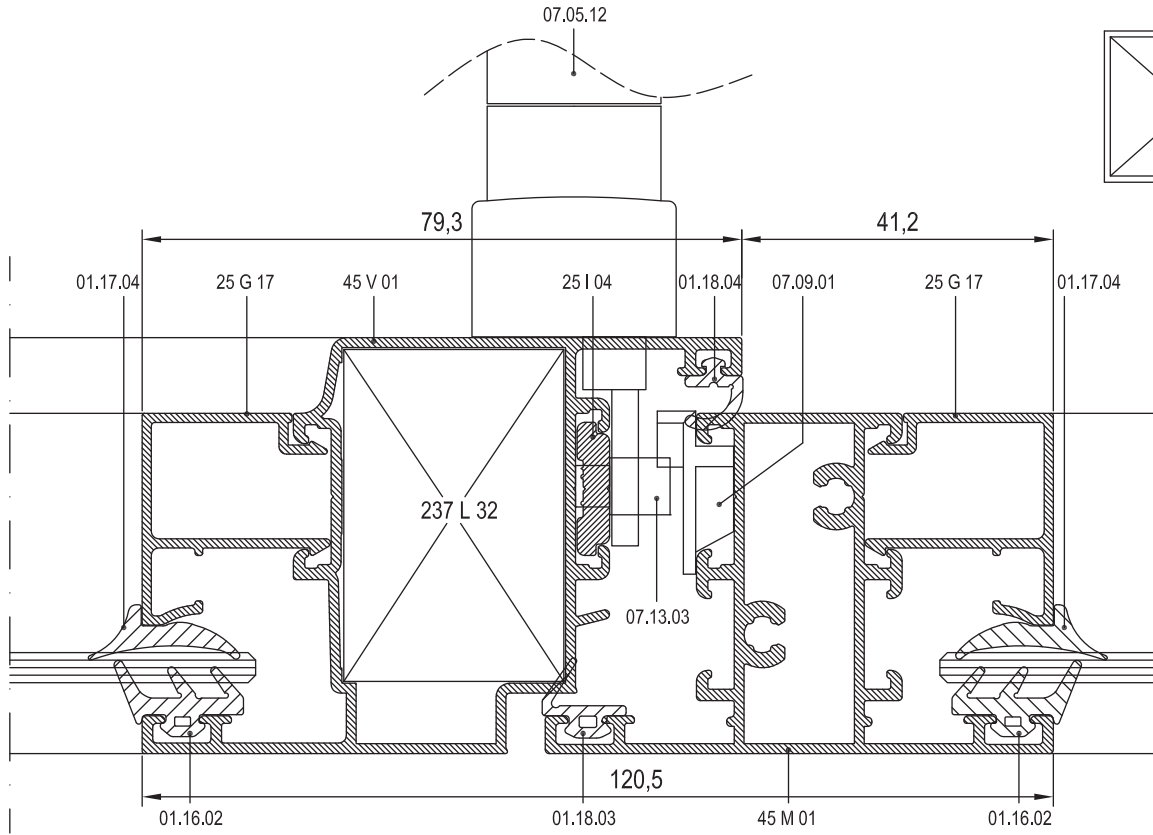
01

02

03

04

05



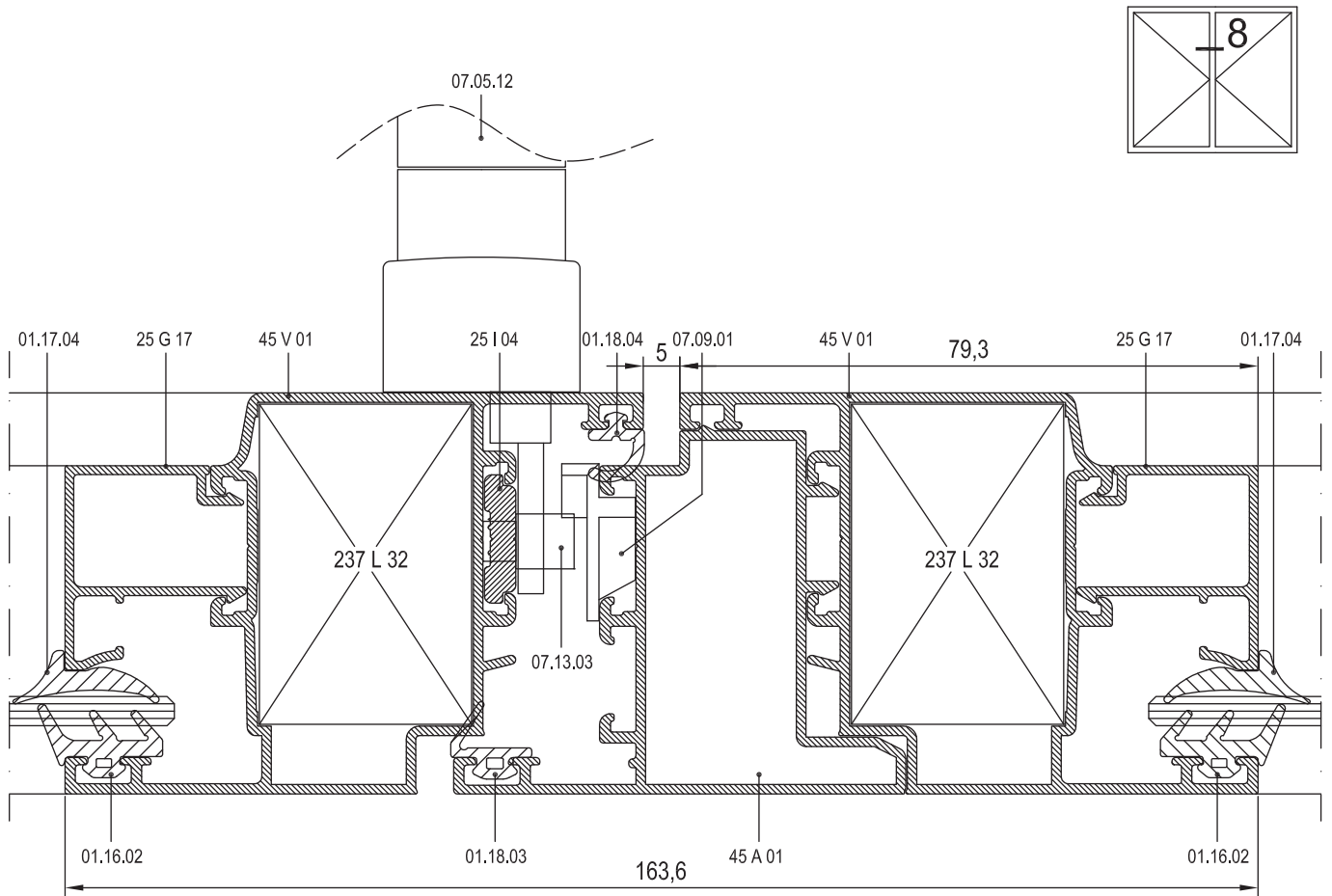
06

07


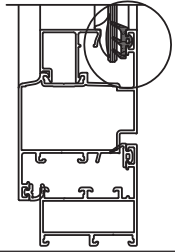

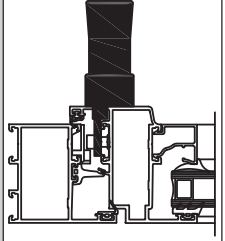

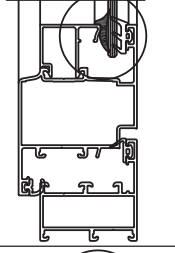
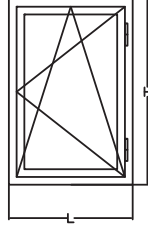

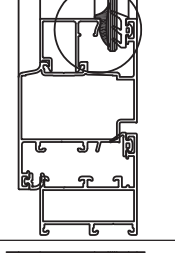
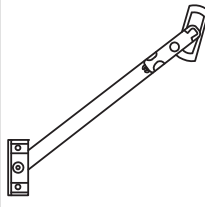
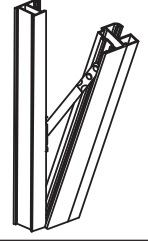

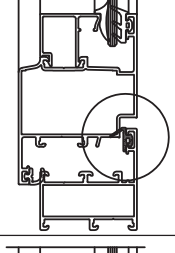
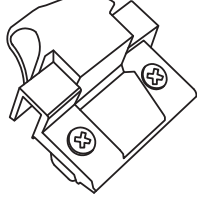
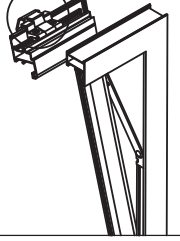

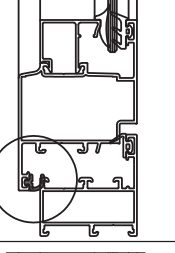
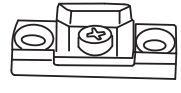
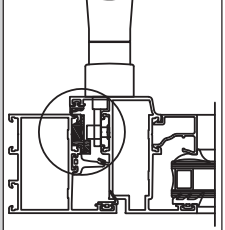

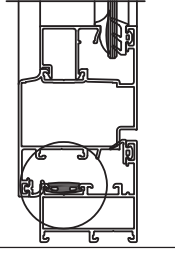

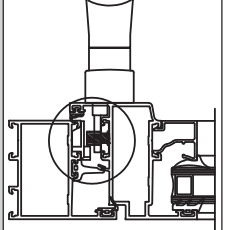
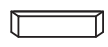
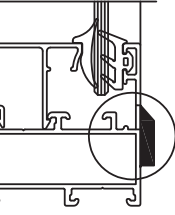
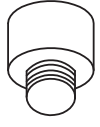
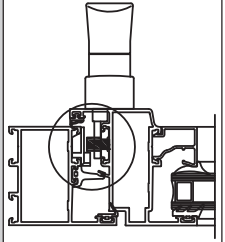
08

09

10





	<b>01.16.02</b> DIŐ CAM FITİLİ GLAZING GASKET (OUTSIDE) EPDM 90 gr/m			<b>07.05.12</b> İSPANYOLET KOL ÇİFT DİLLİ WINDOW HANDLE SİYAH-BEYAZ-GRİ BLACK-WHITE-GREY	
	<b>01.17.04</b> İÇ CAM FITİLİ GLAZING GASKET (INSIDE) EPDM 55 gr/m			<b>07.06.60.</b> ÇİFT AÇILIM MEKANİZMASI TILT AND TURN MECANISM SİYAH-GRİ BLACK-GREY	GENİŐLİK: 570~1000 mm WIDTH: 570~1000 mm YÜKSEKLİK: 400~1200 mm HEIGHT: 400~1200 mm
	<b>01.17.05</b> İÇ CAM FITİLİ GLAZING GASKET (INSIDE) EPDM 60 gr/m			<b>07.07.02</b> VASİSTAS MAKAS VASİSTAS ACCESSORY SİYAH-BEYAZ-GRİ BLACK-WHITE-GREY	
	<b>01.18.03</b> BİNİ FITİLİ ACOUSTICAL GASKET EPDM 53 gr/m			<b>07.08.01</b> VASİSTAS MANDALI VASİSTAS SPRING SİYAH-BEYAZ BLACK-WHITE	
	<b>01.18.04</b> İÇ BİNİ FITİLİ ACOUSTICAL GASKET EPDM 41 gr/m			<b>07.09.01</b> AYARLI PİM KARŐILİĐI LOCK PLATE	
	<b>01.19.06</b> ÇİTA KANAL FITİLİ ADAPTER GASKET EPDM 71 gr/m			<b>07.13.02</b> ORTA GÖBEK PİMİ CENTRAL LOCK PIN	
	<b>04.02.02</b> TAHLİYE KAPAĐI DRAINAGE COVER			<b>07.13.03</b> TİJ PİM LOCK PIN	

01

02

03

04

05

06

07

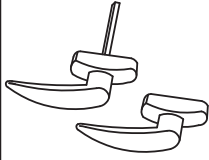
08

09

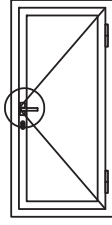
10



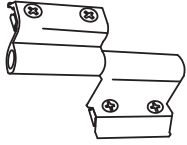
01



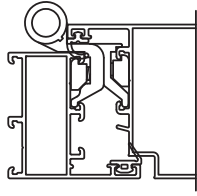
**07.14.04**  
KAPI KOLU (ITHAL)  
DOOR HANDLE  
SİYAH-BEYAZ-GRİ  
BLACK-WHITE-GREY



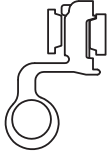
02



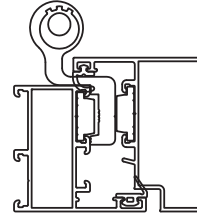
**15.01.08**  
PENCERE MENTEŞESİ  
WINDOW HINGE  
SİYAH-BEYAZ-GRİ-ELOKSAL  
BLACK-WHITE-GREY-ANODISED



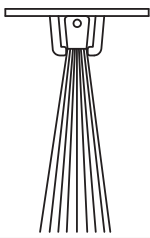
03



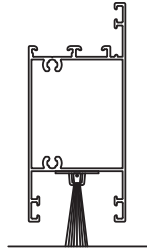
**15.02.09**  
KAPI MENTEŞESİ  
DOOR HINGE  
SİYAH-BEYAZ-GRİ-ELOKSAL  
BLACK-WHITE-GREY-ANODISED



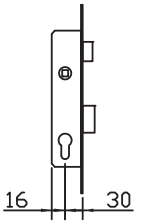
04



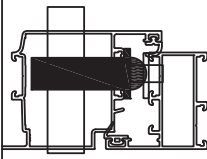
**17.02.01**  
KAPI ALTI FIRÇASI  
BRUSH  
1 Mt



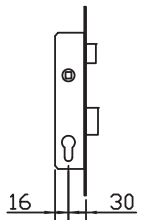
05



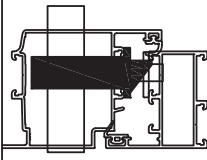
**18.01.01**  
MAKARALI KİLİT  
MORTISE LOCK (with roller)  
STANDART  
STANDARD



07



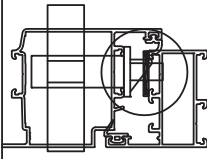
**18.01.02**  
DİLLİ KİLİT  
MORTISE LOCK  
STANDART  
STANDARD



08



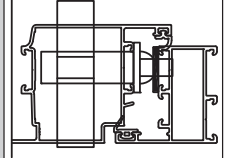
**18.02.20**  
DİLLİ KİLİT KARŞILIĞI  
FOREND  
SİYAH-BEYAZ-ELOKSAL  
BLACK-WHITE-ANODISED



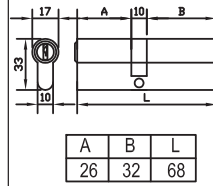
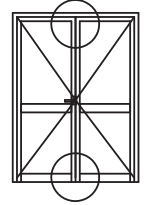
09



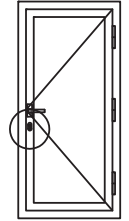
**18.02.21**  
MAKARALI KİLİT KARŞILIĞI  
FOREND (for lock with roller)  
SİYAH-BEYAZ-ELOKSAL  
BLACK-WHITE-ANODISED



**18.03.01**  
KAPI ALT-ÜST KİLİTLEME  
BOLT LOCK



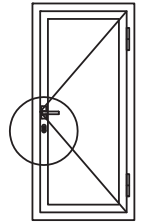
**18.04.03**  
BAREL  
CYLINDER  
KROM-NİKEL  
CHROME-NICKEL



06



**18.05.02**  
BAREL AYNASI  
CYLINDER COVER  
SİYAH-BEYAZ  
BLACK-WHITE



05

# RESCARA SİSTEM

## RESCARA SYSTEM

Aluminyum Kapı Pencere ve Giydirme Cephe Sistemleri  
Aluminium Window Doors and Facade Systems



01

02

03

04

05

06

07

08

09

10

# RESCARA SİSTEM

## RESCARA SYSTEM

Aluminyum Kapı Pencere ve Giydirme Cephe Sistemleri  
Aluminium Window Doors and Facade Systems

01



02

03

04

05

06

07

08

09

10