

# MİMARİ KATALOG

## ARCHITECTURAL CATALOGUE

Aluminyum Kapı Pencere ve Giydirme Cephe Sistemleri  
Aluminium Window Doors and Facade Systems



Rescara Sistem  
Profil Detayları

Rescara System  
Profile Details



# R50

# RESCARA SİSTEM

Alüminyum Kapı Pencere ve  
Giydirme Cephe Sistemleri



21

22

23

24

25

26

27

28

29

30

# MİMARİ KATALOG

## ARCHITECTURAL CATALOGUE

Aluminyum Kapı Pencere ve Giydirme Cephe Sistemleri  
Aluminium Window Doors and Facade Systems



Rescara Sistem  
Profil Detayları

Rescara System  
Profile Details

# R50

STANDART SERİ  
STANDART SERIE

21

22

23

24

25

26

27

28

29

30

# RESCARA SİSTEM

Alüminyum Kapı Pencere ve  
Giydirme Cephe Sistemleri



21

22

23

24

25

26

27

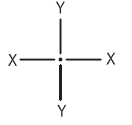
28

29

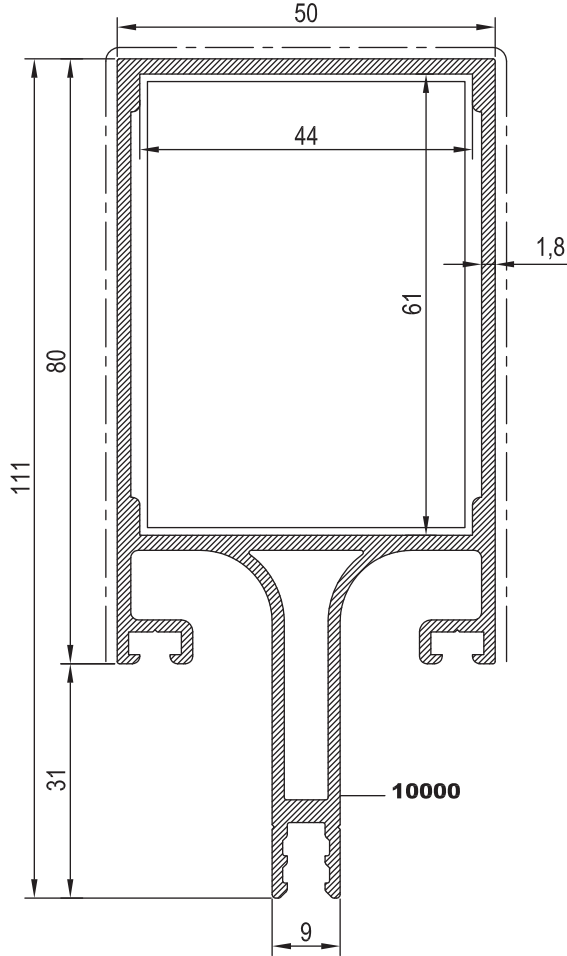
30



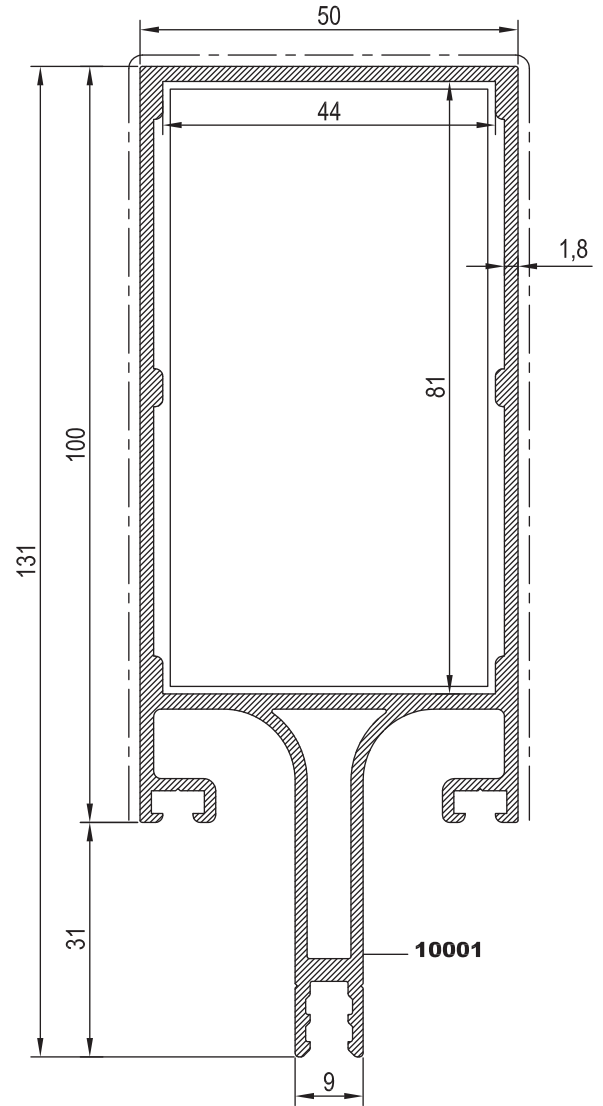
KOD / CODE	AĞIRLIK (kg/m) / WEIGHT	Jxx cm <sup>4</sup>	Jyy cm <sup>4</sup>	L m
R50 M 01	1,956	76,300	22,997	6
R50 M 02	2,159	124,243	27,751	6



R50 M 01



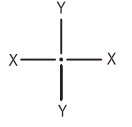
R50 M 02



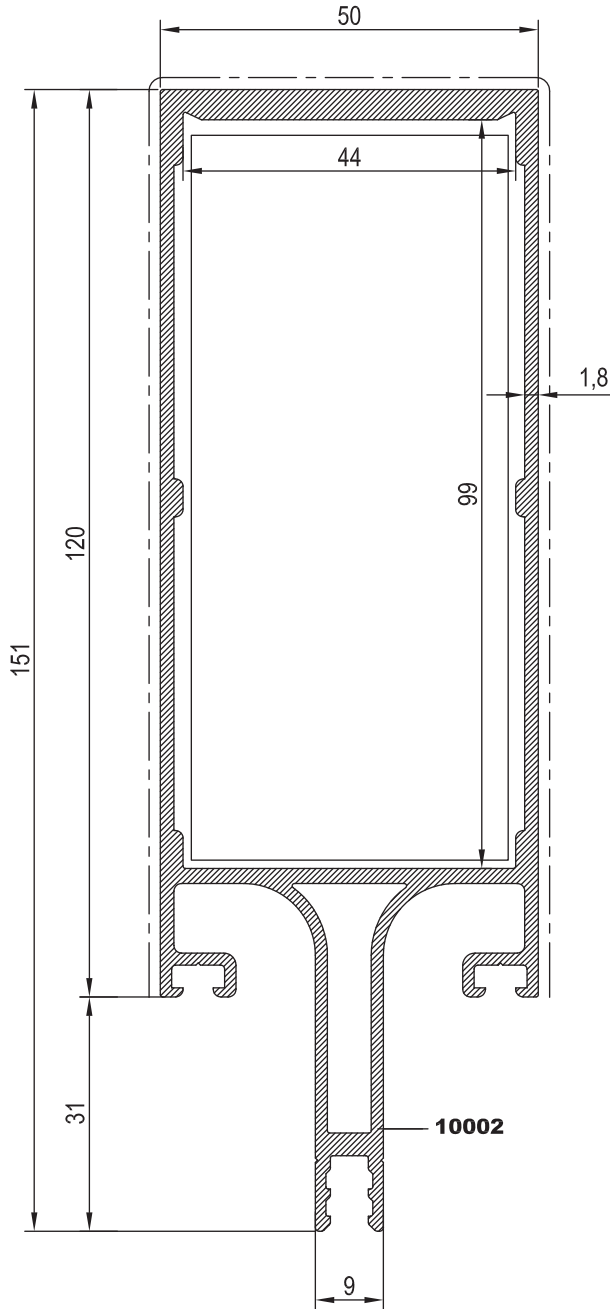
Nr	DÜŞEY BAĞLANTI PROFİLİ		MULLION CONNECTION PROFILE		KEŞİM ÖLÇÜSÜ CUTTING SIZE
	PROFİL KODU / PROFILE CODE		AKSESUAR KODU / ACCESSORY CODE		
R50 M 01	10000	(10018-10083)	06.01.01.50R		60,5 mm
R50 M 02	10001	(10018-10083)	06.01.02.50R		80,5 mm



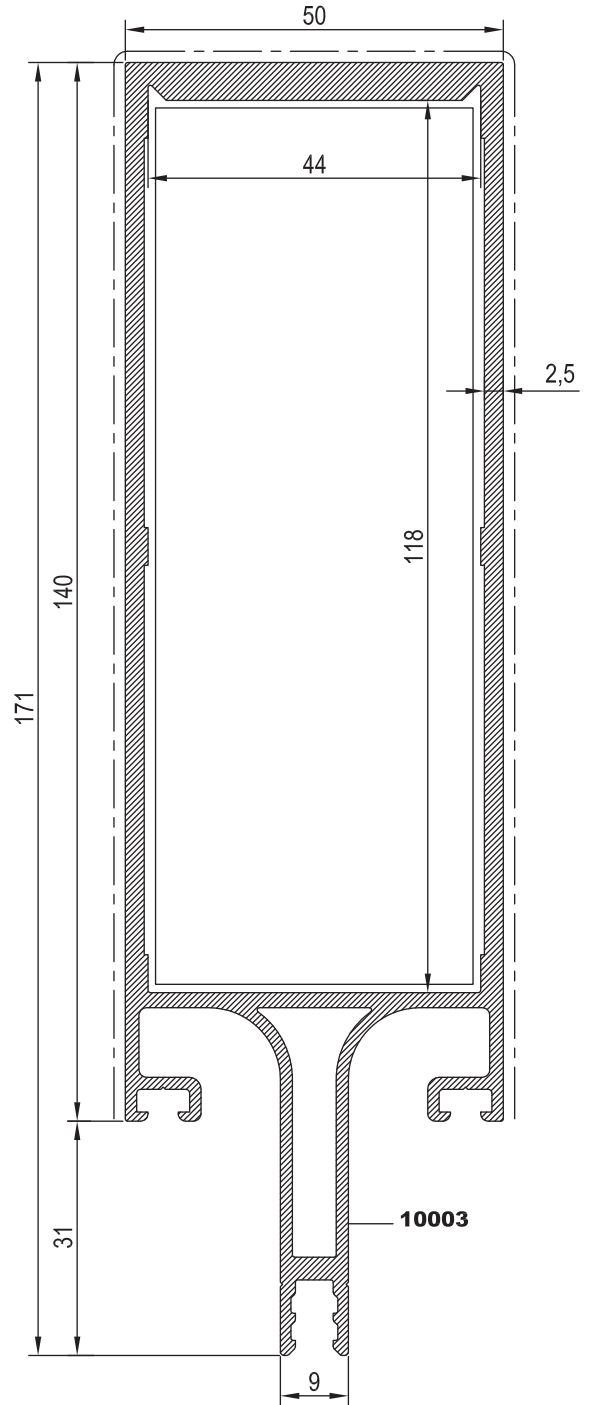
KOD / CODE	AĞIRLIK (kg/m) / WEIGHT	Jxx cm <sup>4</sup>	Jyy cm <sup>4</sup>	L m
R50 M 03	2,608	245,151	34,177	6
R50 M 04	3,318	362,162	45,975	6



R50 M 03



R50 M 04



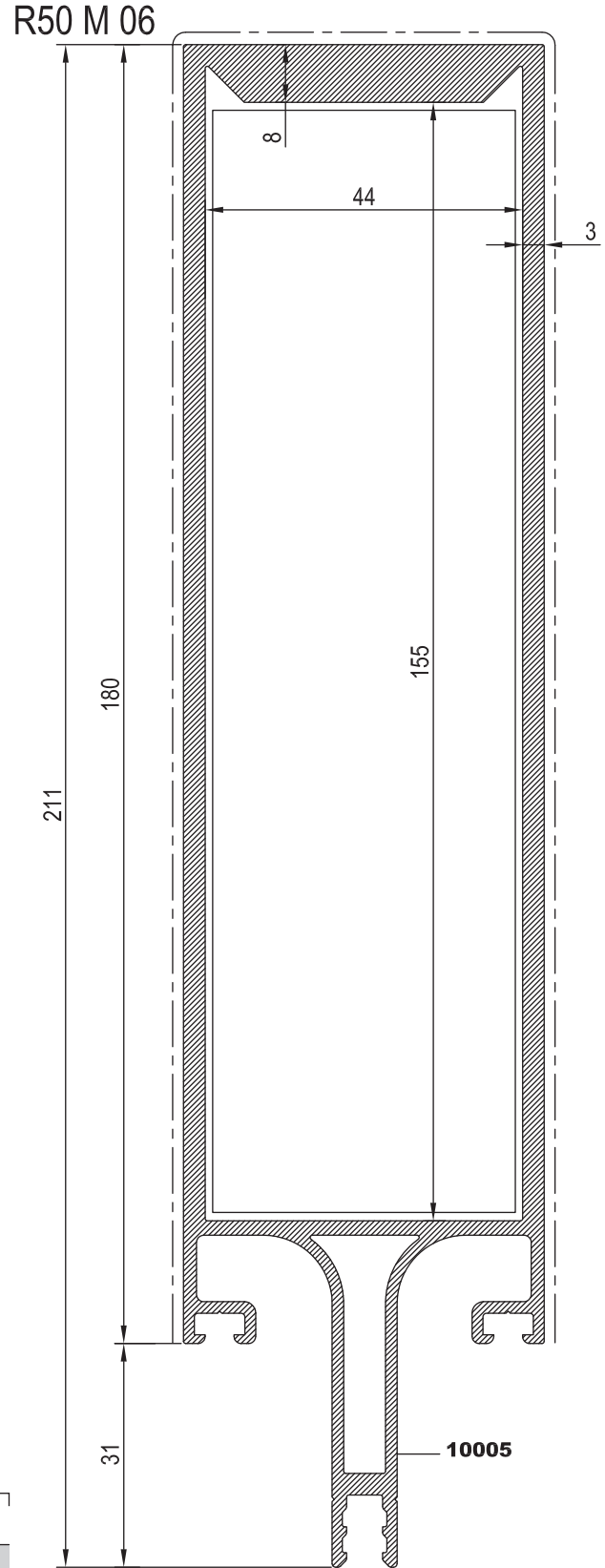
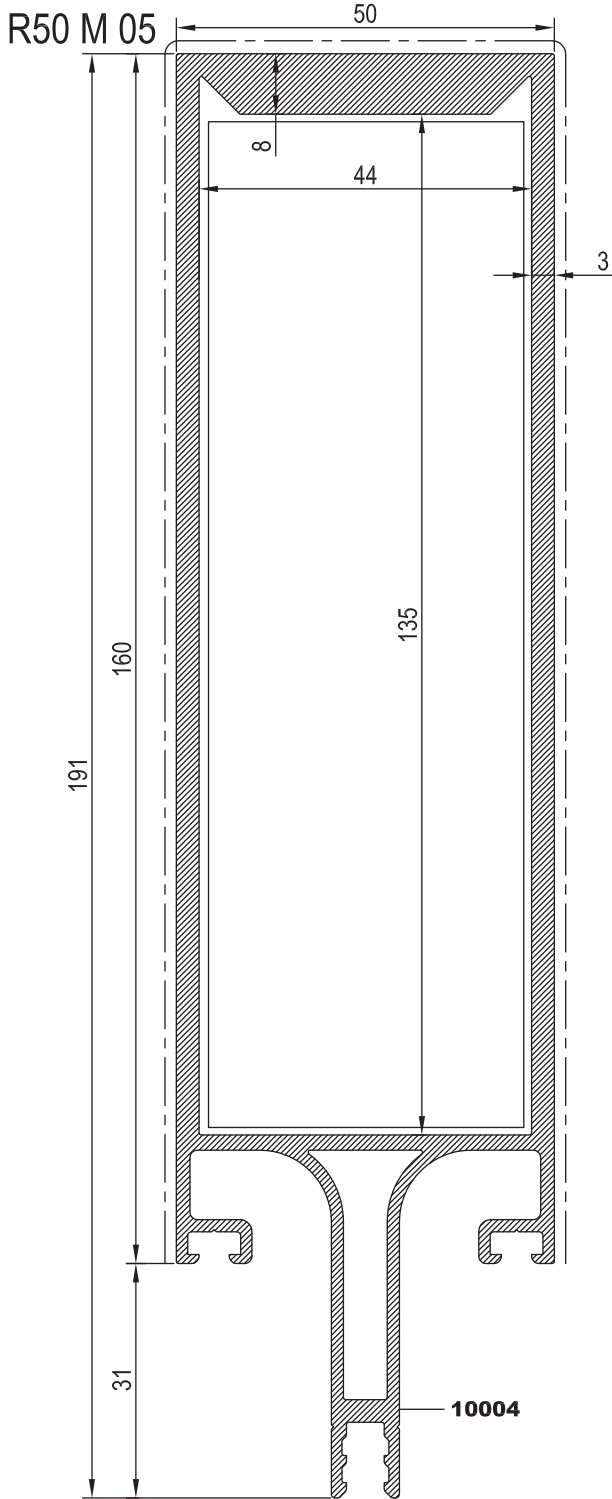
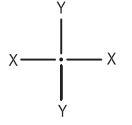
Nr	DÜŞEY BAĞLANTI PROFİLİ		MULLION CONNECTION PROFILE		KEŞİM ÖLÇÜSÜ CUTTING SIZE	
	PROFİL KODU / PROFILE CODE		AKSESUAR KODU / ACCESSORY CODE			
R50 M 03	10002	(10018-10083)		06.01.03.50R		98,5 mm
R50 M 04	10003	(10018-10083)		06.01.04.50R		117,5 mm

R50



DÜŞEY PROFİLLER  
MULLION PROFILES

KOD / CODE	AĞIRLIK (kg/m) / WEIGHT	Jxx cm <sup>4</sup>	Jyy cm <sup>4</sup>	L m
R50 M 05	4,208	572,604	58,900	6
R50 M 06	4,534	757,010	65,650	6



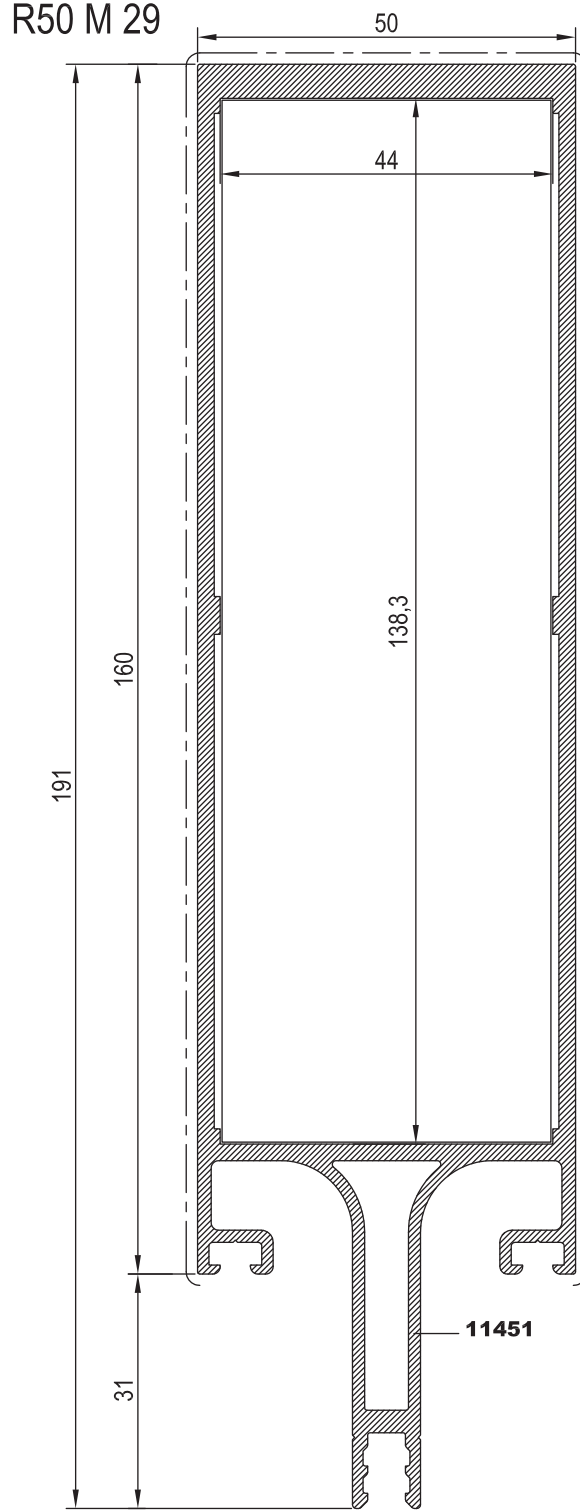
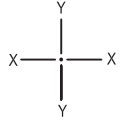
Nr	DÜŞEY BAĞLANTI PROFİLİ		MULLION CONNECTION PROFILE		KESİM ÖLÇÜSÜ CUTTING SIZE
	PROFİL KODU / PROFILE CODE		AKSESUAR KODU / ACCESSORY CODE		
R50 M 05	10004	(10018-10083)	06.01.05.50R		134,5 mm
R50 M 06	10005	(10018-10083)	06.01.06.50R		154,5 mm

R50



DÜŞEY PROFİLLER  
MULLION PROFILES

KOD / CODE	AĞIRLIK (kg/m) / WEIGHT	J <sub>xx</sub> cm <sup>4</sup>	J <sub>yy</sub> cm <sup>4</sup>	L m
R50 M 29	3,332	470,432	47,371	6

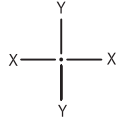


Nr	DÜŞEY BAĞLANTI PROFİLİ / MULLION CONNECTION PROFILE		KESİM ÖLÇÜSÜ / CUTTING SIZE
	PROFİL KODU / PROFILE CODE	AKSESUAR KODU / ACCESSORY CODE	
R50 M 29	11451	(10018-10083)	137,8 mm





KOD / CODE	AĞIRLIK (kg/m) / WEIGHT	J <sub>xx</sub> cm <sup>4</sup>	J <sub>yy</sub> cm <sup>4</sup>	L m
R50 M 26	4,976	1007,142	72,877	6
R50 M 07	2,758	122,535	73,460	6



21

22

23

24

25

26

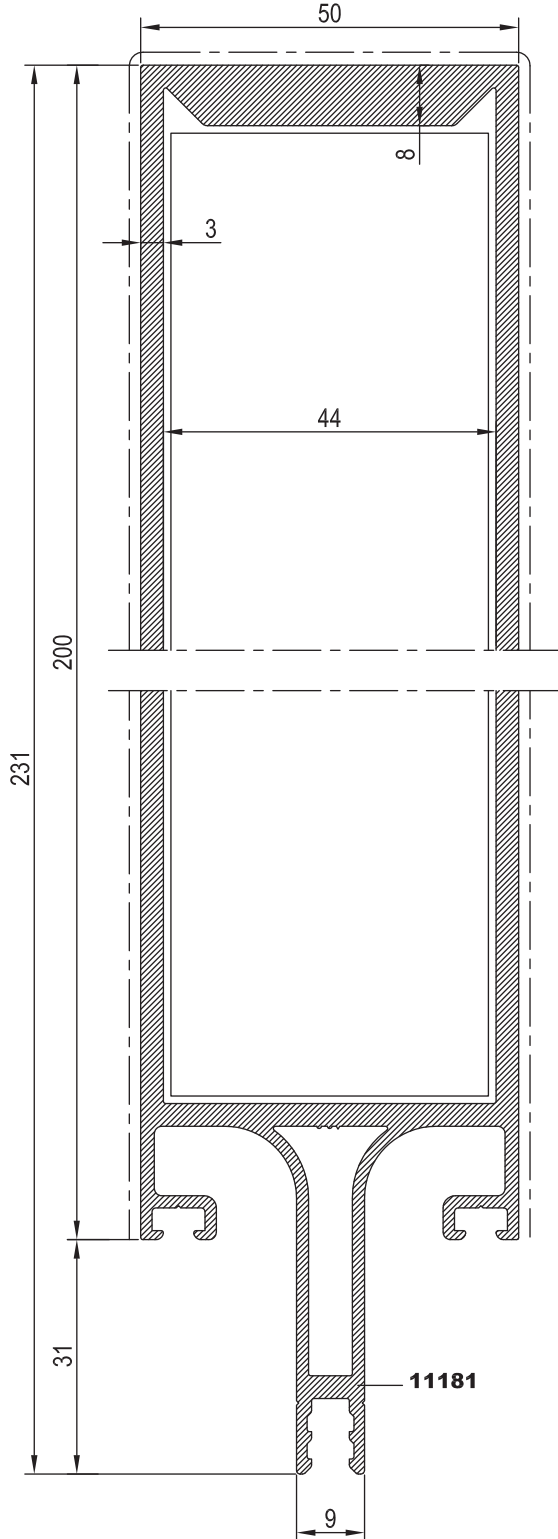
27

28

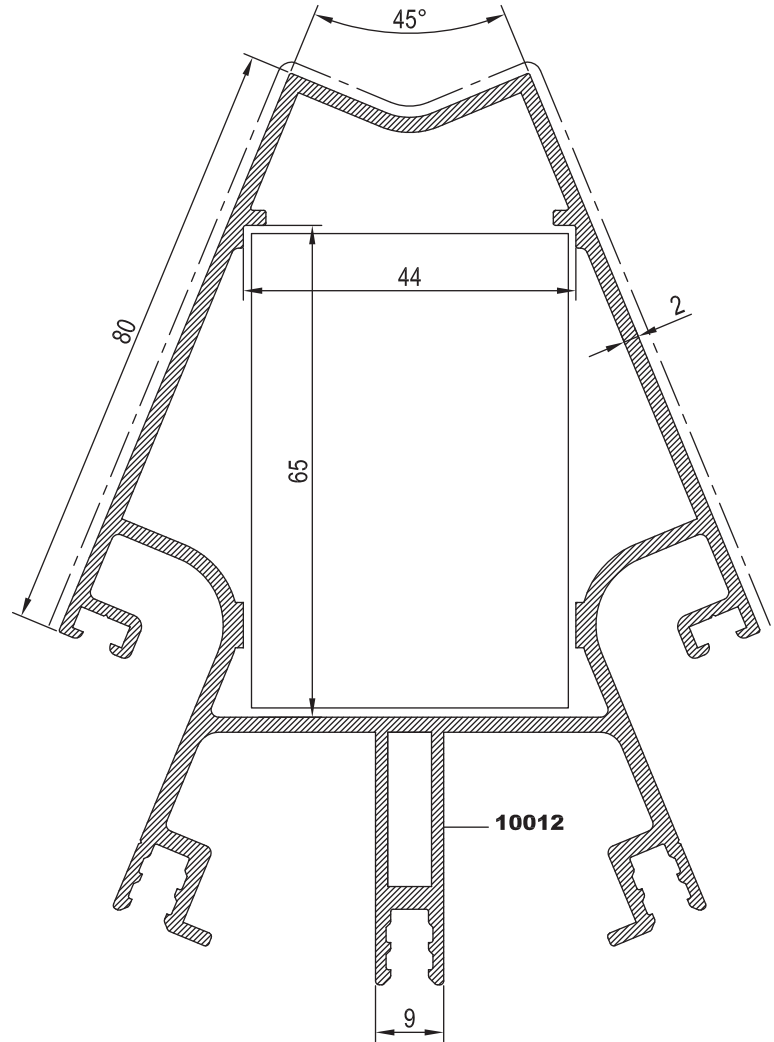
29

30

R50 M 26



R50 M 07



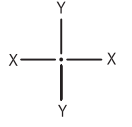
Nr	DÜŞEY BAĞLANTI PROFİLİ		MULLION CONNECTION PROFILE		KESİM ÖLÇÜSÜ CUTTING SIZE	
	PROFİL KODU / PROFILE CODE		AKSESUAR KODU / ACCESSORY CODE			
R50 M 26	11181	(10018-10083)		06.01.17.50R		173,5 mm
R50 M 07	10012	(10018-10083)		06.01.07.50R		64,5 mm

R50

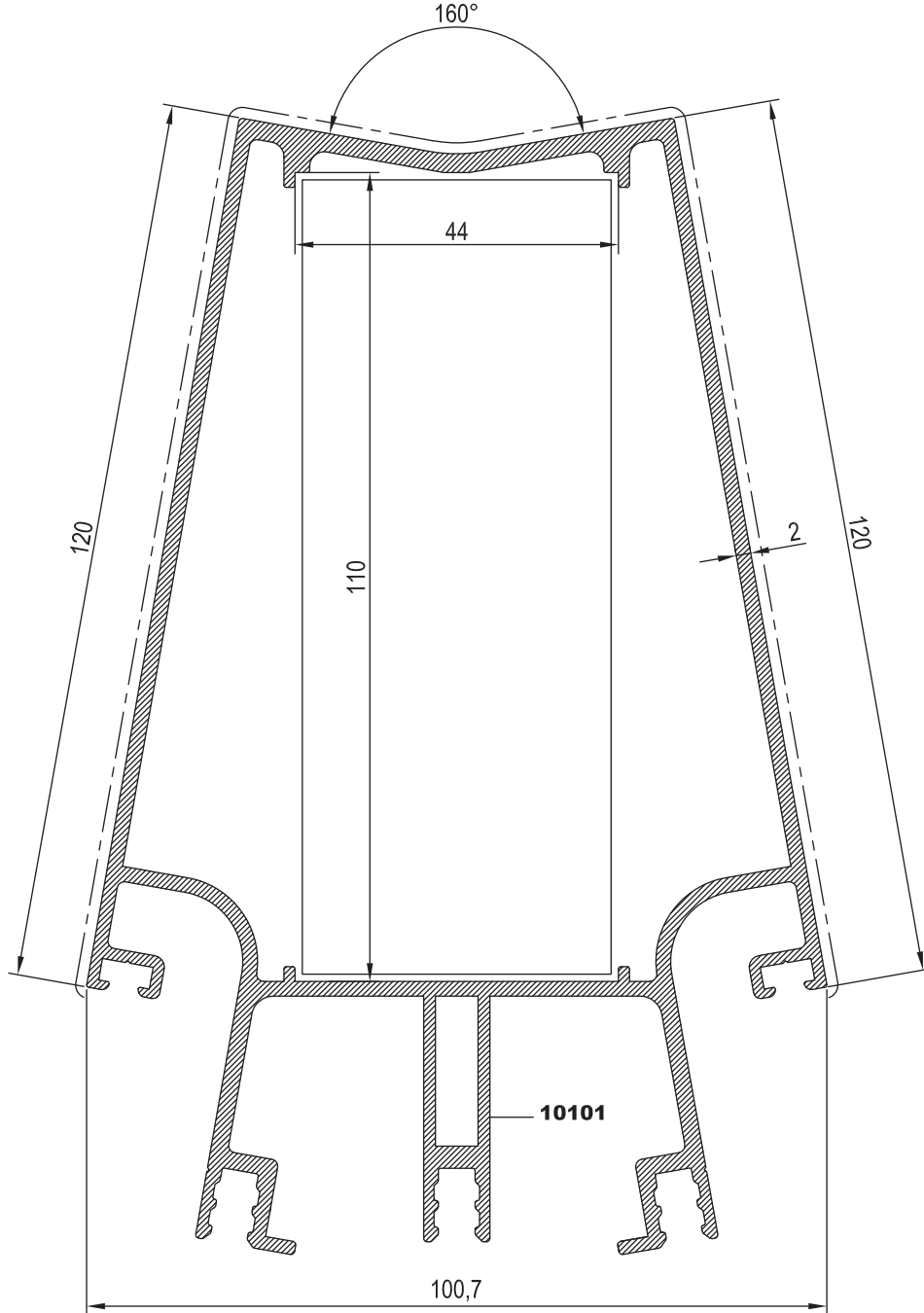


DÜŞEY PROFİLLER  
MULLION PROFILES

KOD / CODE	AĞIRLIK (kg/m) / WEIGHT	J <sub>xx</sub> cm <sup>4</sup>	J <sub>yy</sub> cm <sup>4</sup>	L m
R50 M 09	3,472	376,693	77,721	6



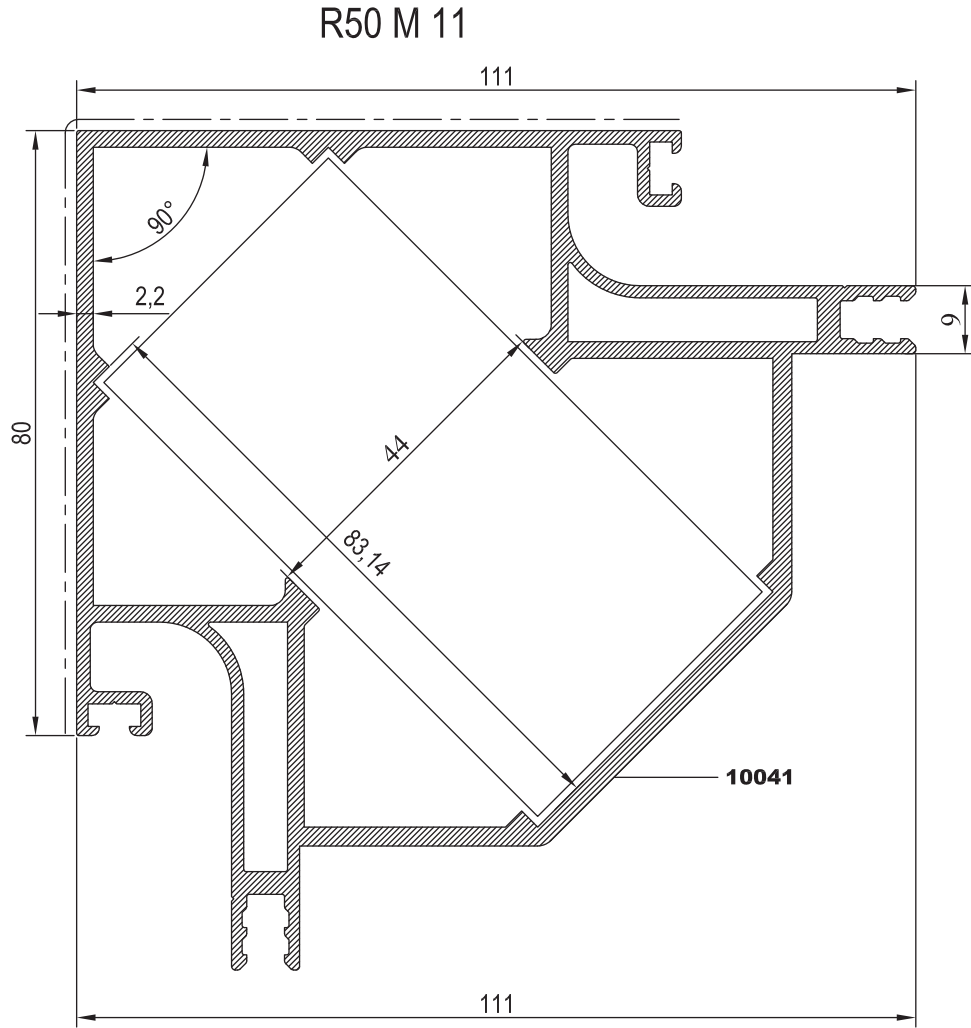
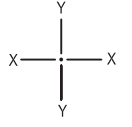
R50 M 09





Nr	DÜŞEY BAĞLANTI PROFİLİ / MULLION CONNECTION PROFILE		KESİM ÖLÇÜSÜ / CUTTING SIZE
	PROFİL KODU / PROFILE CODE	AKSESUAR KODU / ACCESSORY CODE	
R50 M 09	10101 (10018-10083)	06.01.09.50R	109,5 mm

**R50****DÜŞEY PROFİLLER**  
MULLION PROFILES

KOD / CODE	AĞIRLIK (kg/m) / WEIGHT	J <sub>xx</sub> cm <sup>4</sup>	J <sub>yy</sub> cm <sup>4</sup>	L m
R50 M 11	3,225	134,445	134,445	6



Nr	DÜŞEY BAĞLANTI PROFİLİ / MULLION CONNECTION PROFILE		KESİM ÖLÇÜSÜ / CUTTING SIZE	
	PROFİL KODU / PROFILE CODE	AKSESUAR KODU / ACCESSORY CODE		
R50 M 11	10041	(10018-10083) 	06.01.10.50R 	82,6 mm

21

22

23

24

25

26

27

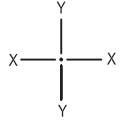
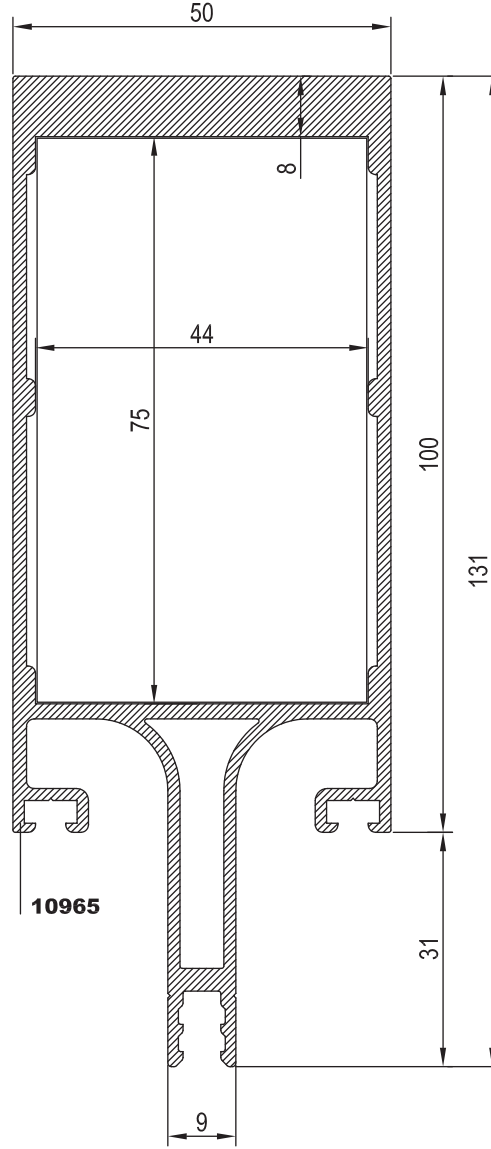
28



29

30

**R50****DÜŞEY PROFİLLER**  
MULLION PROFILES

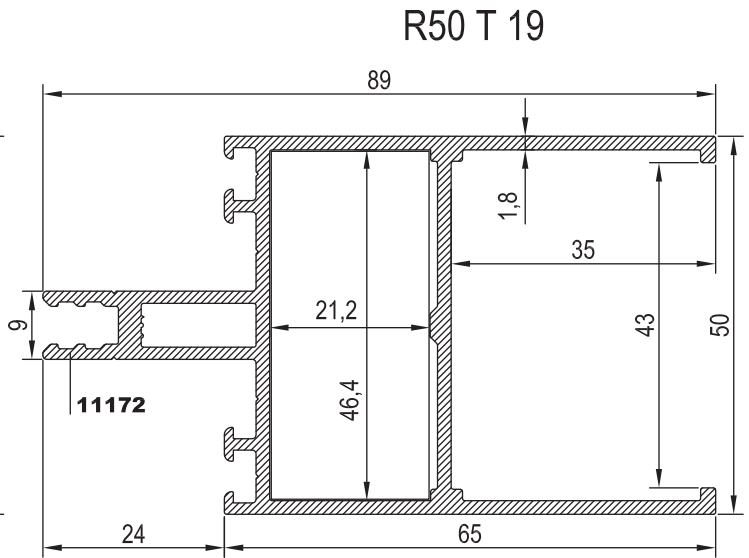
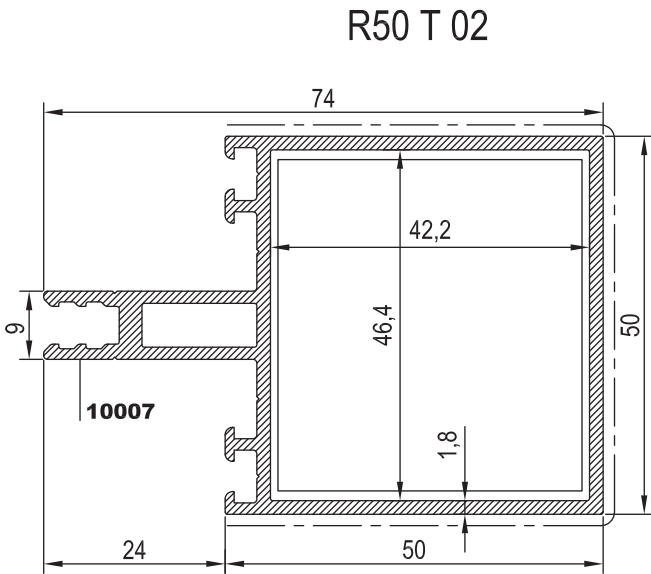
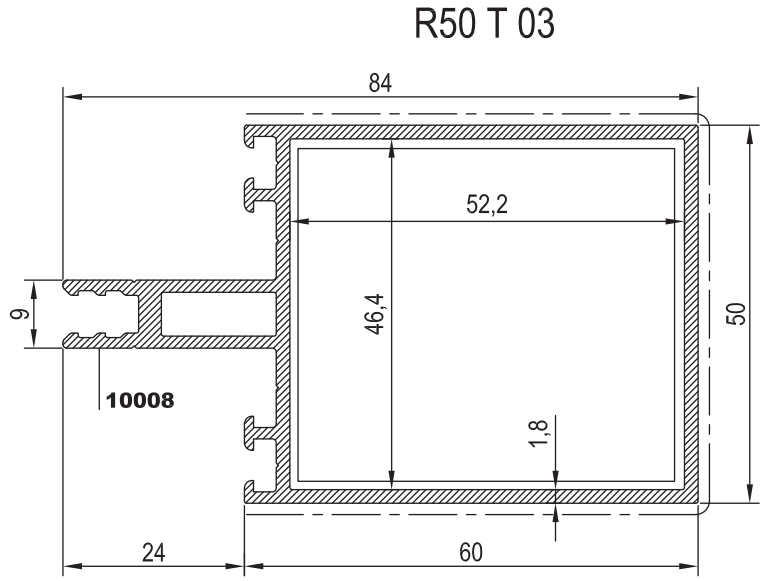
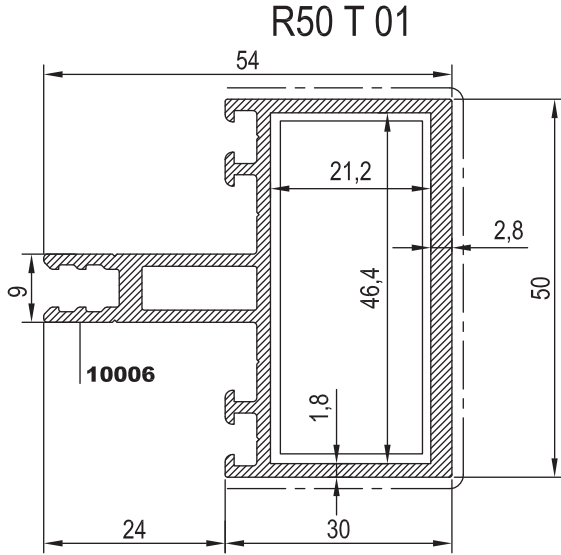
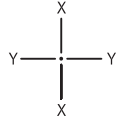
KOD / CODE	AĞIRLIK (kg/m) / WEIGHT	J <sub>xx</sub> cm <sup>4</sup>	J <sub>yy</sub> cm <sup>4</sup>	L m
R50 M 19	2,915	194,592	32,754	6

**R50 M 19**

Nr	DÜŞEY BAĞLANTI PROFİLİ / MULLION CONNECTION PROFILE		KESİM ÖLÇÜSÜ / CUTTING SIZE	
	PROFİL KODU / PROFILE CODE	AKSESUAR KODU / ACCESSORY CODE		
R50 M 19	10965	(10018-10083) 	06.01.16.50R 	74,5 mm



KOD / CODE	AĞIRLIK (kg/m) / WEIGHT	Jxx cm <sup>4</sup>	Jyy cm <sup>4</sup>	L m
R50 T 01	1,217	11,064	10,737	6
R50 T 02	1,288	23,948	14,073	6
R50 T 03	1,384	34,565	16,164	6
R50 T 19	1,485	27,084	17,928	6

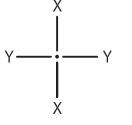


Nr	DÜŞEY BAĞLANTI PROFİLİ		MULLION CONNECTION PROFILE		KEŞİM ÖLÇÜSÜ CUTTING SIZE
	PROFİL KODU / PROFILE CODE	AKSESUAR KODU / ACCESSORY CODE	PROFİL KODU / PROFILE CODE	AKSESUAR KODU / ACCESSORY CODE	
R50 T 01	10006	(10026)	05.02.01.50R		20,7 mm
R50 T 02	10007	(10026)	05.02.02.50R		41,9 mm
R50 T 03	10008	(10026)	05.02.03.50R		51,9 mm

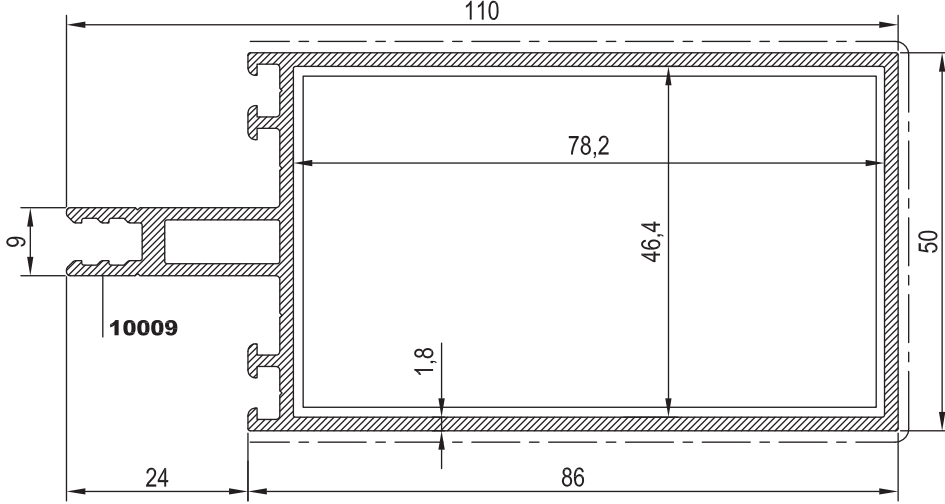
Nr	DÜŞEY BAĞLANTI PROFİLİ		MULLION CONNECTION PROFILE		KEŞİM ÖLÇÜSÜ CUTTING SIZE
	PROFİL KODU / PROFILE CODE	AKSESUAR KODU / ACCESSORY CODE	PROFİL KODU / PROFILE CODE	AKSESUAR KODU / ACCESSORY CODE	
R50 T 01	10006	(10756)	05.03.01.50R		20,9 mm
			05.03.11.50R		20,9 mm
			03.04.07.T01		23,0 mm
R50 T 02	10007	(10756)	05.03.02.50R		40,9 mm
			05.03.12.50R		41,9 mm
			03.04.07.T02		45,0 mm
R50 T 03	10008	(10756)	05.03.03.50R		50,9 mm
			05.03.13.50R		51,9 mm
			03.04.07.T03		55,0 mm



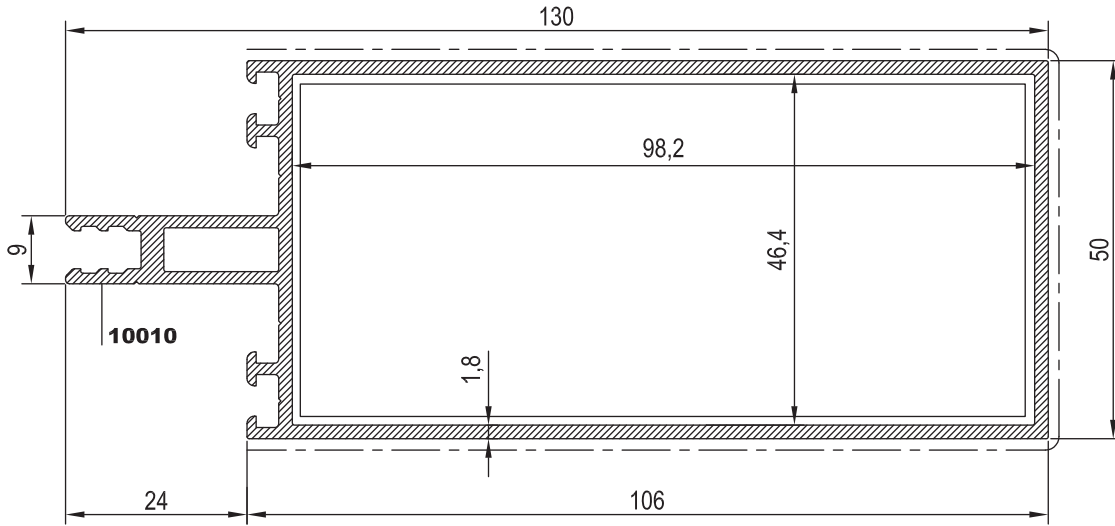
KOD / CODE	AĞIRLIK (kg/m) / WEIGHT	Jxx cm4	Jyy cm4	L m
R50 T 04	1,640	74,423	21,619	6
R50 T 05	1,834	118,723	25,803	6



R50 T 04



R50 T 05

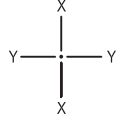


Nr	DÜŞEY BAĞLANTI PROFİLİ		MULLION CONNECTION PROFILE		KESİM ÖLÇÜSÜ CUTTING SIZE
	PROFİL KODU / PROFILE CODE		AKSESUAR KODU / ACCESSORY CODE		
R50 T 04	10009	(10026)	05.02.04.50R		77,8 mm
R50 T 05	10010	(10026)	05.02.05.50R		97,8 mm

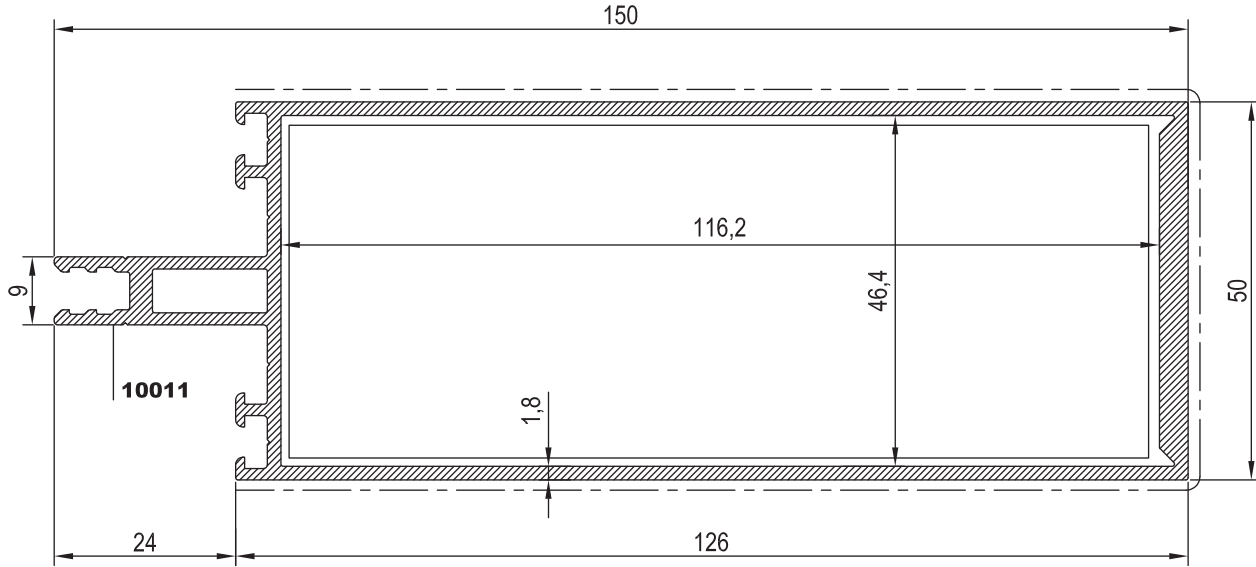
Nr	DÜŞEY BAĞLANTI PROFİLİ		MULLION CONNECTION PROFILE		KESİM ÖLÇÜSÜ CUTTING SIZE
	PROFİL KODU / PROFILE CODE		AKSESUAR KODU / ACCESSORY CODE		
R50 T 04	10009	(10756)	05.03.04.50R		76,9 mm
		(10757)	05.03.14.50R		77,8 mm
		EPDM	03.04.07.T04		81,0 mm
R50 T 05	10010	(10756)	05.03.05.50R		96,9 mm
		(10757)	05.03.15.50R		97,8 mm
		EPDM	03.04.07.T05		101,0 mm



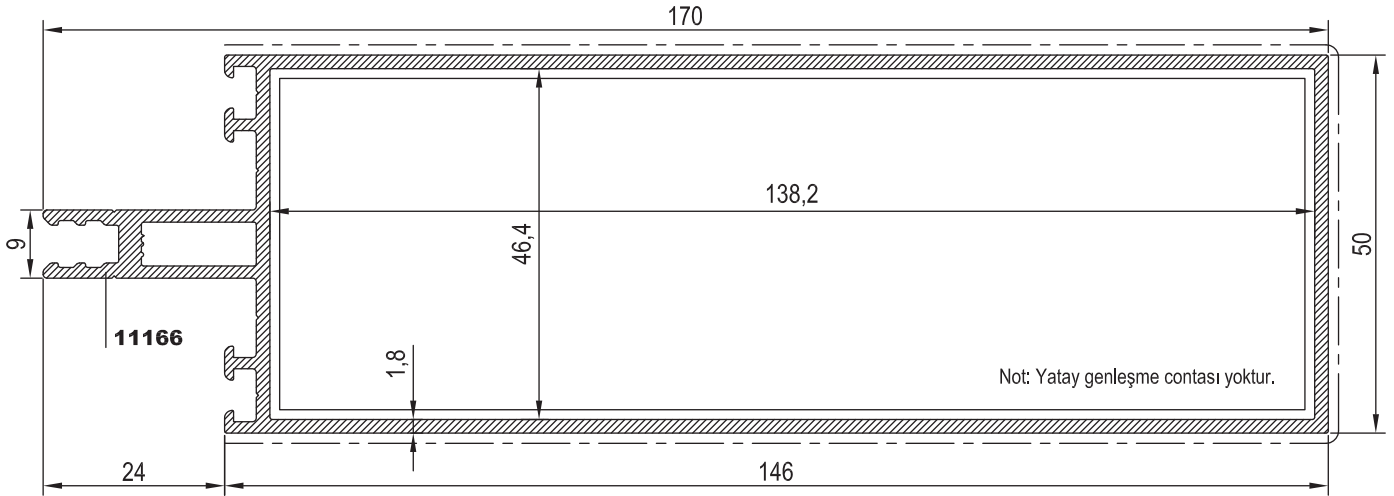
KOD / CODE	AĞIRLIK (kg/m) / WEIGHT	Jxx cm <sup>4</sup>	Jyy cm <sup>4</sup>	L m
R50 T 06	2,266	216,994	31,366	6
R50 T 17	2,227	249,355	34,169	6



## R50 T 06



## R50 T 17

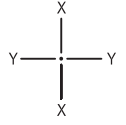


Nr	DÜŞEY BAĞLANTI PROFİLİ		MULLION CONNECTION PROFILE		KEŞİM ÖLÇÜSÜ CUTTING SIZE
	PROFİL KODU / PROFILE CODE		AKSESUAR KODU / ACCESSORY CODE		
R50 T 06	10011	(10026)	05.02.06.50R		115,8 mm
R50 T 17	11166	(10026)	05.02.09.50R		137,8 mm

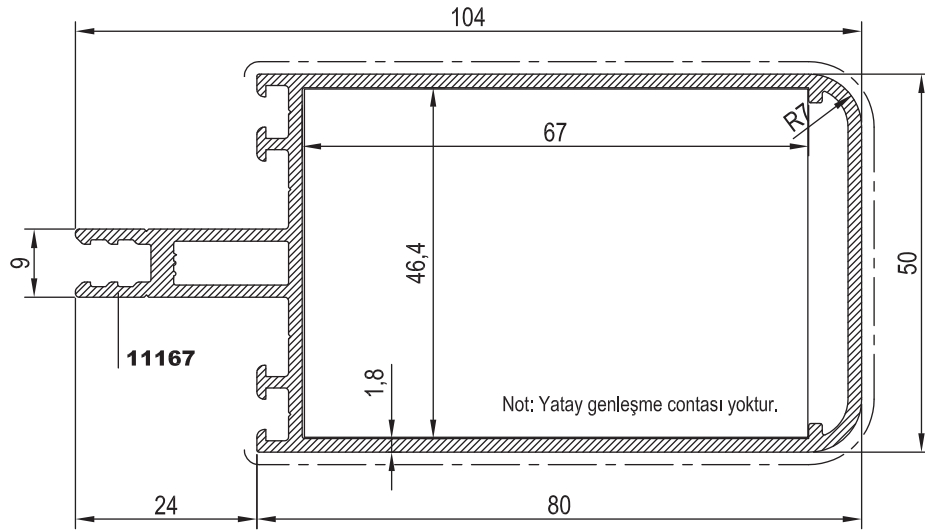
Nr	DÜŞEY BAĞLANTI PROFİLİ		MULLION CONNECTION PROFILE		KEŞİM ÖLÇÜSÜ CUTTING SIZE
	PROFİL KODU / PROFILE CODE		AKSESUAR KODU / ACCESSORY CODE		
R50 T 06	10011	(10756)	05.03.06.50R		116,9 mm
		(10757)	05.03.16.50R		115,8 mm
		EPDM	03.04.07.T06		120,0 mm



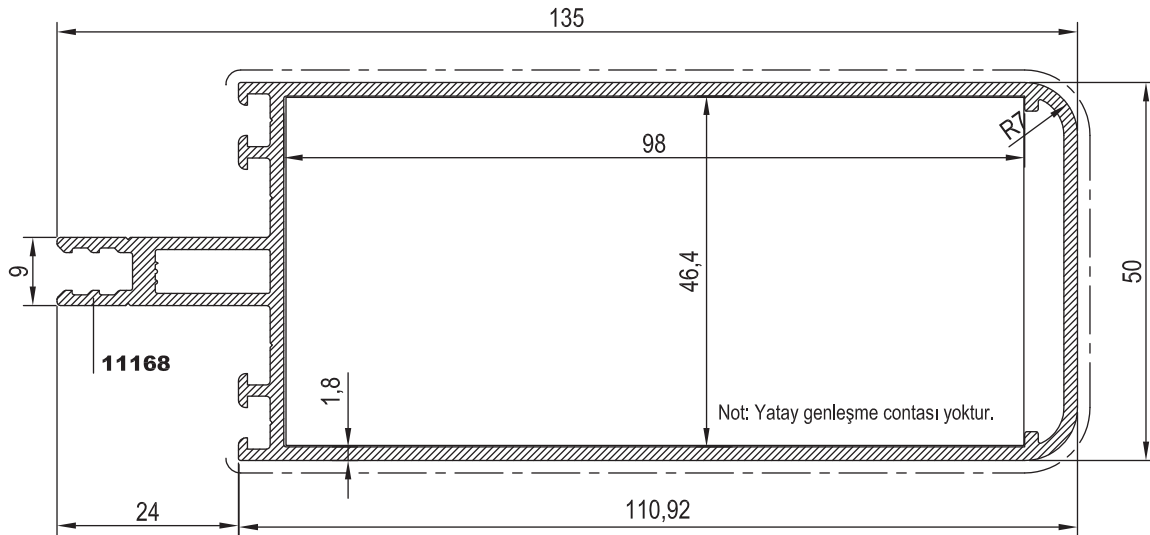
KOD / CODE	AĞIRLIK (kg/m) / WEIGHT	J <sub>xx</sub> cm <sup>4</sup>	J <sub>yy</sub> cm <sup>4</sup>	L m
R50 T 15	1,576	62,543	20,106	6
R50 T 16	1,878	130,243	26,591	6



## R50 T 15



## R50 T 16

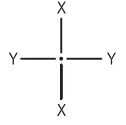


Nr	DÜŞEY BAĞLANTI PROFİLİ		MULLION CONNECTION PROFILE		KESİM ÖLÇÜSÜ CUTTING SIZE	
	PROFİL KODU / PROFILE CODE	AKSESUAR KODU / ACCESSORY CODE	PROFİL KODU / PROFILE CODE	AKSESUAR KODU / ACCESSORY CODE		
R50 T 15	11167	(10026)		05.02.07.50R		66,6 mm
R50 T 16	11168	(10026)		05.02.08.50R		97,6 mm

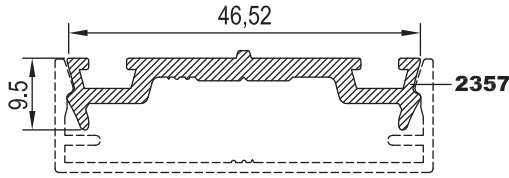




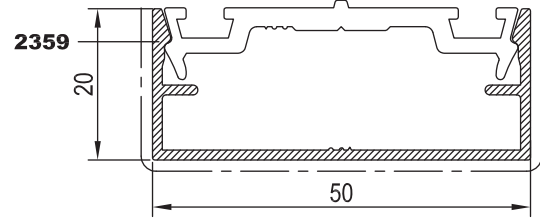
KOD / CODE	AĞIRLIK (kg/m) / WEIGHT	L m	KOD / CODE	AĞIRLIK (kg/m) / WEIGHT	L m
R50 P 01	0,435	6	R50 P 20	0,248	6
R50 P 02	0,302	6	R50 P 27	0,707	6
R50 P 03	0,372	6	R50 P 29	0,424	6
R50 P 15	0,330	6	R50 P 19	0,419	6
R50 P 16	0,250	6			



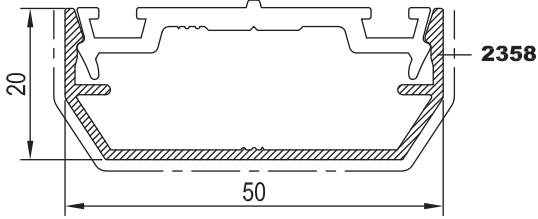
R50 P 01



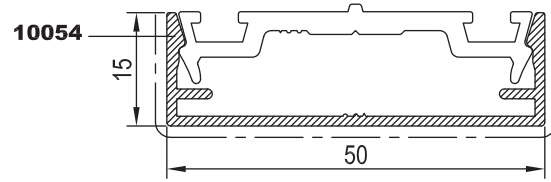
R50 P 03



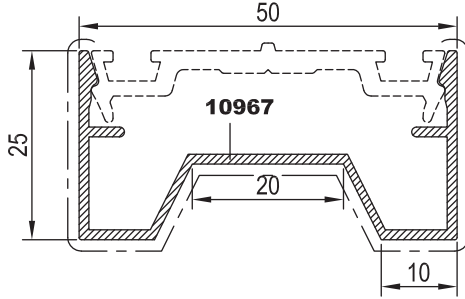
R50 P 02



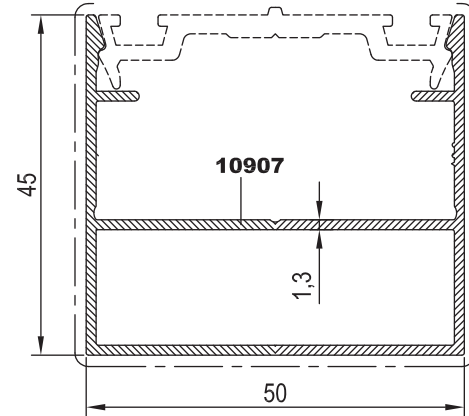
R50 P 15



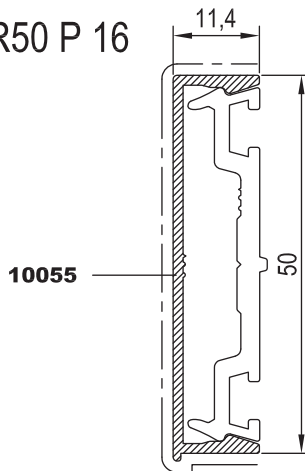
R50 P 29



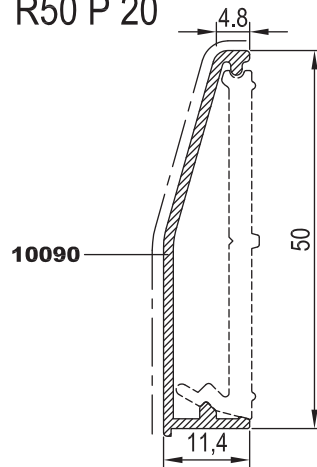
R50 P 27



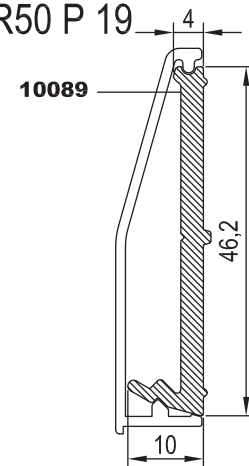
R50 P 16



R50 P 20

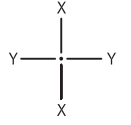


R50 P 19





KOD / CODE	AĞIRLIK (kg/m) / WEIGHT	L m	KOD / CODE	AĞIRLIK (kg/m) / WEIGHT	L m
R50 P 06	1,188	6	R50 P 34	0,686	6
R50 P 25	3,132	6			
R50 P 32	0,850	6			



21

22

23

24

25

26

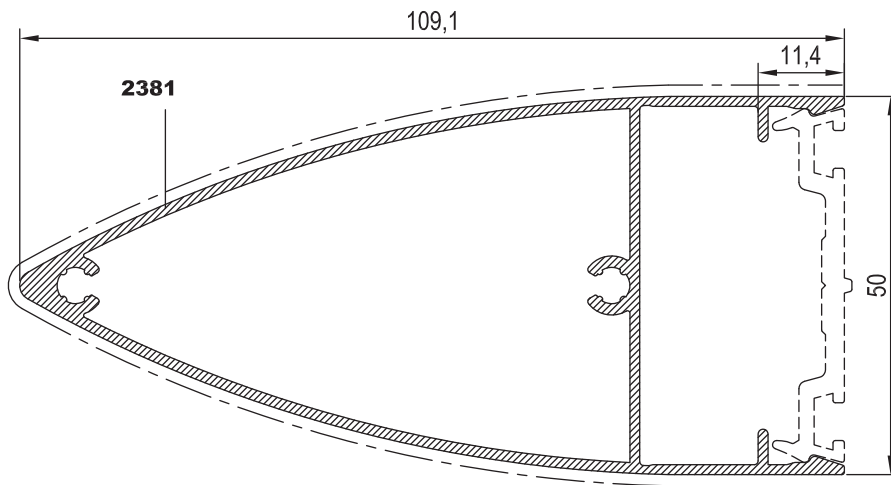
27

28

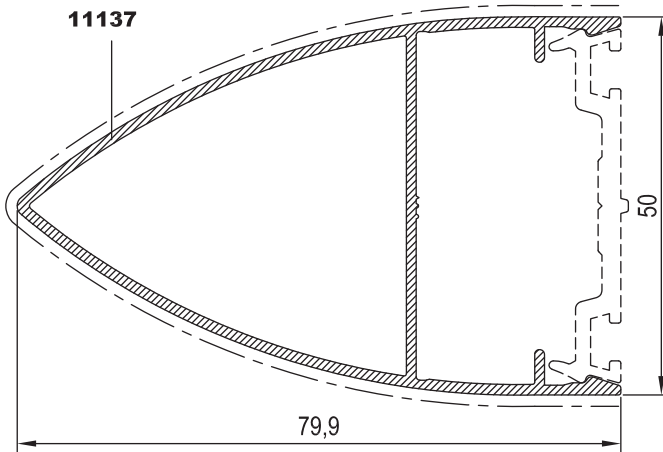
29

30

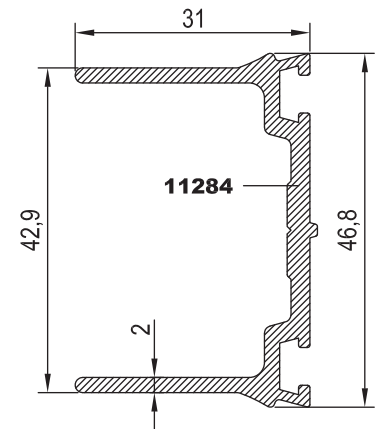
R50 P 06



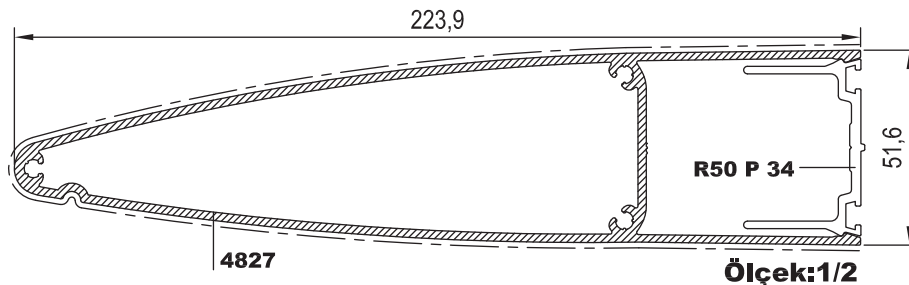
R50 P 32



R50 P 34

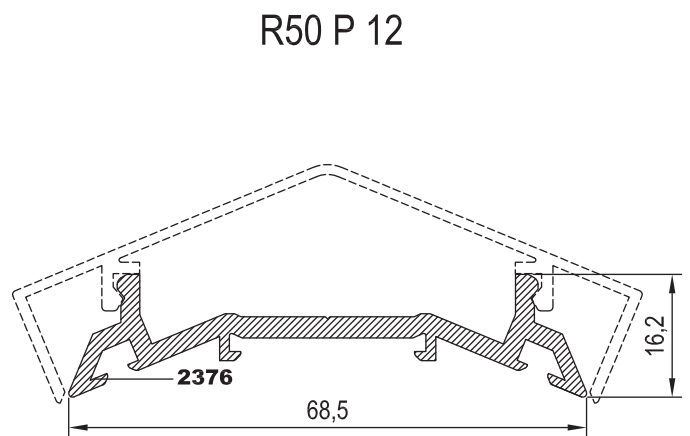
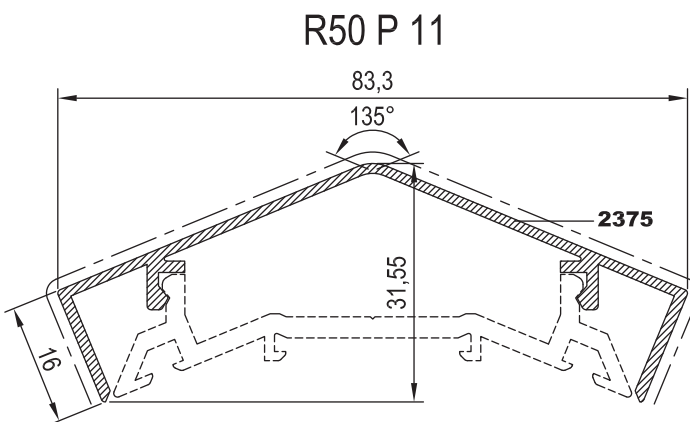
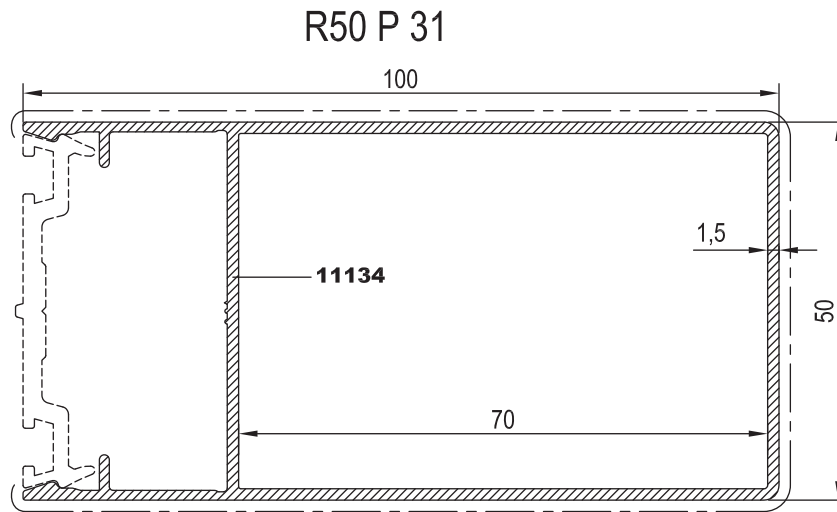
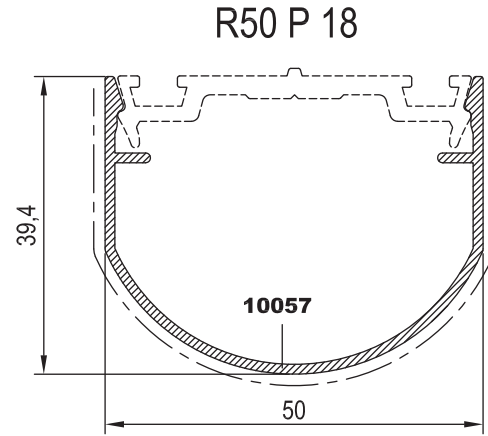
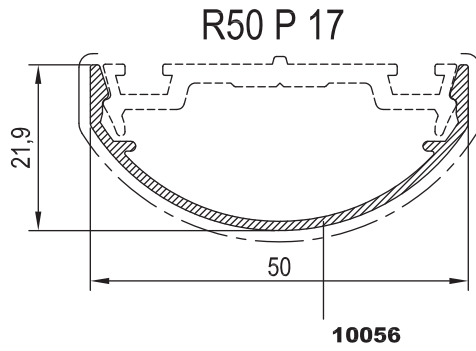


R50 P 25



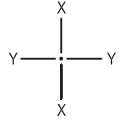
**R50**
**BASKI KAPAK PROFİLLERİ**  
**CAP PROFILES**

KOD / CODE	AĞIRLIK (kg/m) / WEIGHT	L m	KOD / CODE	AĞIRLIK (kg/m) / WEIGHT	L m	
R50 P 31	1,212	6	R50 P 11	0,526	6	
R50 P 17	0,291	6	R50 P 12	0,704	6	
R50 P 18	0,439	6				

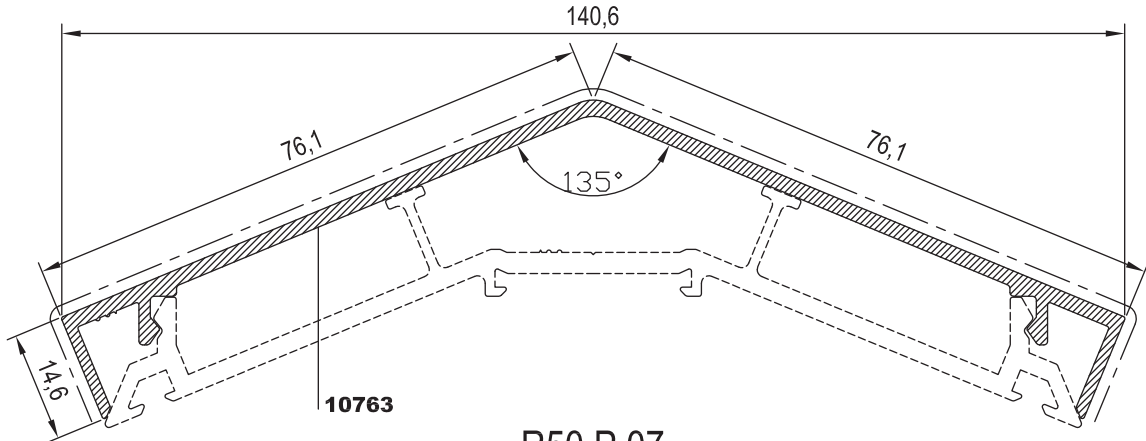




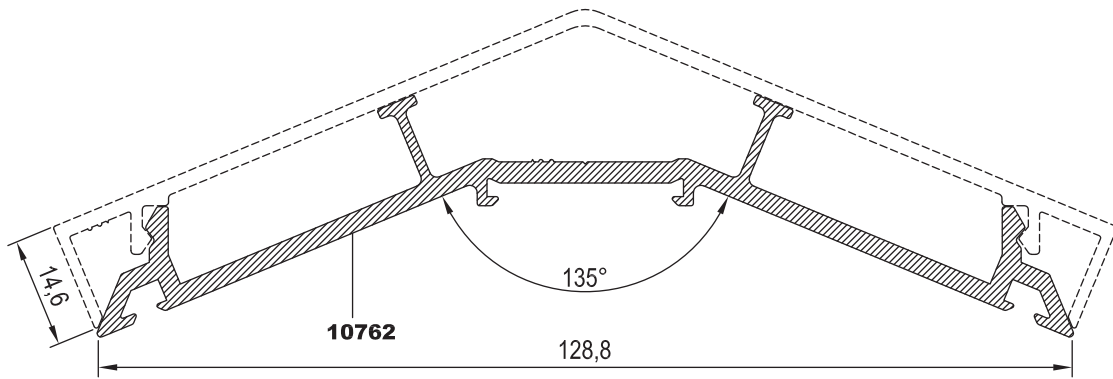
KOD / CODE	AĞIRLIK (kg/m) / WEIGHT	L m	KOD / CODE	AĞIRLIK (kg/m) / WEIGHT	L m
R50 P 08	0,994	6	R50 P 21	0,872	6
R50 P 07	1,270	6			
R50 P 22	0,580	6			



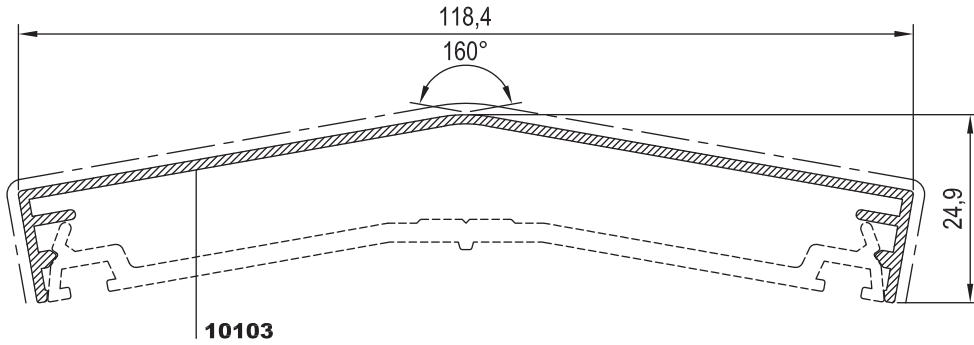
R50 P 08



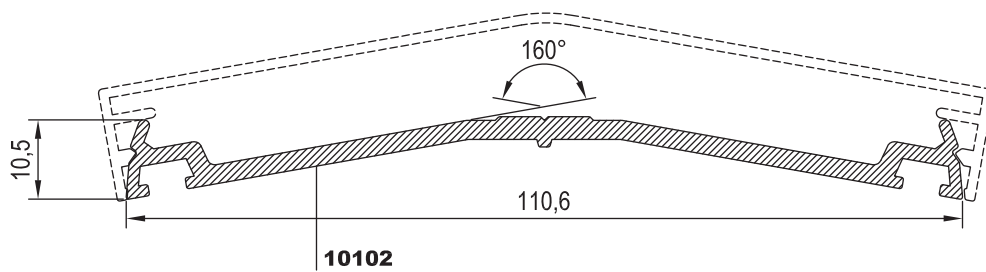
R50 P 07



R50 P 22

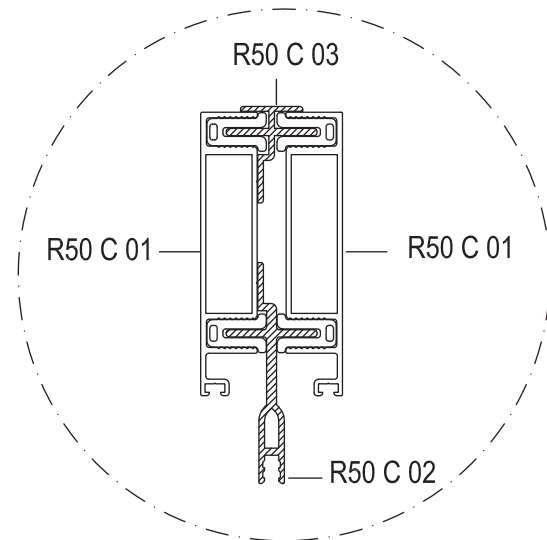
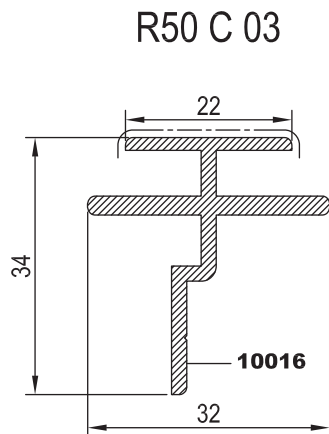
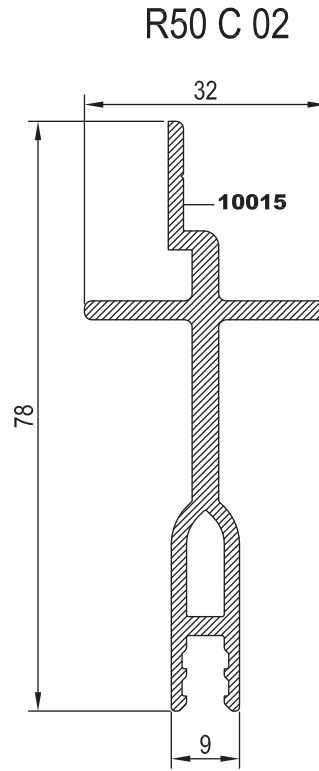
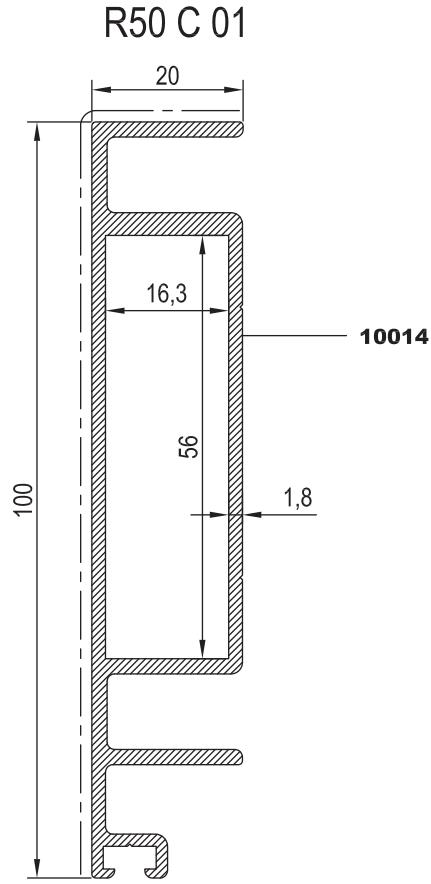
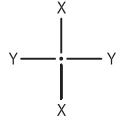


R50 P 21





KOD / CODE	AĞIRLIK (kg/m) / WEIGHT	J <sub>xx</sub> cm <sup>4</sup>	J <sub>yy</sub> cm <sup>4</sup>	L m ←→
R50 C 01	1,268	44,462	2,714	6
R50 C 02	0,960	14,529	0,849	6
R50 C 03	0,495	1,299	0,852	6



21

22

23

24

25

26

27

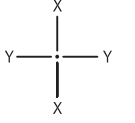
28

29

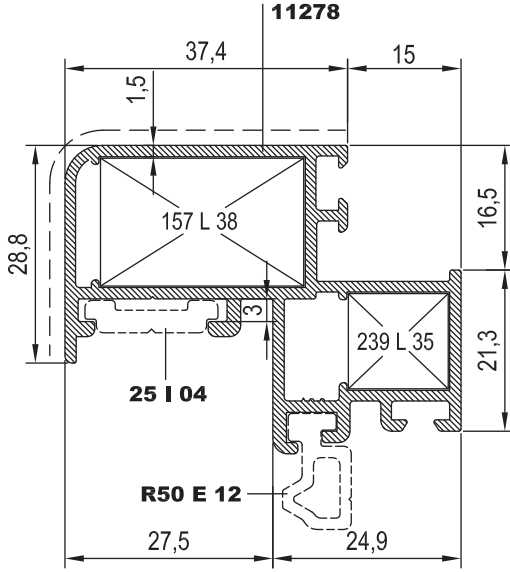
30



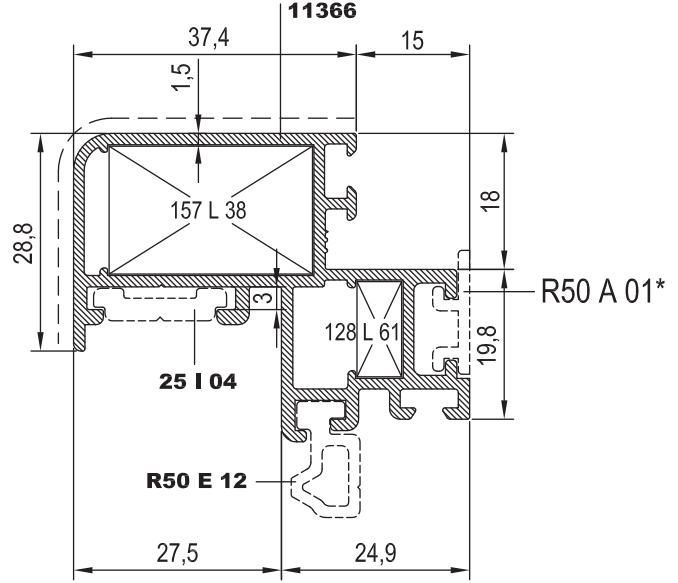
KOD / CODE	AĞIRLIK (kg/m) / WEIGHT	Jxx cm <sup>4</sup>	Jyy cm <sup>4</sup>	L m
R50 V 26	0,927	8,680	4,852	6
R50 V 28	0,940	8,277	4,915	6
R50 V 27	1,012	10,872	5,245	6
R50 V 30	1,254	15,082	5,245	6



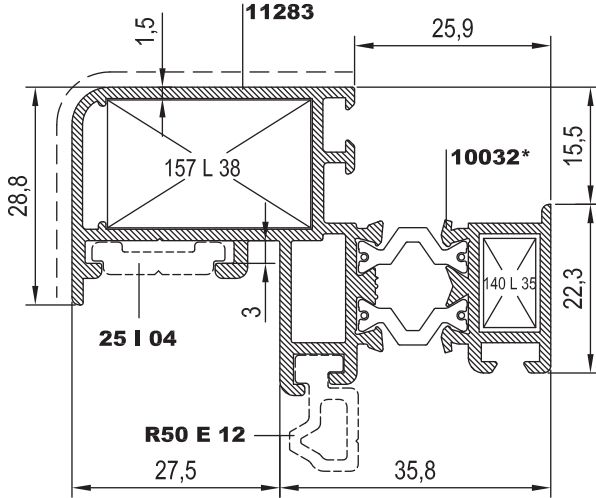
R50 V 26



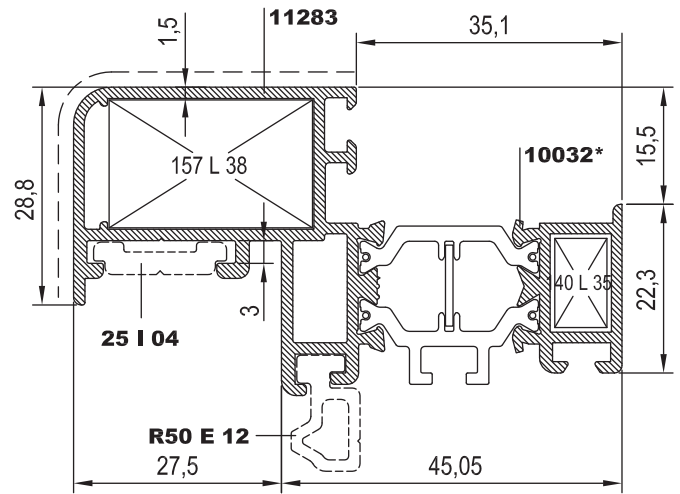
R50 V 28



R50 V 27



R50 V 30



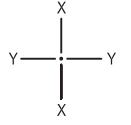
\* : BU PROFİLLER AS-M4 (SİYAH ELOKSAL) ÖNERİLMEKTEDİR.

Nr	L m	KESİM ÖLÇÜSÜ CUTTING SIZE	AKS. KODU ACS. CODE	
R50 V 26	11278	25 L 38 (2074)	27,0 mm	157 L 38
		25 L 35 (10076)	13,8 mm	239 L 35
R50 V 28	11366	25 L 38 (2074)	27,0 mm	157 L 38
		25 L 61 (1034)	5,9 mm	128 L 61

Nr	L m	KESİM ÖLÇÜSÜ CUTTING SIZE	AKS. KODU ACS. CODE	
R50 V 27	10032	25 L 38 (2074)	27,0 mm	157 L 38
		25 L 35 (10076)	7,8 mm	140 L 35
R50 V 30	10032	25 L 38 (2074)	27,0 mm	157 L 38
		25 L 35 (10076)	7,8 mm	140 L 35

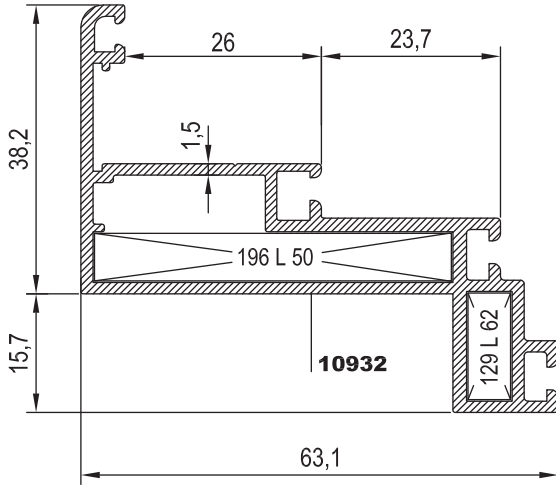


KOD / CODE	AĞIRLIK (kg/m) / WEIGHT	J <sub>xx</sub> cm <sup>4</sup>	J <sub>yy</sub> cm <sup>4</sup>	L m
R50 H 06	1,012	17,114	5,870	6
R50 H 07	1,110	26,073	5,939	6
R50 H 09	1,046	14,837	4,391	6
R50 H 11	1,057	15,343	4,371	6

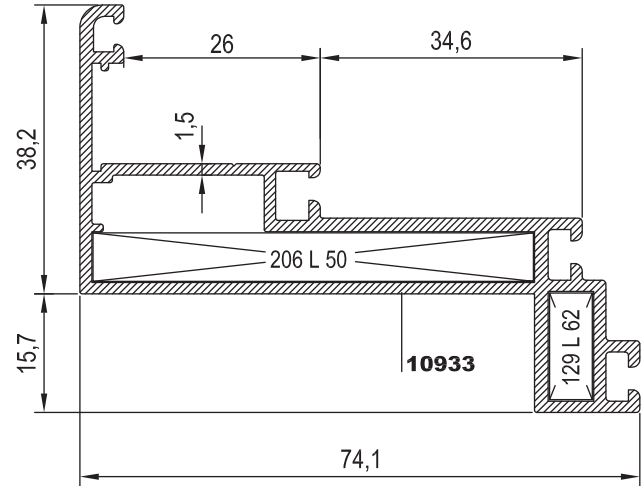


21

R50 H 06



R50 H 07

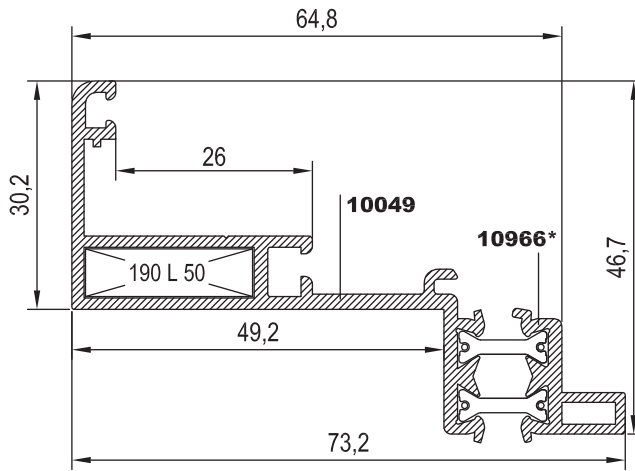


22

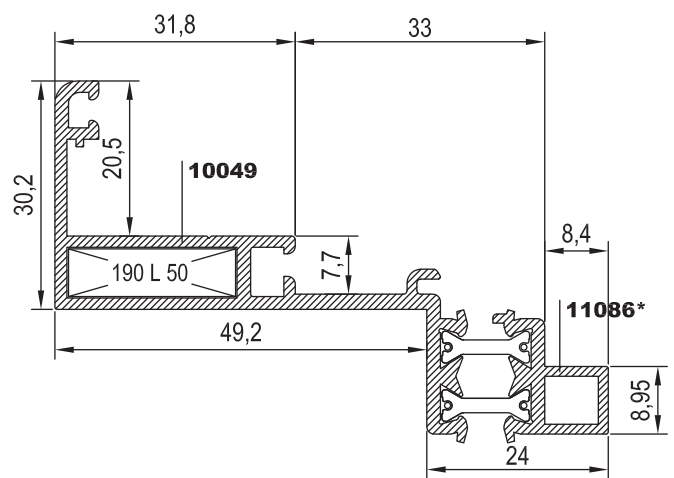
23

24

R50 H 09



R50 H 11



25

26

27

28

\* : BU PROFİLLER AS-M4 (SİYAH ELOKSAL) ÖNERİLMEKTEDİR.

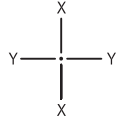
Nr		L m	KESİM ÖLÇÜSÜ CUTTING SIZE	AKS. KODU ACS. CODE
R50 H 06	10932	25 L 50 (10838)	47,2 mm	196 L 50
		25 L 62 (2442)	5,7 mm	129 L 62
R50 H 07	10933	25 L 50 (10838)	58,2 mm	206 L 50
		25 L 62 (2442)	5,7 mm	129 L 62
R50 H 09	10049	25 L 50 (10838)	22,2 mm	190 L 50
R50 H 11	10049	25 L 50 (10838)	22,2 mm	190 L 50

29

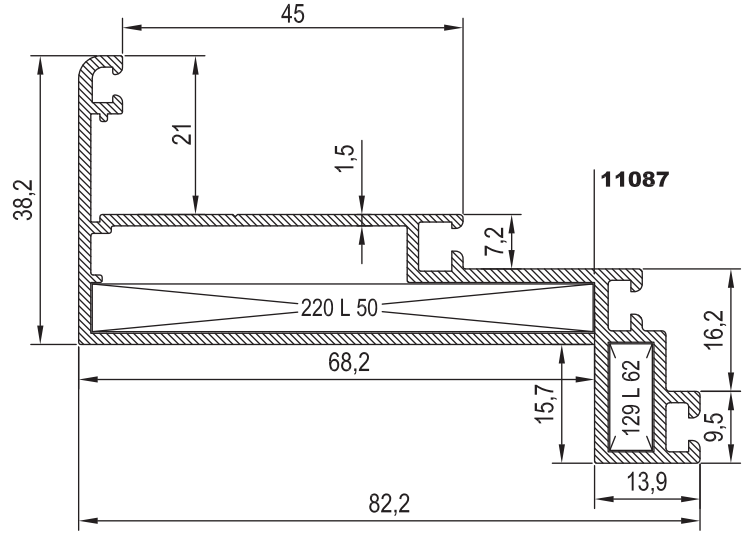
30



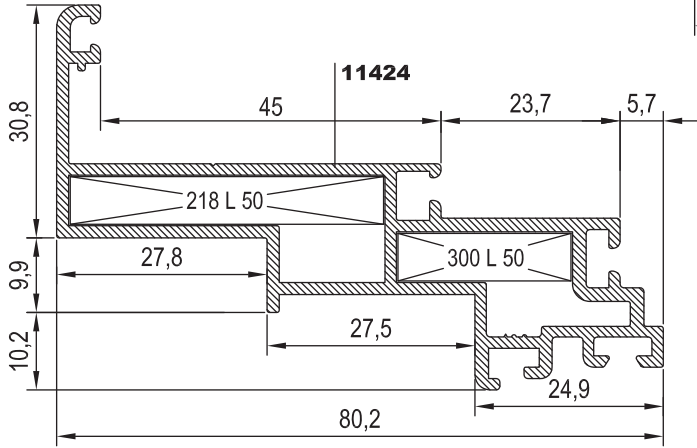
KOD / CODE	AĞIRLIK (kg/m) / WEIGHT	Jxx cm4	Jyy cm4	L m
R50 H 12	1,163	33,975	6,243	6
R50 H 16	1,196	28,947	5,449	6
R50 V 22	1,111	19,984	6,374	6



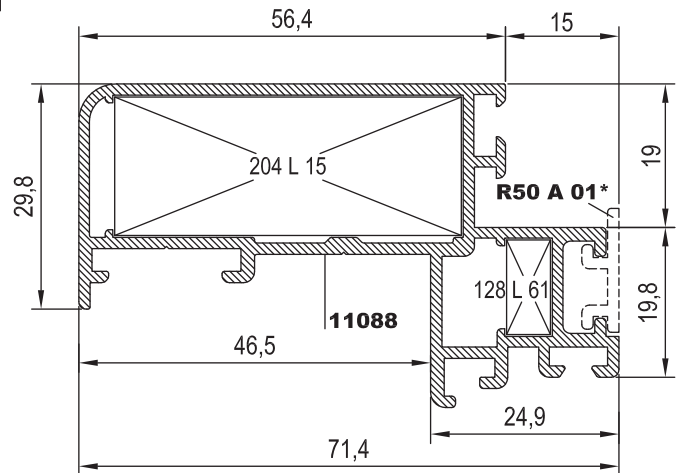
R50 H 12



R50 H 16



R50 V 22



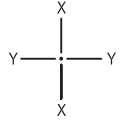
\* : BU PROFİLLER AS-M4 (SİYAH ELOKSAL) ÖNERİLMEKTEDİR.

Nr	L m	KESİM ÖLÇÜSÜ CUTTING SIZE	AKS. KODU ACS. CODE	
R50 H 12	11087	25 L 50 (10838)	66,2 mm	220 L 50
		25 L 62 (2442)	5,7 mm	129 L 62
R50 H 16	11424	25 L 50 (10838)	41,5 mm	218 L 50
		25 L 50 (10838)	22,9 mm	300 L 50
R50 V 22	11088	25 L 15 (2060)	45,9 mm	204 L 15
		25 L 61 (1034)	5,9 mm	128 L 61





KOD / CODE	AĞIRLIK (kg/m) / WEIGHT	L m	KOD / CODE	AĞIRLIK (kg/m) / WEIGHT	L m
R50 A 01	0,105	6			
25 I 04	0,153	6			
R50 S 01	0,207	6			
R50 E 12	0,188	6			
R50 B 02	0,802	6			



21

22

23

24

25

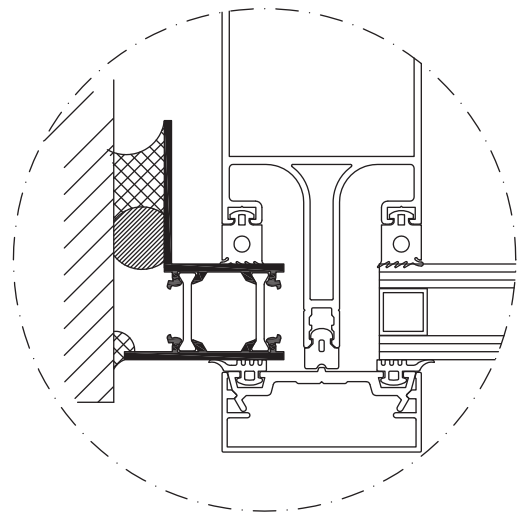
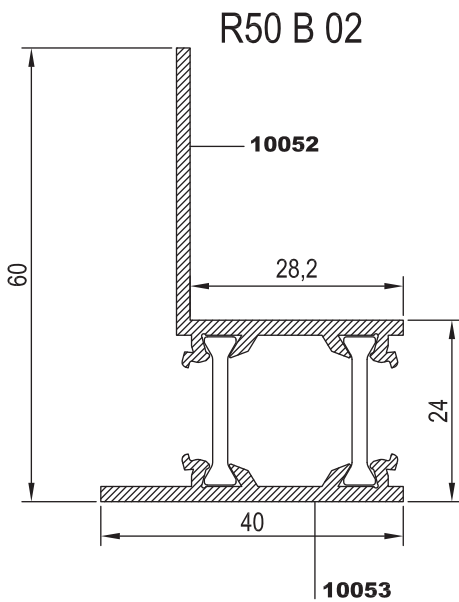
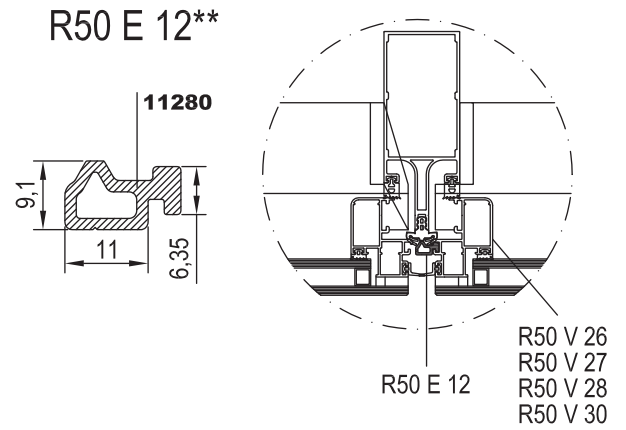
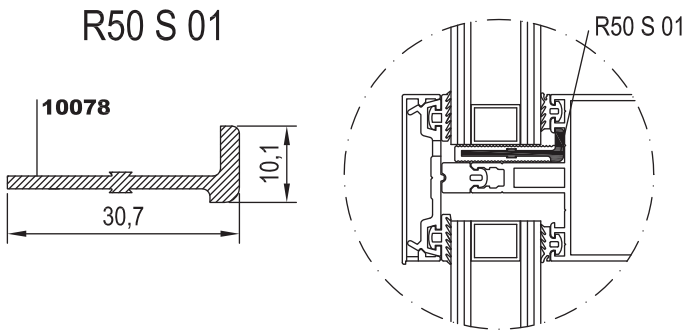
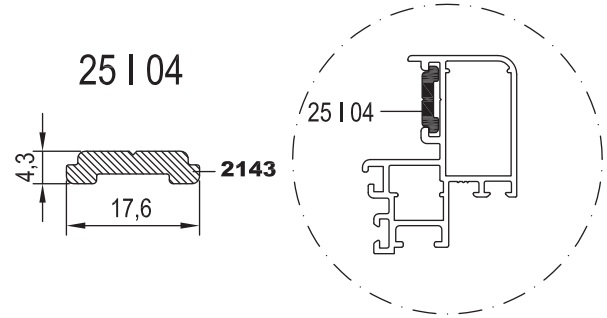
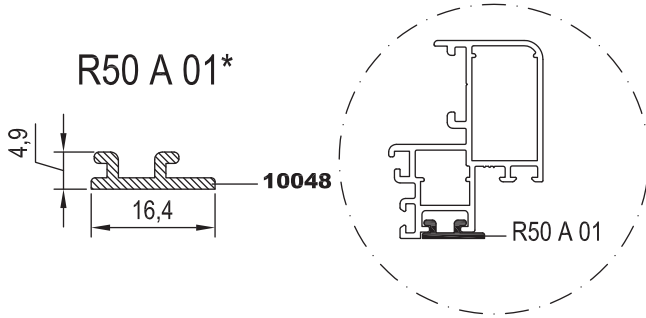
26

27

28

29

30

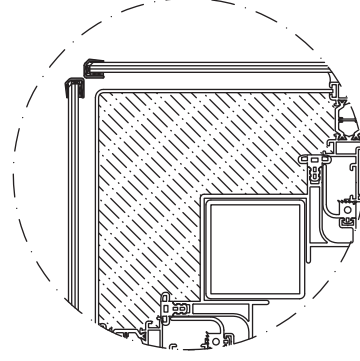
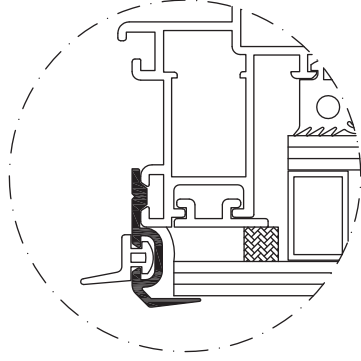


\* BU PROFİLDE AS-m4 (SİYAH ELOKSAL) KULLANILMALIDIR.

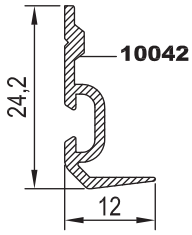
\*\* BU PROFİL MAXİMUM 20 cm'DE BİR, 5 cm'lik PARÇALAR HALİNDE KULLANILMALIDIR.



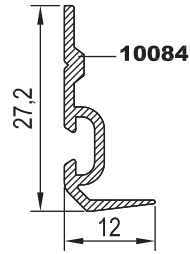
KOD / CODE	AĞIRLIK (kg/m) / WEIGHT	L m	KOD / CODE	AĞIRLIK (kg/m) / WEIGHT	L m	
R50 R 01	0,158	6	R50 R 05	0,166	6	
R50 R 02	0,169	6	R50 R 06	0,154	6	
R50 R 03	0,111	6	R50 R 11	0,108	6	
R50 R 04	0,181	6				



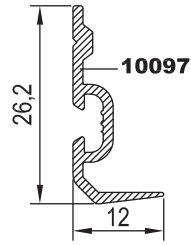
R50 R 01



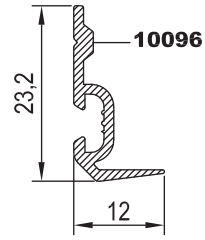
R50 R 02



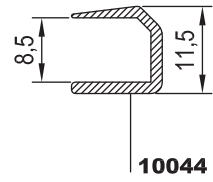
R50 R 05



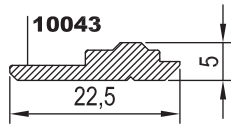
R50 R 06



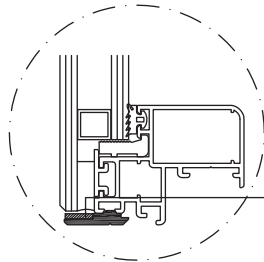
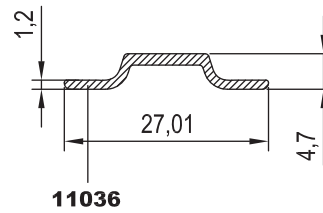
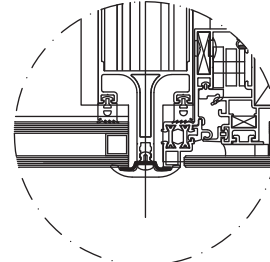
R50 R 03



R50 R 04



R50 R 11

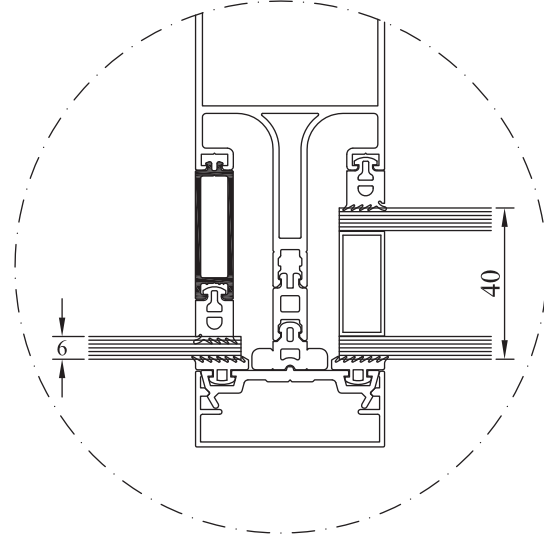
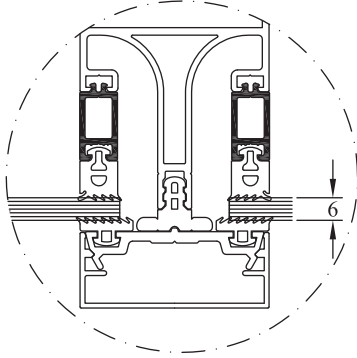
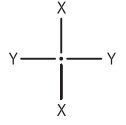
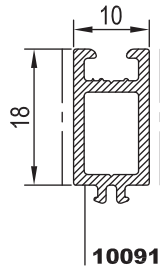
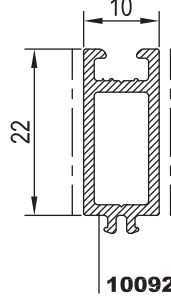
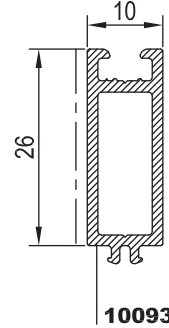
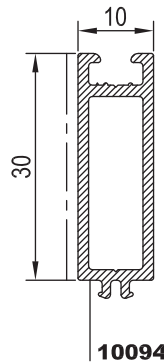
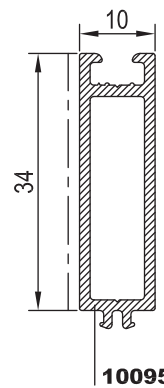

 Norton Band  
 (Norfix-V1500)


**R50**

# TEK CAM ÇITA PROFİLLERİ

## GLAZING BEAD PROFILES FOR SINGLE GLASS

KOD / CODE	AĞIRLIK (kg/m) / WEIGHT	L m	KOD / CODE	AĞIRLIK (kg/m) / WEIGHT	L m
R50 G 01	0,219	6	R50 G 05	0,340	6
R50 G 02	0,249	6			6
R50 G 03	0,280	6			6
R50 G 04	0,310	6			

**R50 G 01****10091****R50 G 02****10092****R50 G 03****10093****R50 G 04****10094****R50 G 05****10095**

21

22

23

24

25

26

27

28

29

30

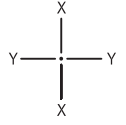
R50



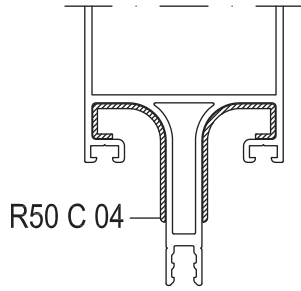
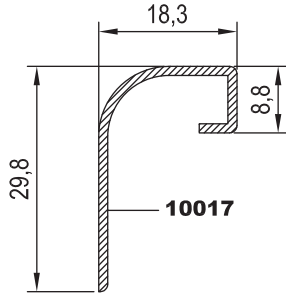
# DÜŞEY BAĞLANTI PROFİLLERİ

## MULLION CONNECTION PROFILES

KOD / CODE	AĞIRLIK (kg/m) / WEIGHT	L m	KOD / CODE	AĞIRLIK (kg/m) / WEIGHT	L m
R50 C 04	0,175	6			
R50 C 05	6,552	6			
R50 C 08	0,187	6			

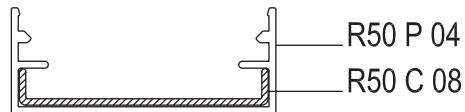
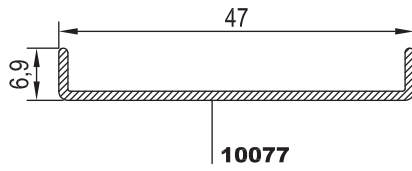


R50 C 04



R50 C 04

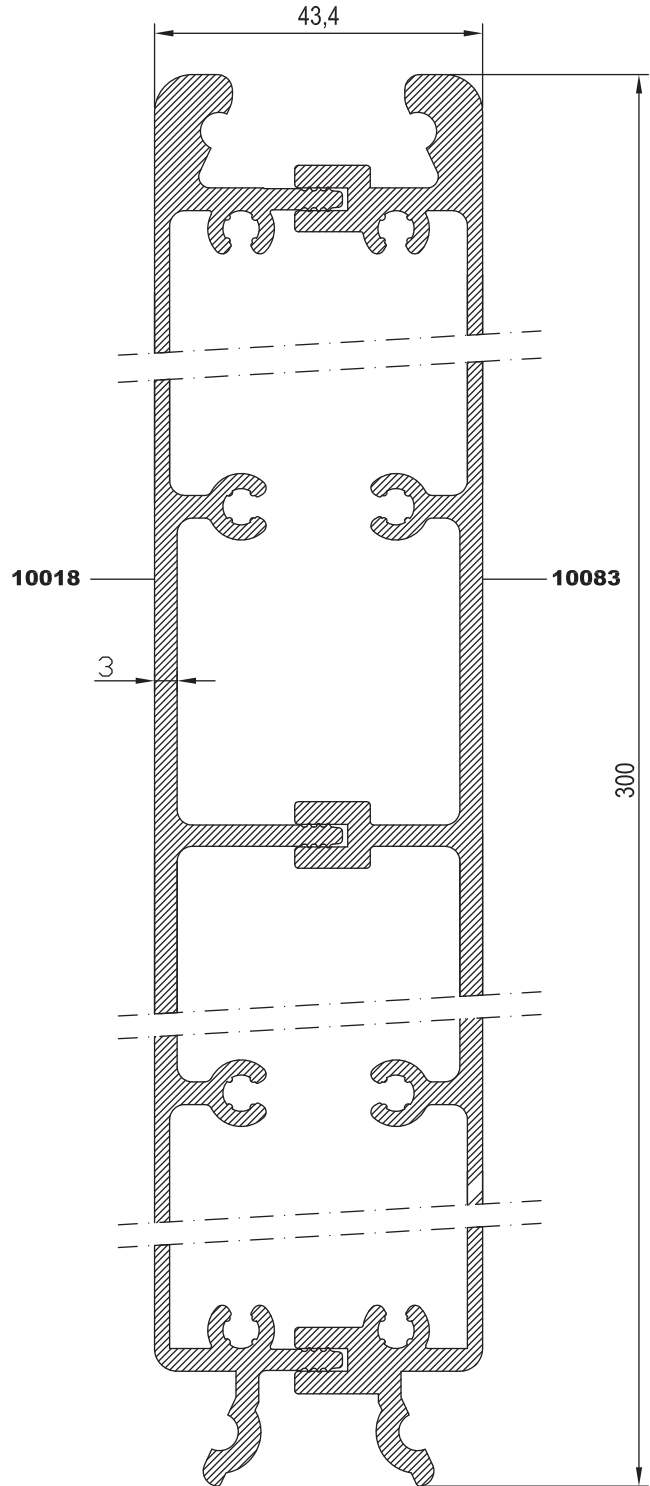
R50 C 08



R50 P 04

R50 C 08

R50 C 05

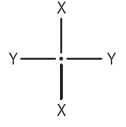


10018

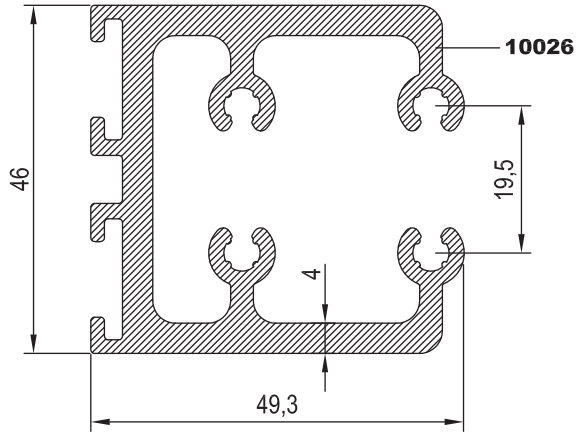
10083



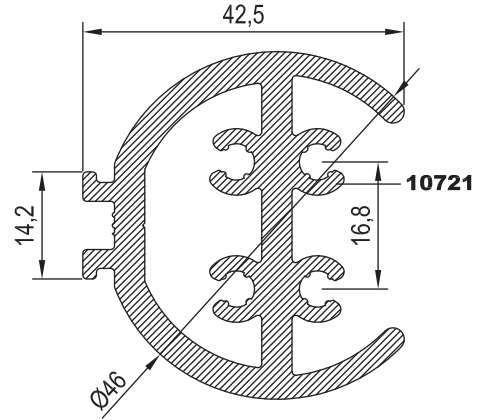
KOD / CODE	AĞIRLIK (kg/m) / WEIGHT	L m	KOD / CODE	AĞIRLIK (kg/m) / WEIGHT	L m
R50 C 06	2,056	6			
R50 C 10	1,851	6			
R50 C 11	1,813	6			
R50 C 12	0,548	6			



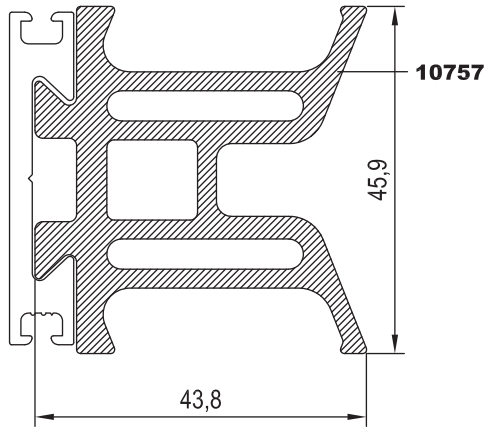
R50 C 06



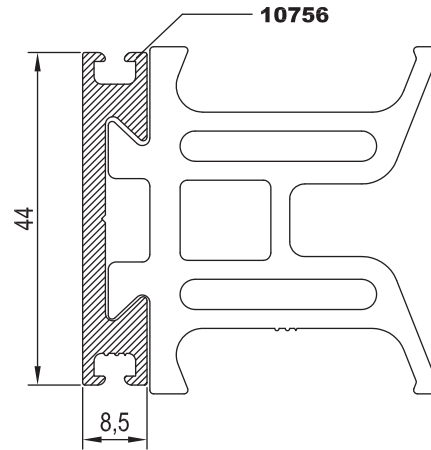
R50 C 10



R50 C 11



R50 C 12



21

22

23

24

25

26

27

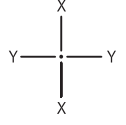
28

29

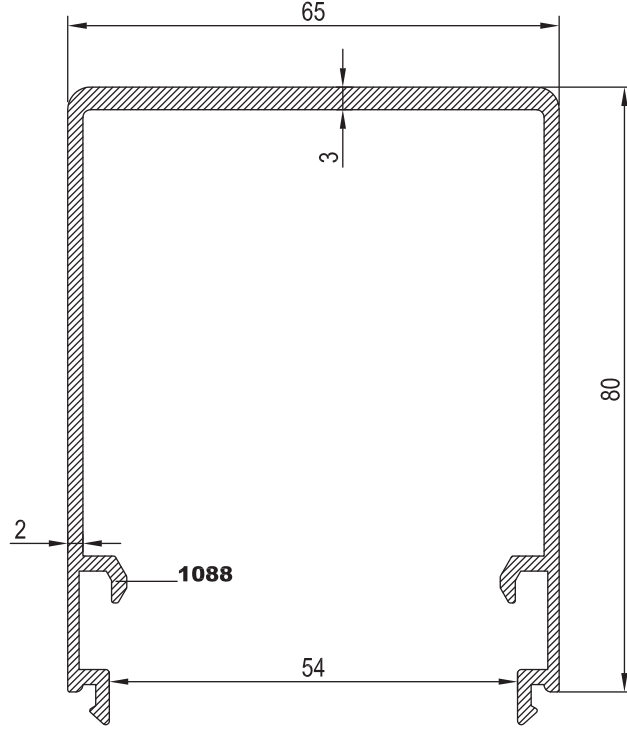
30



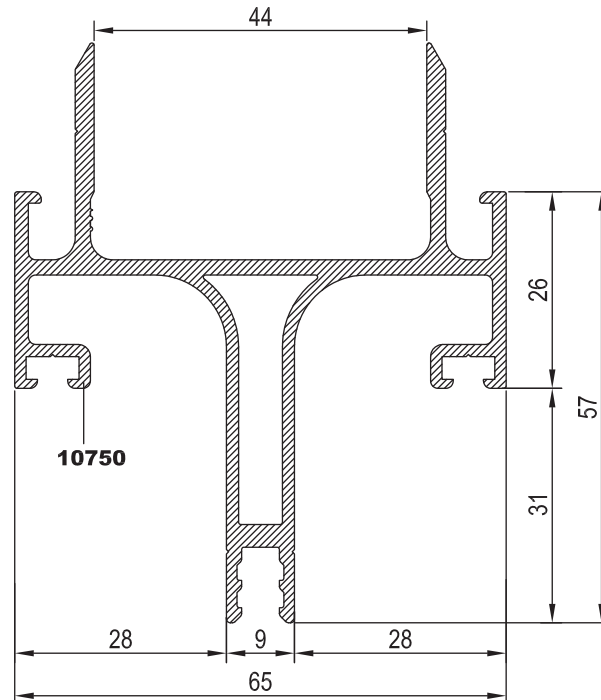
KOD / CODE	AĞIRLIK (kg/m) / WEIGHT	Jxx cm <sup>4</sup>	Jyy cm <sup>4</sup>	L m
K50 P 19	1,337	39,110	39,480	6
R50 M 14	1,555	16,928	24,136	6



K50 P 19



R50 M 14



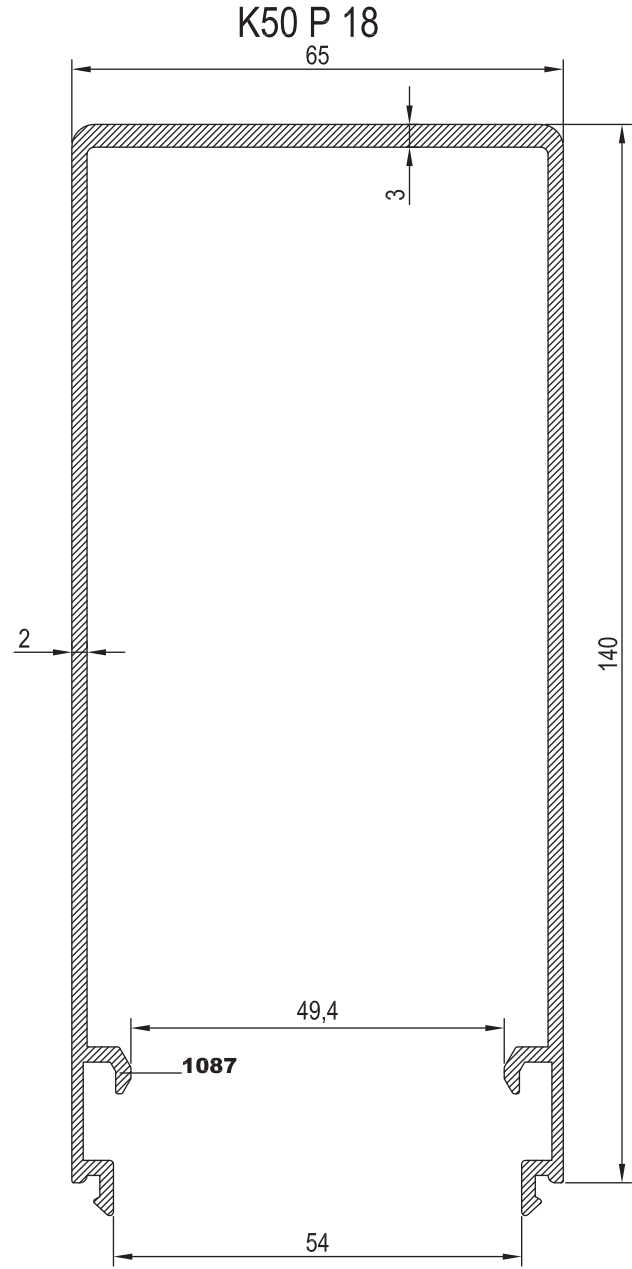
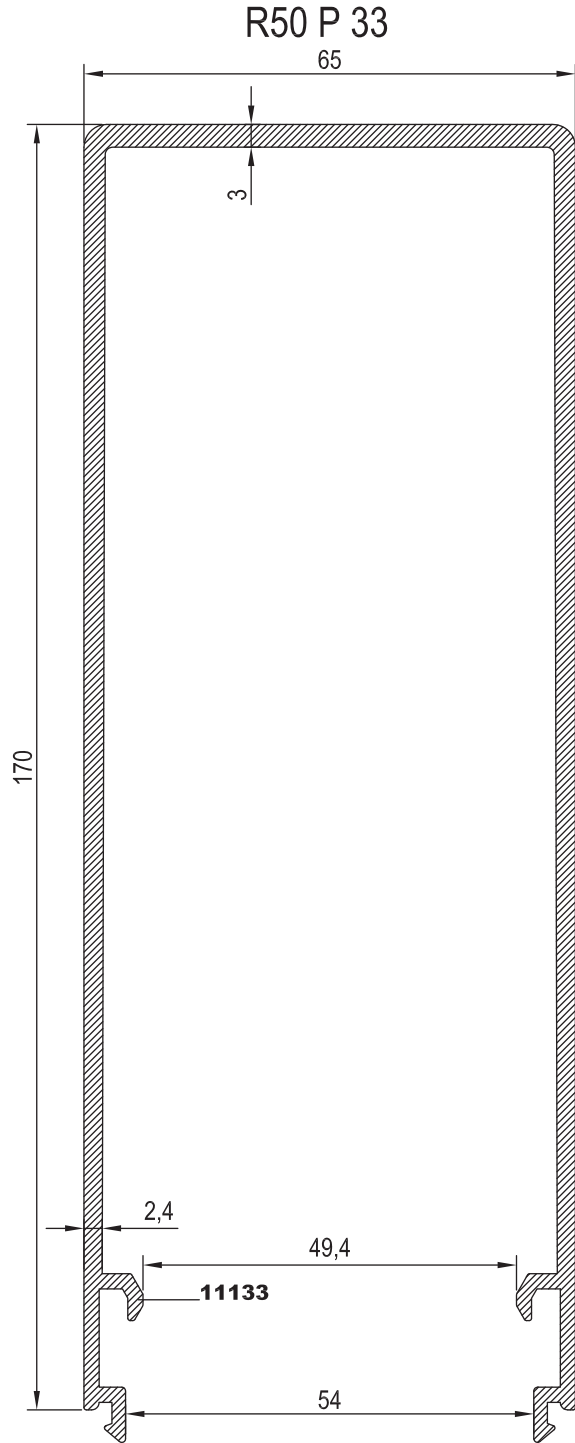
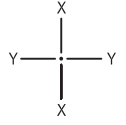
R50



ÇELİK TAKVİYELİ DÜŞEY PROFİLLER

MULLION PROFILES WITH STEEL REINFORCEMENT

KOD / CODE	AĞIRLIK (kg/m) / WEIGHT	J <sub>xx</sub> cm <sup>4</sup>	J <sub>yy</sub> cm <sup>4</sup>	L m
R50 P 33	2,996	351,315	94,281	6
K50 P 18	2,314	193,150	70,297	6



21

22

23

24

25

26

27

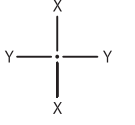
28

29

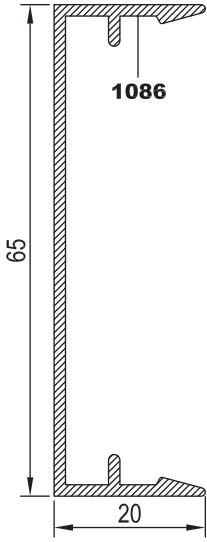
30



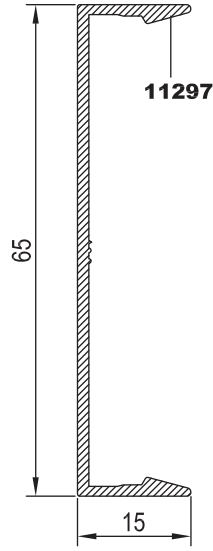
KOD / CODE	AĞIRLIK (kg/m) / WEIGHT	Jxx cm <sup>4</sup>	Jyy cm <sup>4</sup>	L m
K50 P 20	1,066	77,402	25,100	6
R50 P 04	0,455	-	-	6
R50 P 05	0,566	-	-	6
R50 P 35	0,380	-	-	6
R50 T 08	1,422	14,893	22,457	6



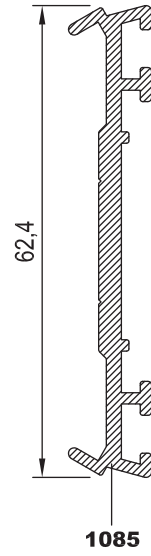
R50 P 04



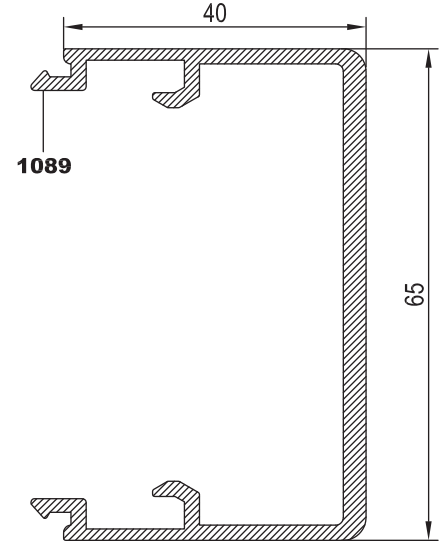
R50 P 35



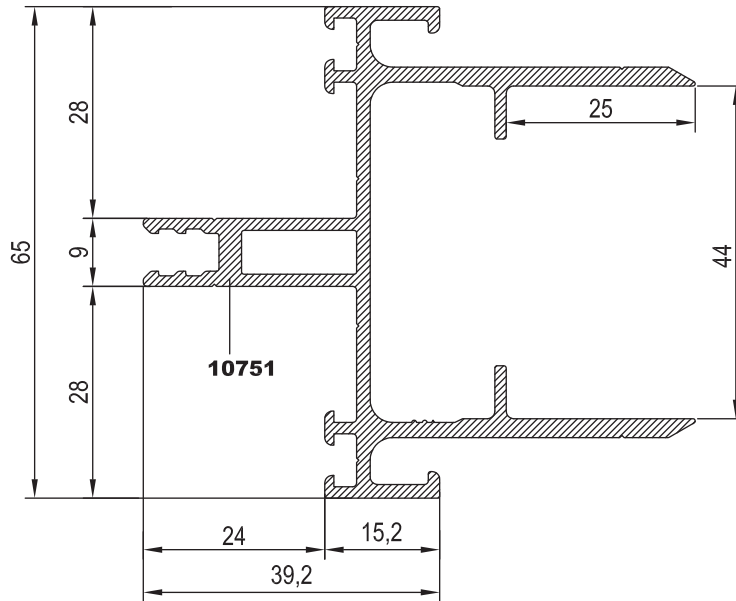
R50 P 05



K50 P 20



R50 T 08





# MİMARİ KATALOG

## ARCHITECTURAL CATALOGUE

Aluminyum Kapı Pencere ve Giydirme Cephe Sistemleri  
Aluminium Window Doors and Facade Systems



Rescara Sistem  
Profil Detayları

Rescara System  
Profile Details

# R50

EKONOMİK SERİ  
ECONOMICAL SERIE

21

22

23

24

25

26

27

28

29

30

# RESCARA SİSTEM

Alüminyum Kapı Pencere ve  
Giydirme Cephe Sistemleri



21

22

23

24

25

26

27

28

29

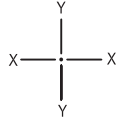
30

R50

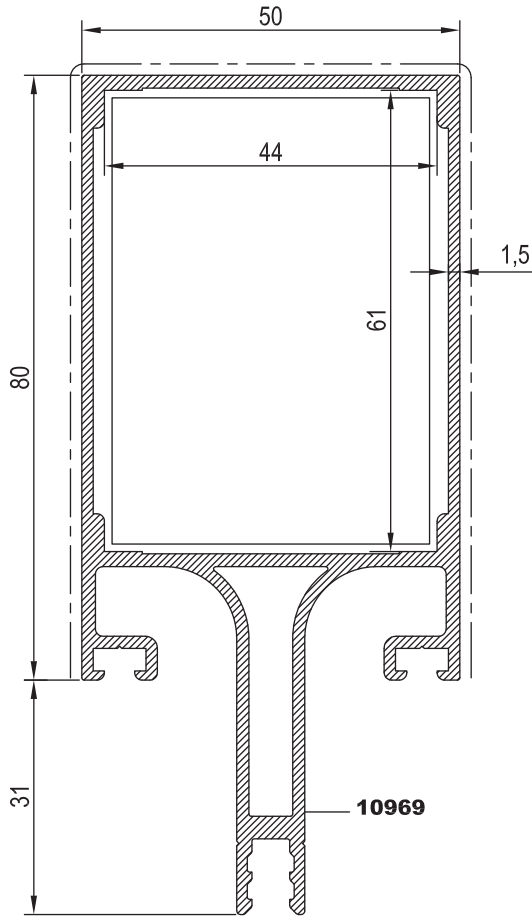


DÜŞEY PROFİLLER  
MULLION PROFILES

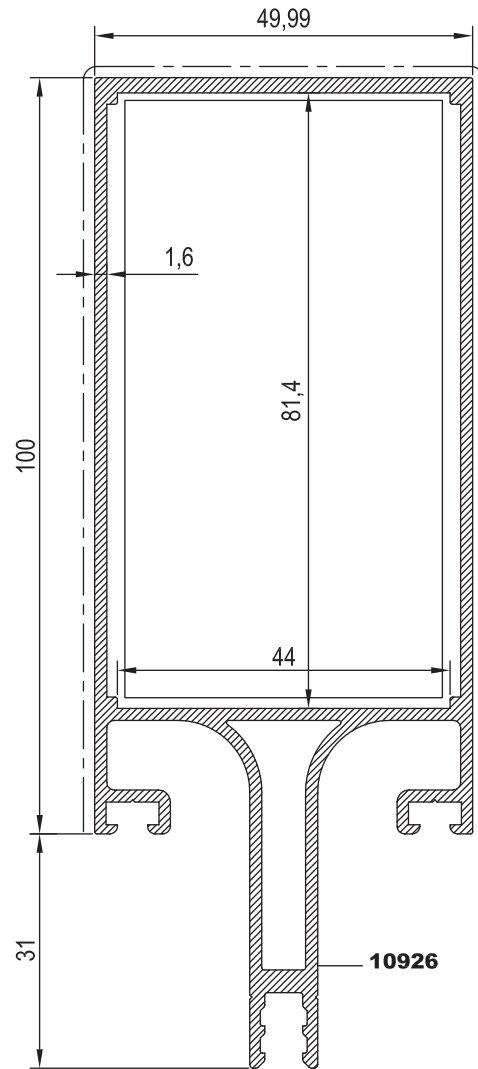
KOD / CODE	AĞIRLIK (kg/m) / WEIGHT	J <sub>xx</sub> cm <sup>4</sup>	J <sub>yy</sub> cm <sup>4</sup>	L m
R50 M 20	1,794	71,670	21,120	6
R50 M 18	1,941	116,818	24,114	6



R50 M 20



R50 M 18



Nr	DÜŞEY BAĞLANTI PROFİLİ		MULLION CONNECTION PROFILE		KEŞİM ÖLÇÜSÜ CUTTING SIZE
	PROFİL KODU / PROFILE CODE	AKSESUAR KODU / ACCESSORY CODE	PROFİL KODU / PROFILE CODE	AKSESUAR KODU / ACCESSORY CODE	
R50 M 20	10969	(10018-10083)	06.01.01.50R		60,5 mm
R50 M 18	10926	(10018-10083)	06.01.12.50R		80,9 mm

21

22

23

24

25

26

27

28

29

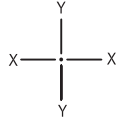
30

R50

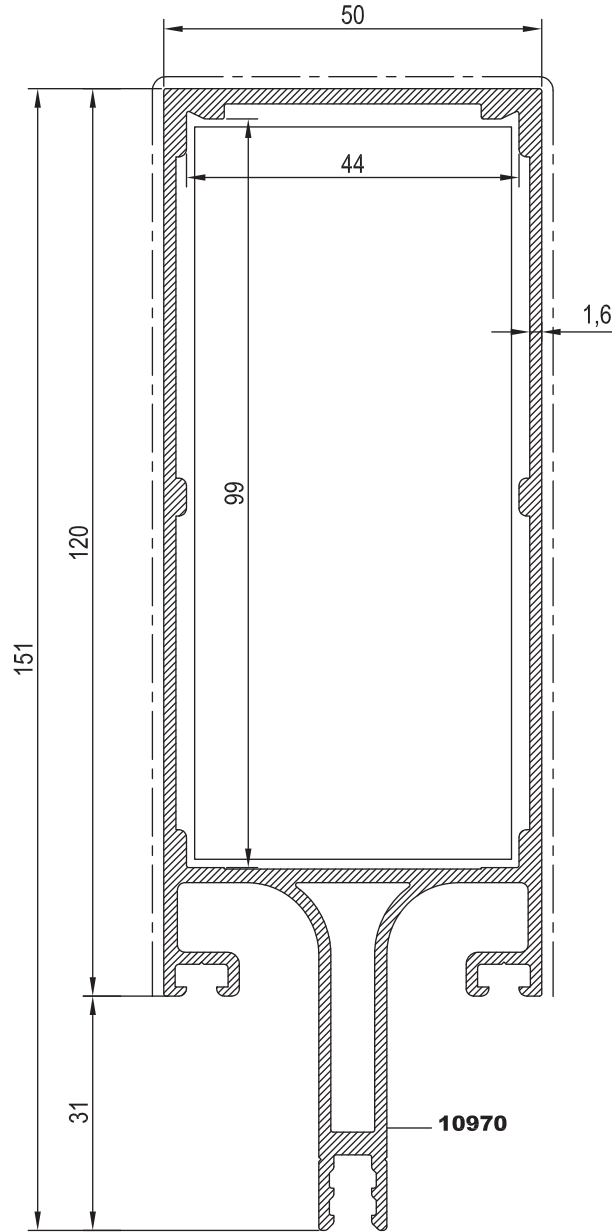


DÜŞEY PROFİLLER  
MULLION PROFILES

KOD / CODE	AĞIRLIK (kg/m) / WEIGHT	Jxx cm <sup>4</sup>	Jyy cm <sup>4</sup>	L m
R50 M 21	2,306	193,520	30,930	6



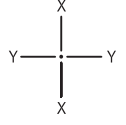
R50 M 21



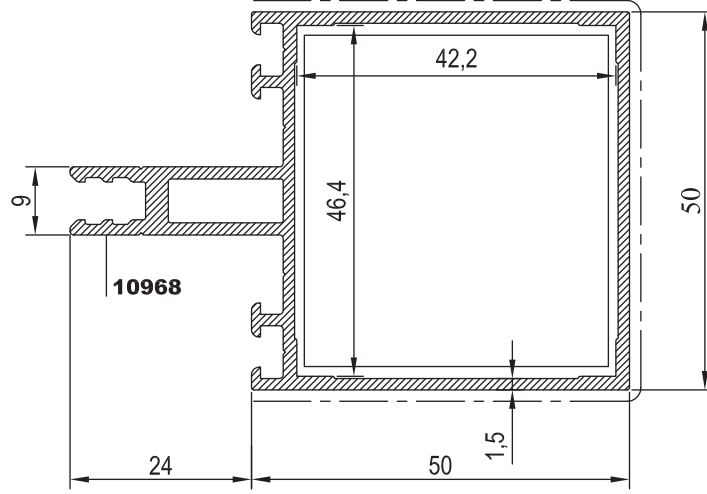
Nr	DÜŞEY BAĞLANTI PROFİLİ / MULLION CONNECTION PROFILE		KESİM ÖLÇÜSÜ / CUTTING SIZE
	PROFİL KODU / PROFILE CODE	AKSESUAR KODU / ACCESSORY CODE	
R50 M 21	10970	(10018-10083)	98,5 mm



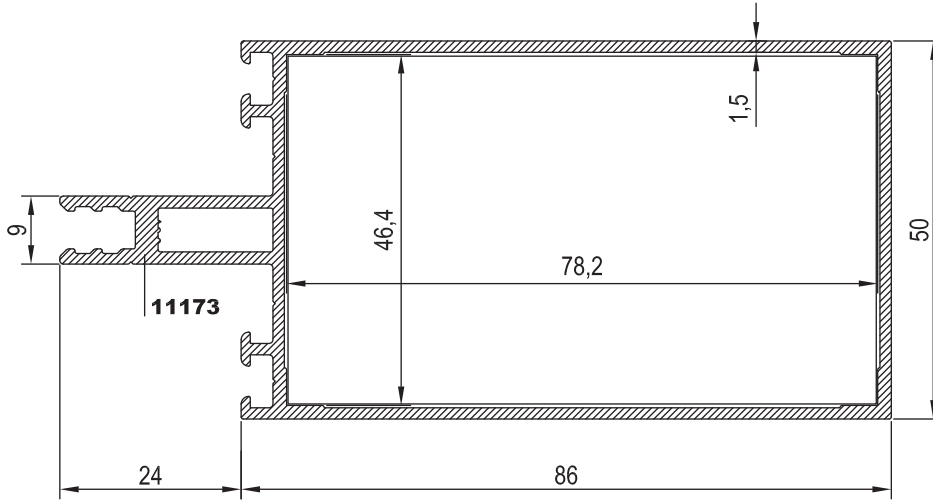
KOD / CODE	AĞIRLIK (kg/m) / WEIGHT	Jxx cm4	Jyy cm4	L m
R50 T 13	1,176	12,780	22,290	6
R50 T 18	1,470	68,400	19,130	6



R50 T 13



R50 T 18



Nr	DÜŞEY BAĞLANTI PROFİLİ		MULLION CONNECTION PROFILE		KEŞİM ÖLÇÜSÜ CUTTING SIZE
	PROFİL KODU / PROFILE CODE	AKSESUAR KODU / ACCESSORY CODE	PROFİL KODU / PROFILE CODE	AKSESUAR KODU / ACCESSORY CODE	
R50 T 13	10968	(10026)	05.02.02.50R		41,9 mm
R50 T 18	11173	(10026)	05.02.04.50R		77,8 mm

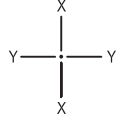
Nr	DÜŞEY BAĞLANTI PROFİLİ		MULLION CONNECTION PROFILE		KEŞİM ÖLÇÜSÜ CUTTING SIZE
	PROFİL KODU / PROFILE CODE	AKSESUAR KODU / ACCESSORY CODE	PROFİL KODU / PROFILE CODE	AKSESUAR KODU / ACCESSORY CODE	
R50 T 13	10968	(10756)	05.03.02.50R		40,9 mm
		(10757)	05.03.12.50R		41,9 mm
		EPDM	03.04.07.T02		45,0 mm
R50 T 18	11173	(10756)	05.03.04.50R		76,9 mm
		(10757)	05.03.14.50R		77,8 mm
		EPDM	03.04.07.T04		81,0 mm

R50

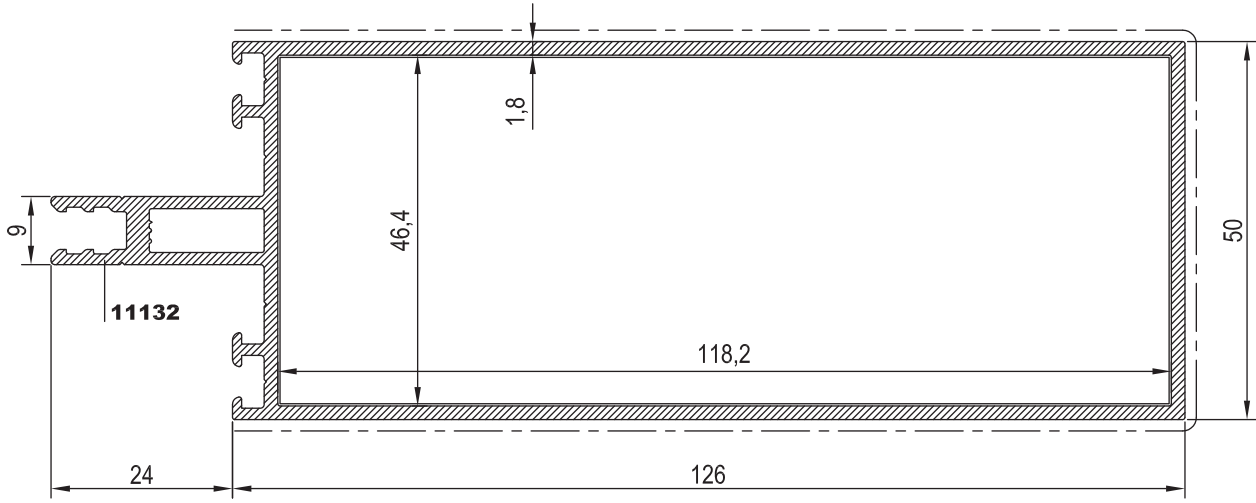




DÜŞEY PROFİLLER  
MULLION PROFILES

KOD / CODE	AĞIRLIK (kg/m) / WEIGHT	J <sub>xx</sub> cm <sup>4</sup>	J <sub>yy</sub> cm <sup>4</sup>	L m
R50 T 14	2,031	176,607	29,982	6



R50 T 14



Nr	DÜŞEY BAĞLANTI PROFİLİ		MULLION CONNECTION PROFILE		KESİM ÖLÇÜSÜ CUTTING SIZE	
	PROFİL KODU / PROFILE CODE	AKSESUAR KODU / ACCESSORY CODE	PROFİL KODU / PROFILE CODE	AKSESUAR KODU / ACCESSORY CODE		
R50 T 14	11132	(10026)		05.02.10.50R		117,7 mm

# MİMARİ KATALOG

## ARCHITECTURAL CATALOGUE

Aluminyum Kapı Pencere ve Giydirme Cephe Sistemleri  
Aluminium Window Doors and Facade Systems



Rescara Sistem  
Profil Detayları

Rescara System  
Profile Details

# R50

KAPAKLI DETAYLAR  
CURTAIN WALL DETAILS

21

22

23

24

25

26

27

28

29

30

# RESCARA SİSTEM

Alüminyum Kapı Pencere ve  
Giydirme Cephe Sistemleri



21

22

23

24

25

26

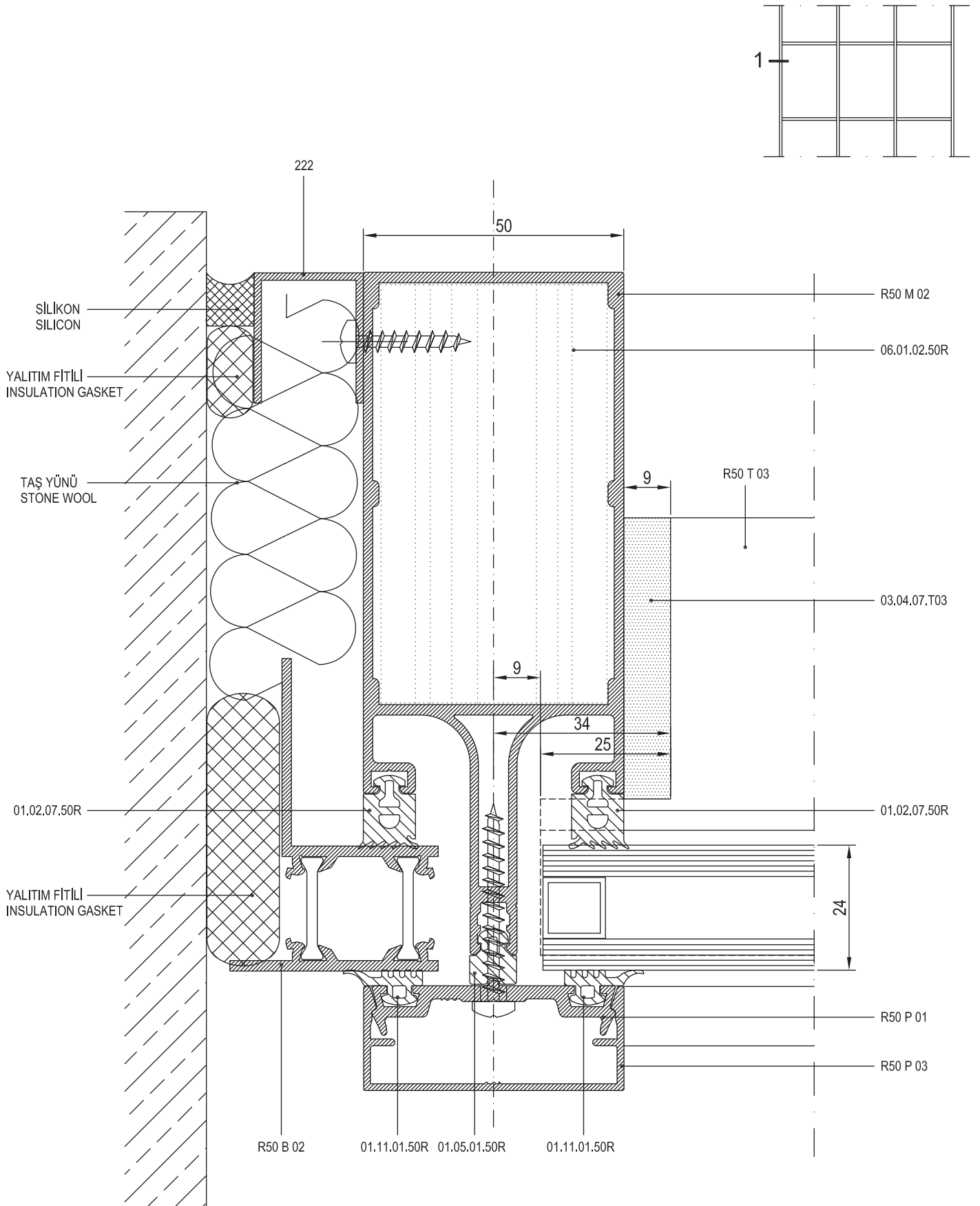
27

28

29

30





21

22

23

24

25

26

27

28

29

30



21

22

23

24

25

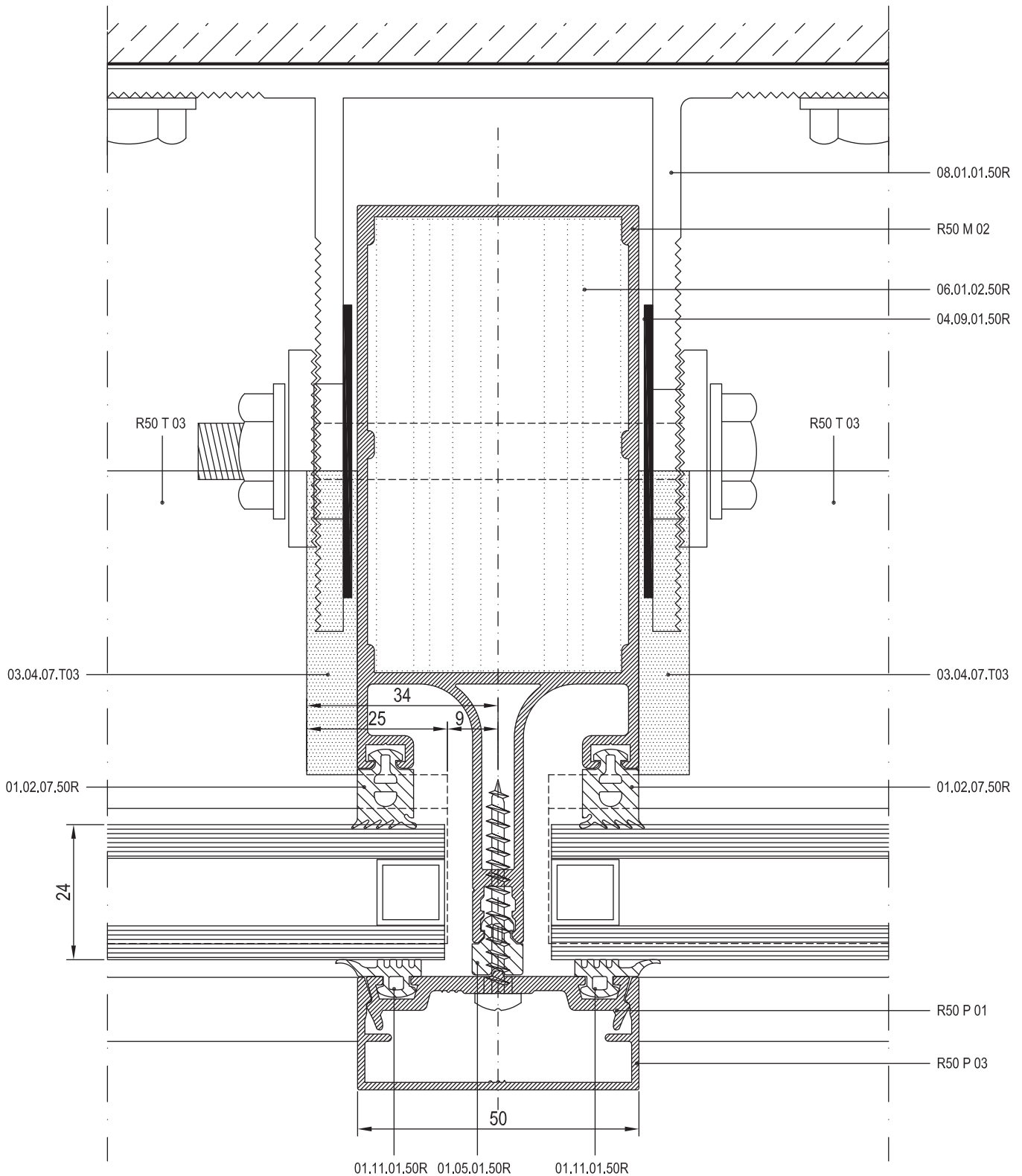
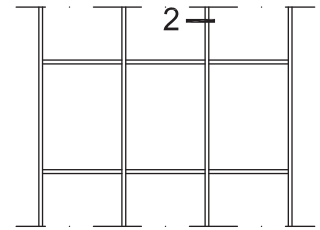
26

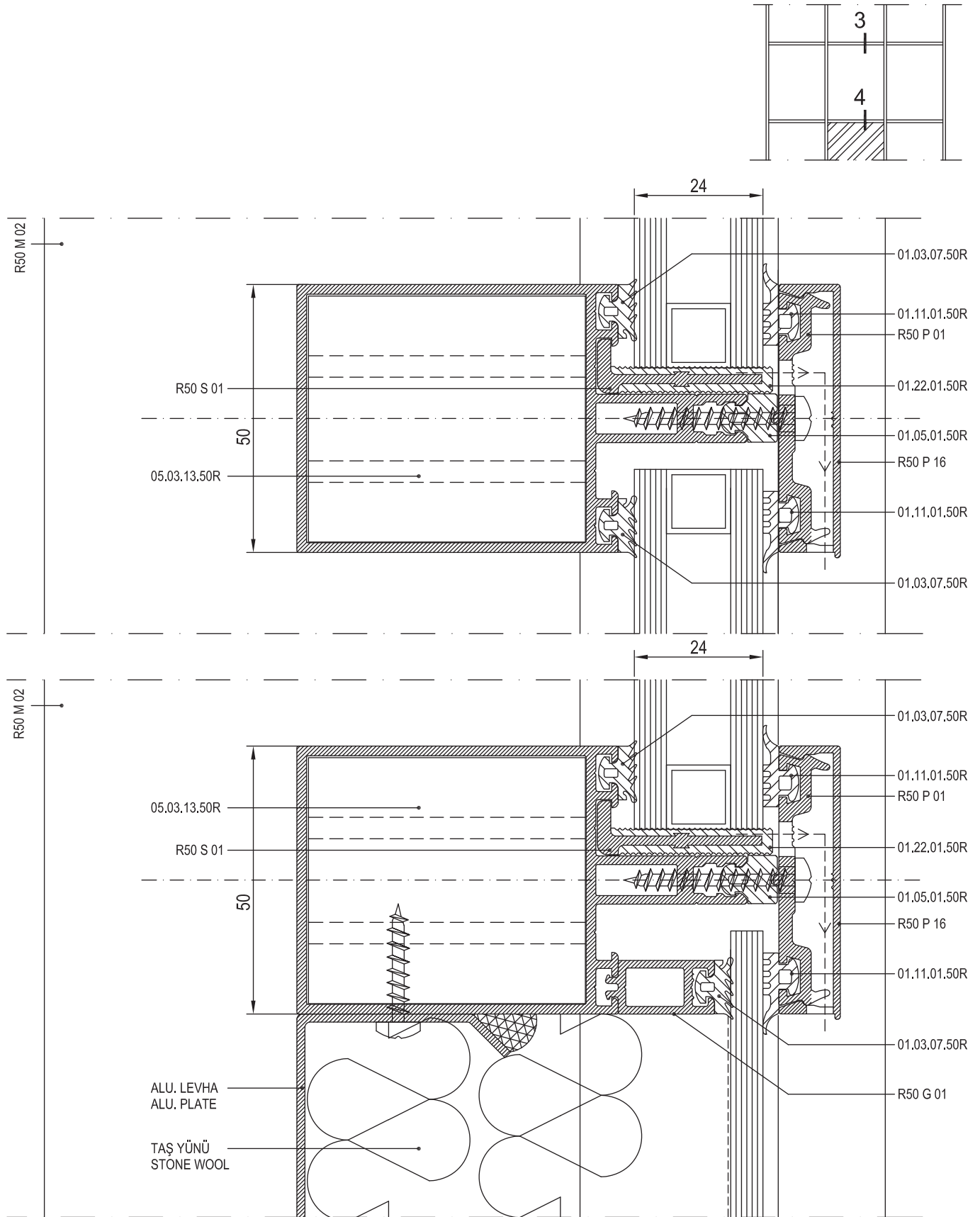
27

28

29

30





21

22

23

24

25

26

27

28

29

30



21

22

23

24

25

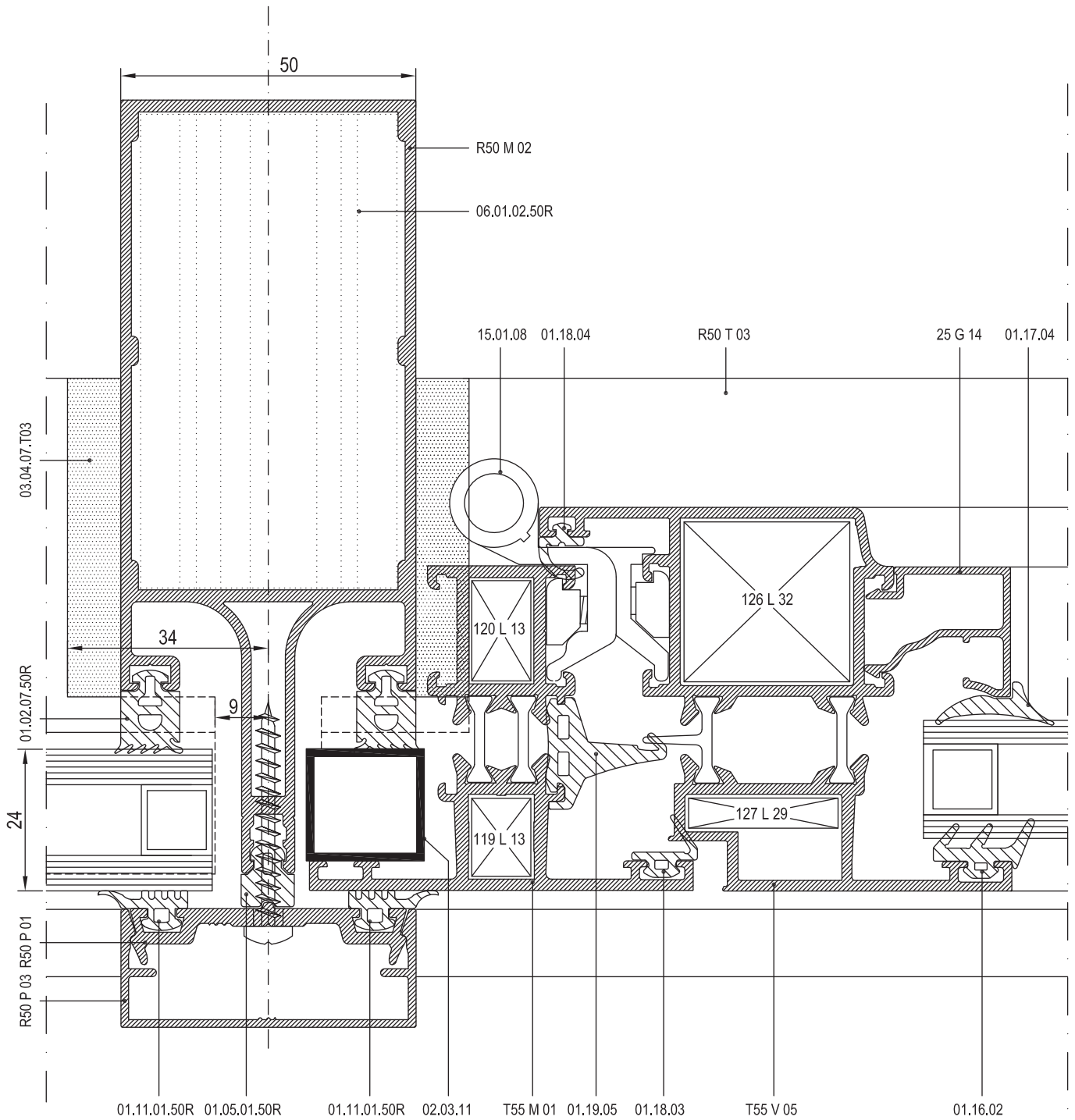
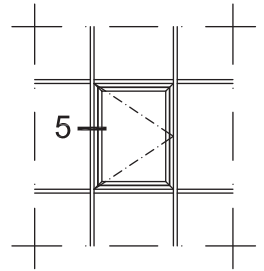
26

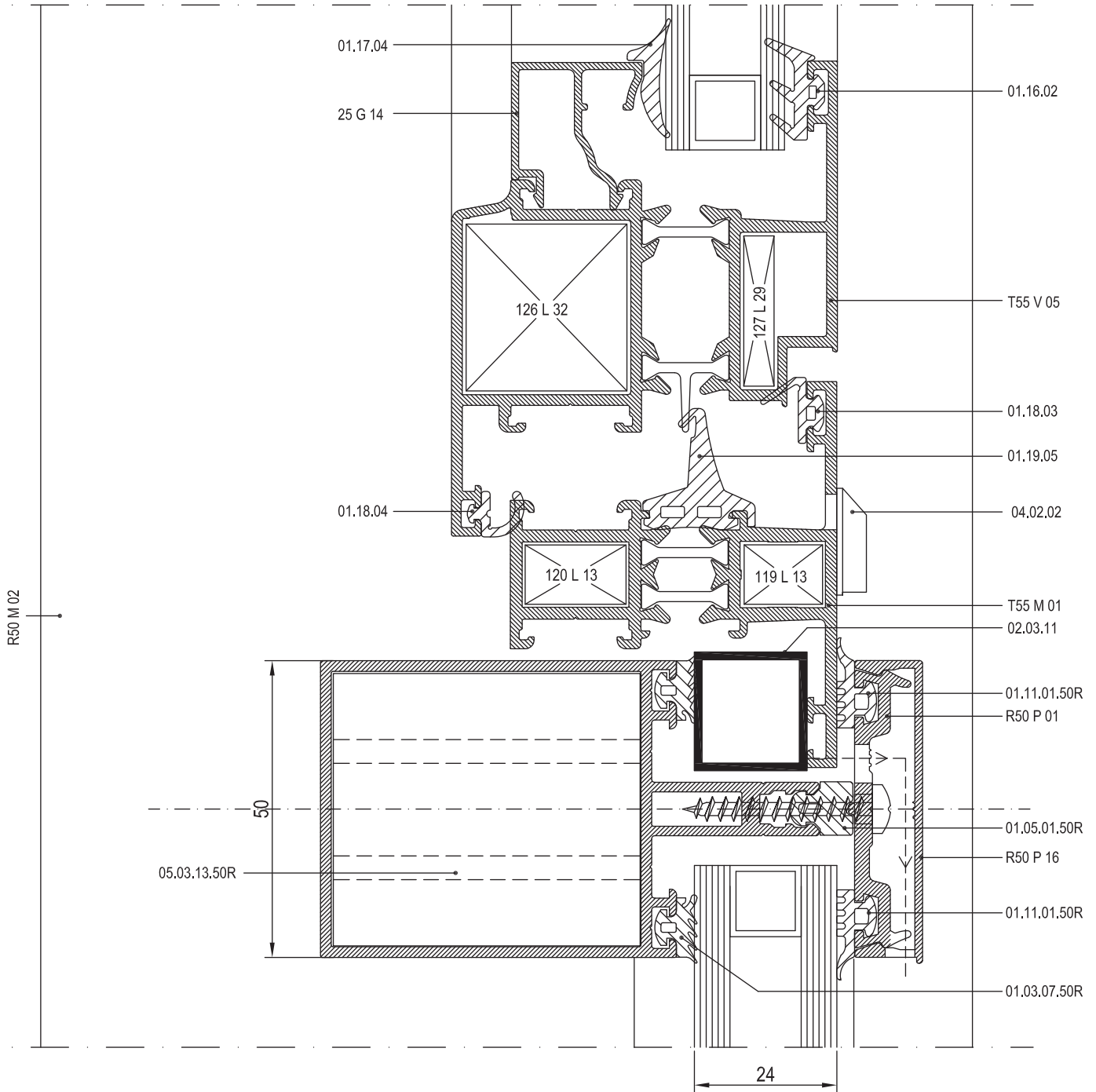
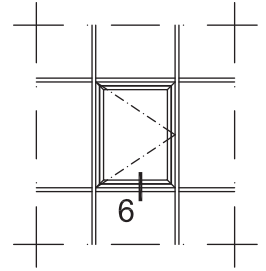
27

28

29

30







21

22

23

24

25

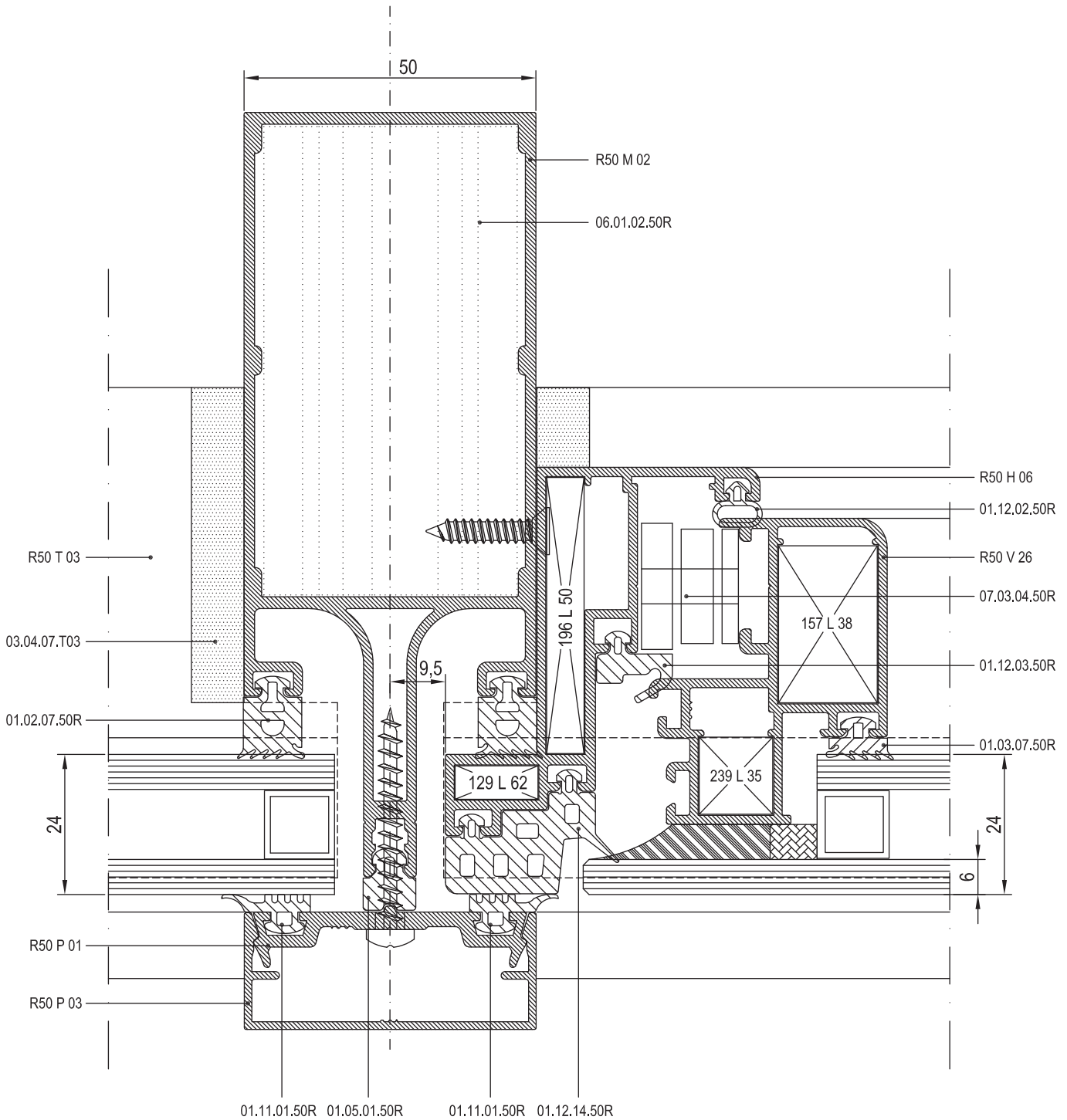
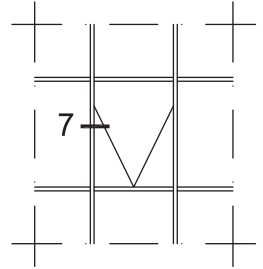
26

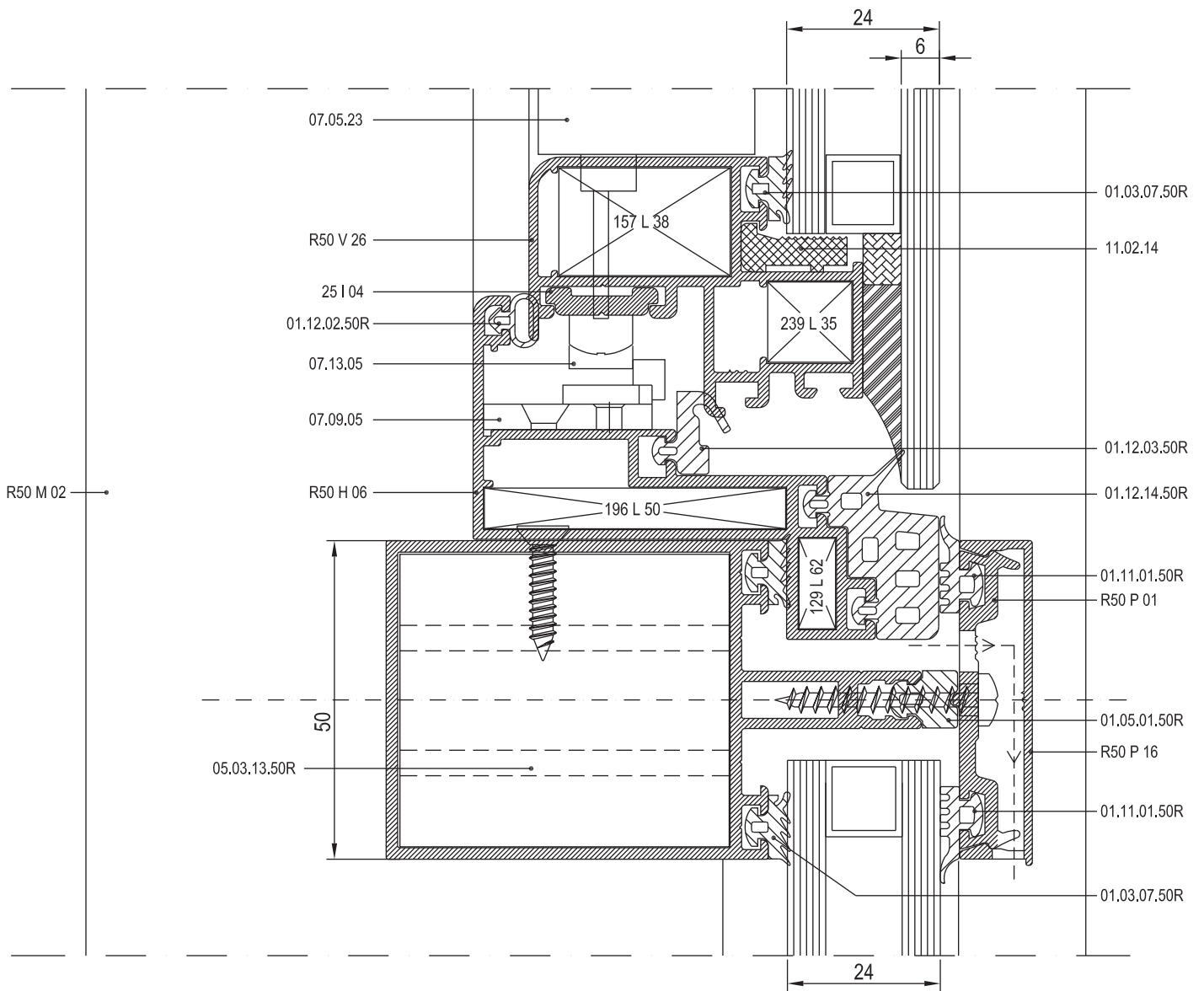
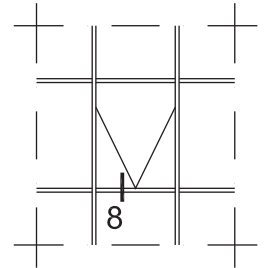
27

28

29

30





21

22

23

24

25

26

27

28

29

30



21

22

23

24

25

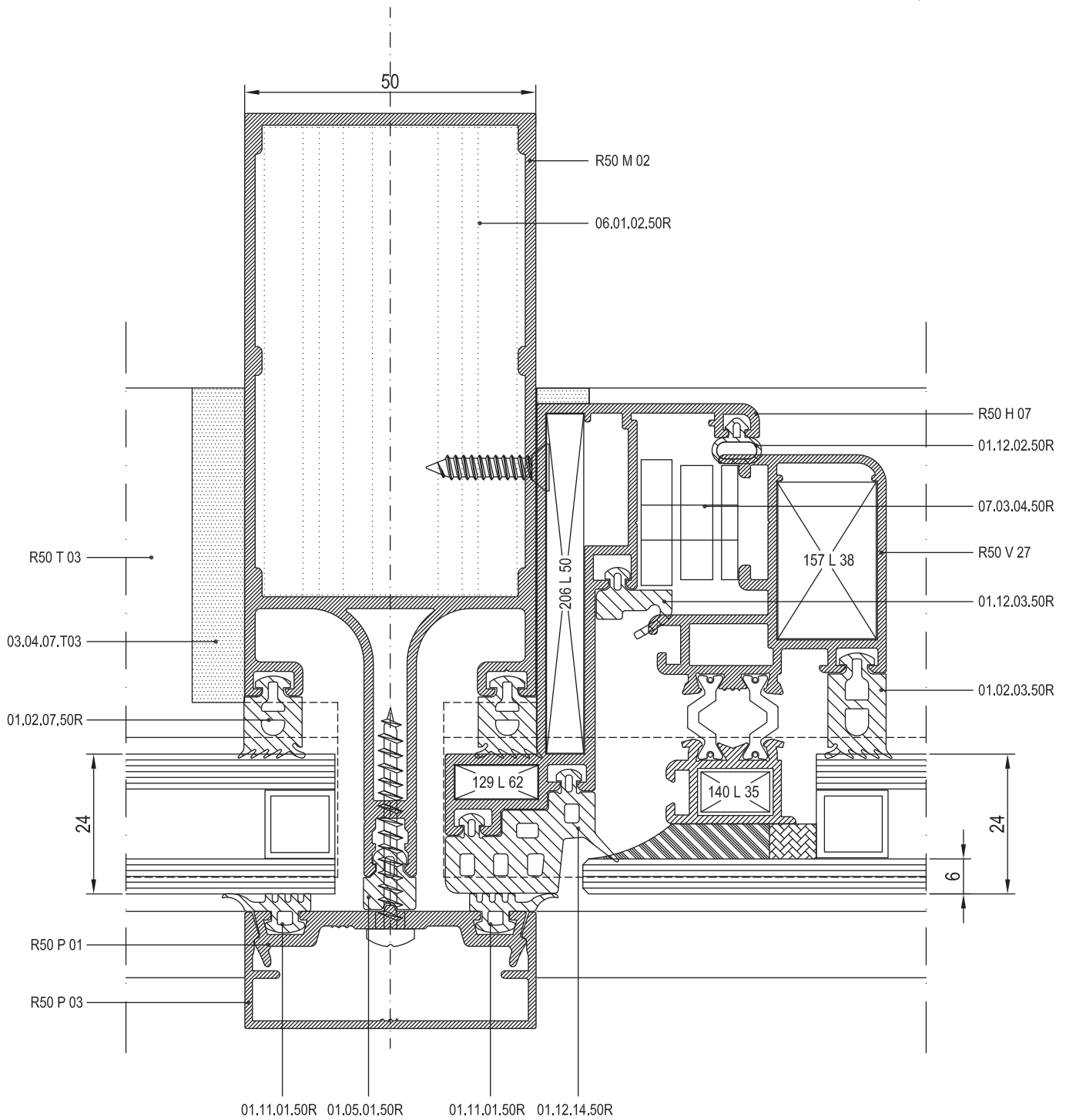
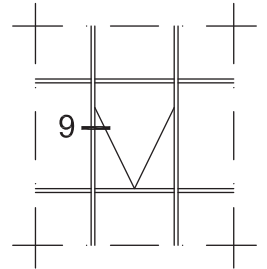
26

27

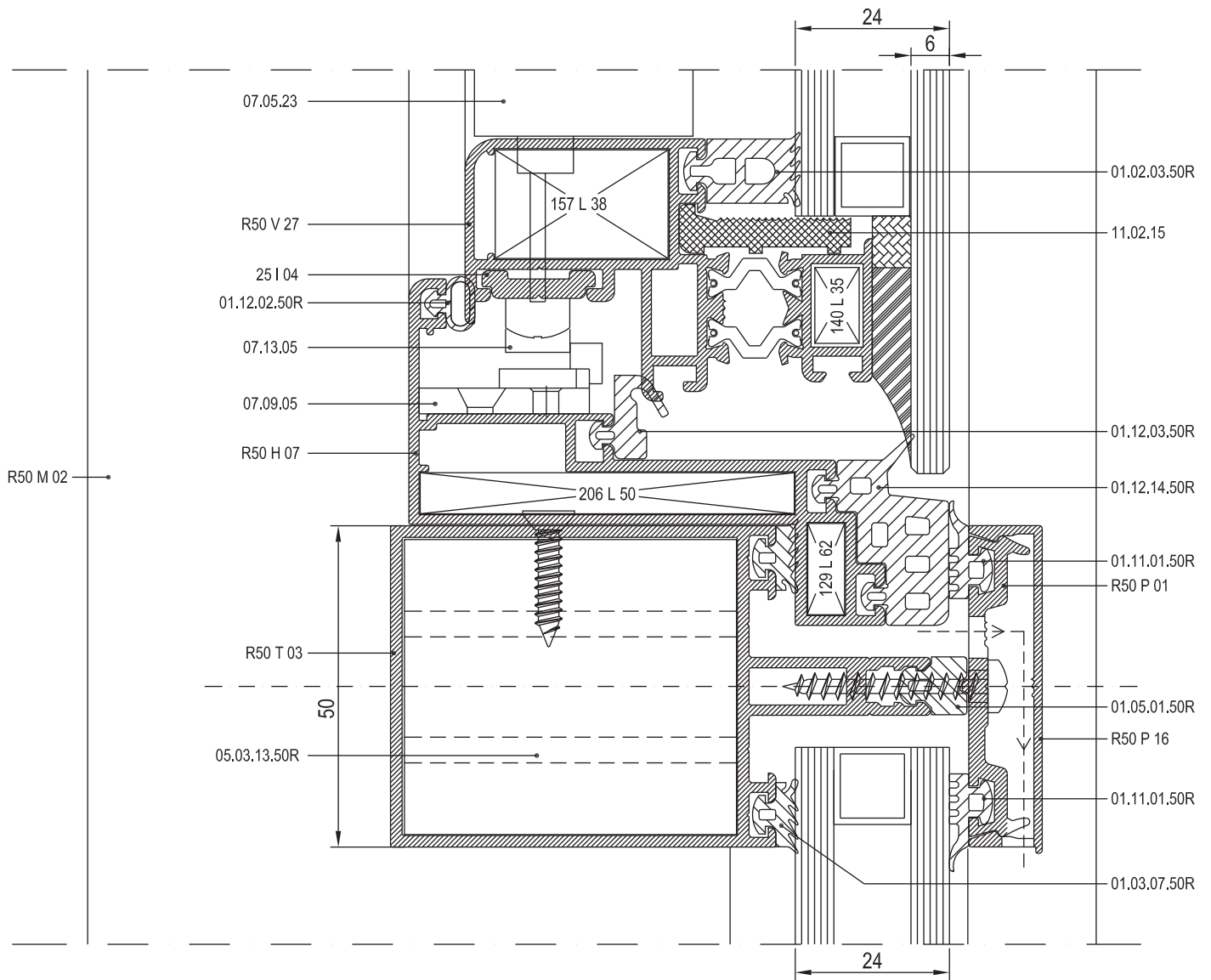
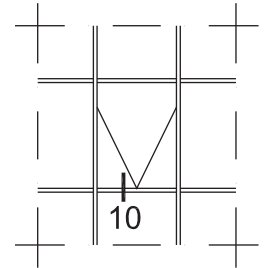
28

29

30







21

22

23

24

25

26

27

28

29

30



21

22

23

24

25

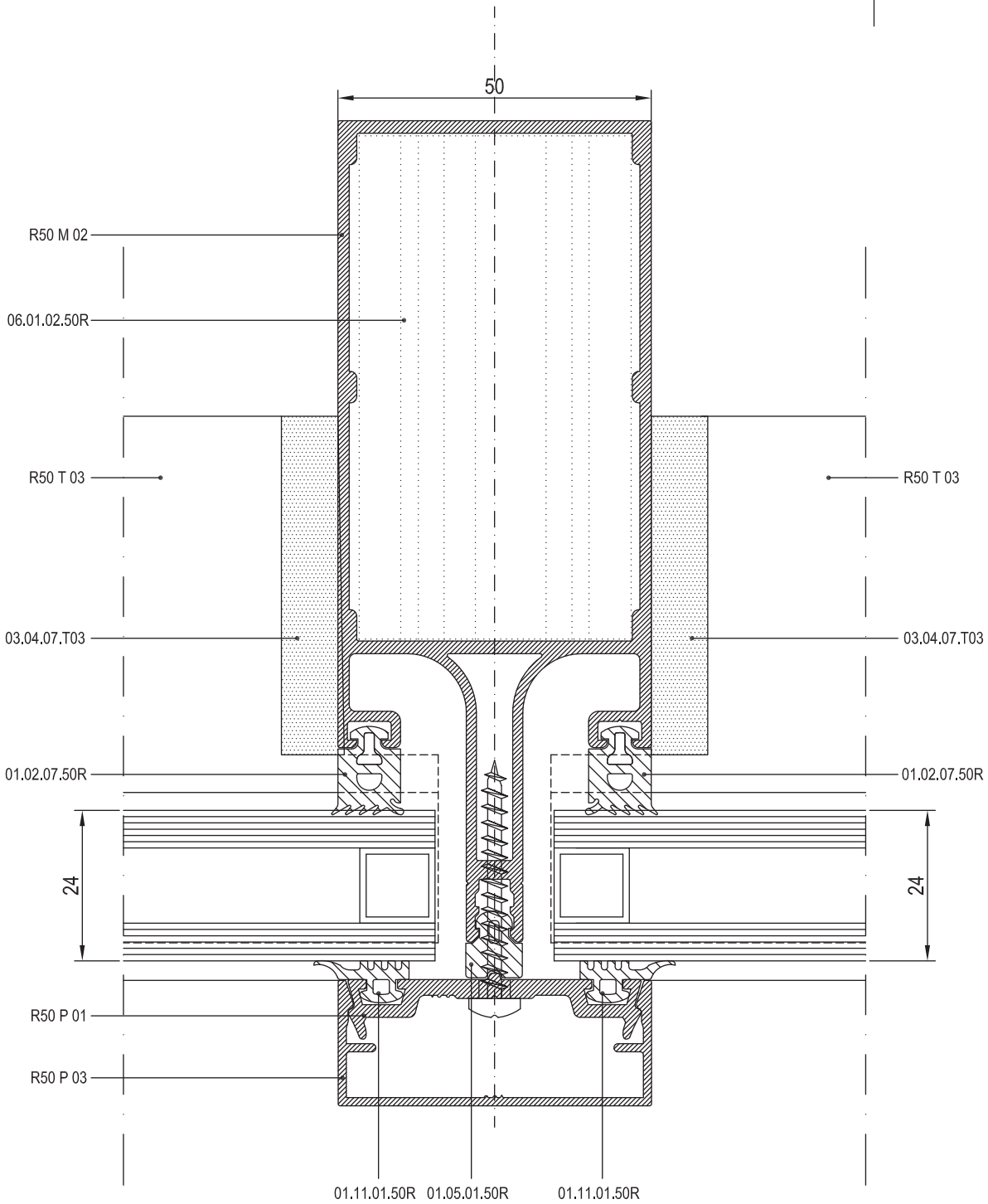
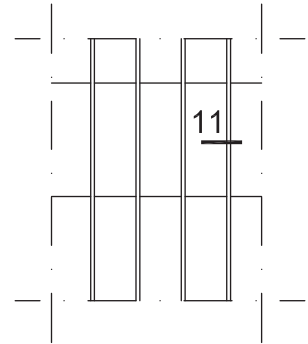
26

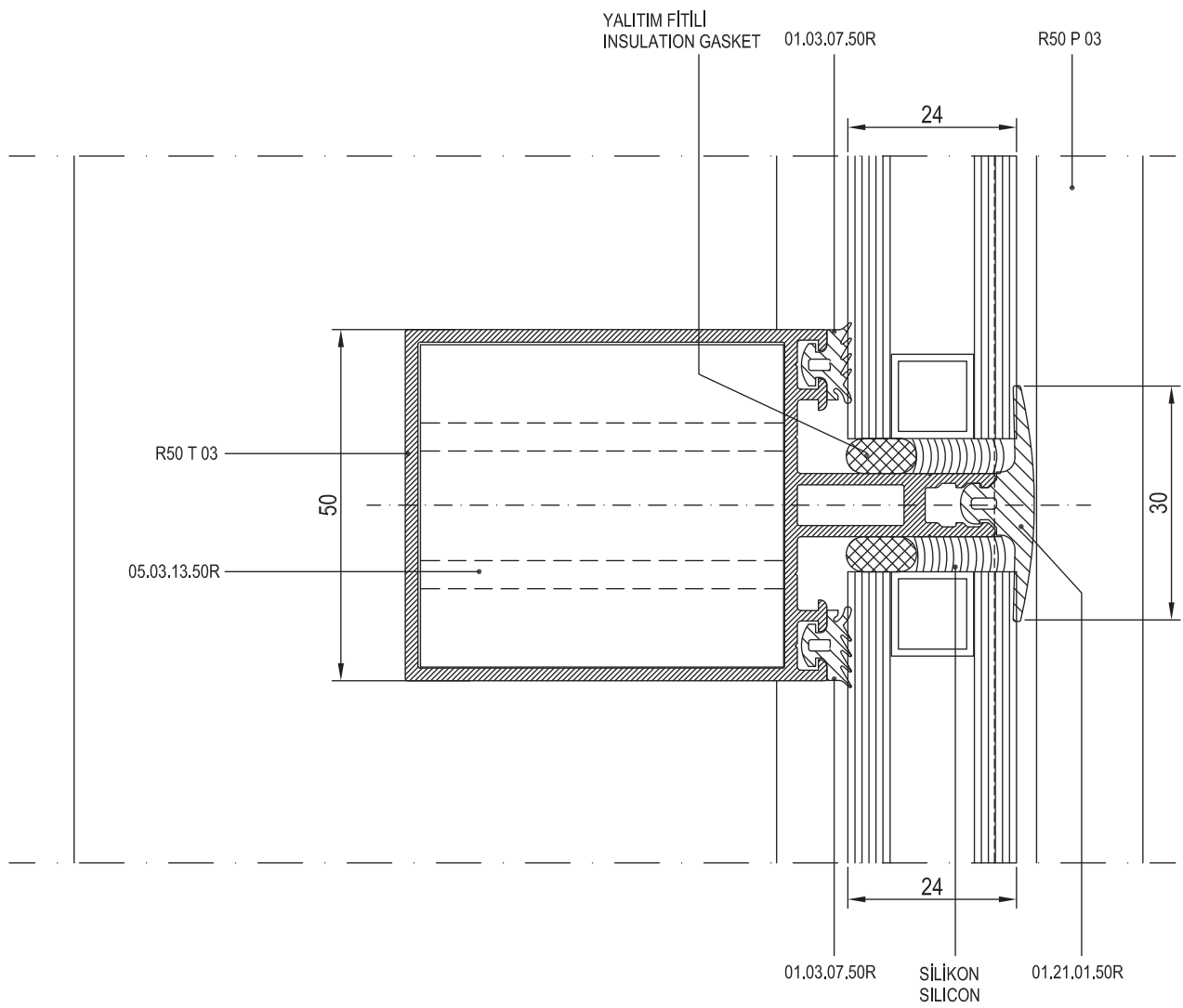
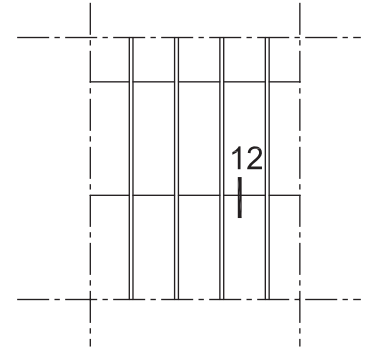
27

28

29

30





NOT: DÜŞEY PROFİL AKS ARALIĞI 1 M' DEN AZ OLMALIDIR.  
NOTE: AXES DIMENTIONS MUST BE LESS THEN 1 M.



21

22

23

24

25

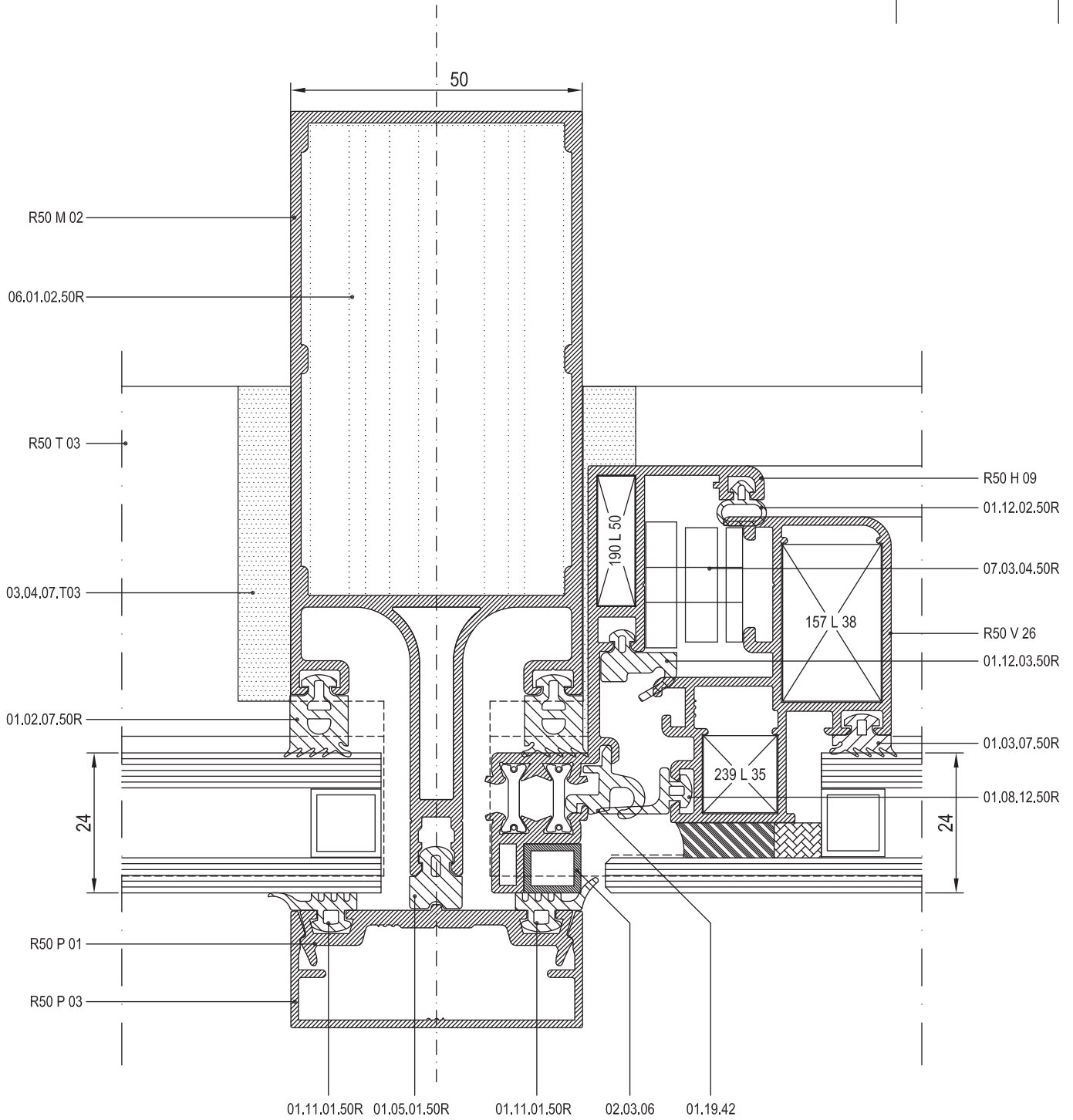
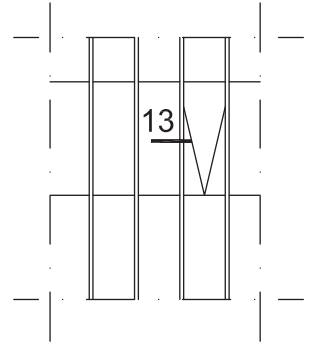
26

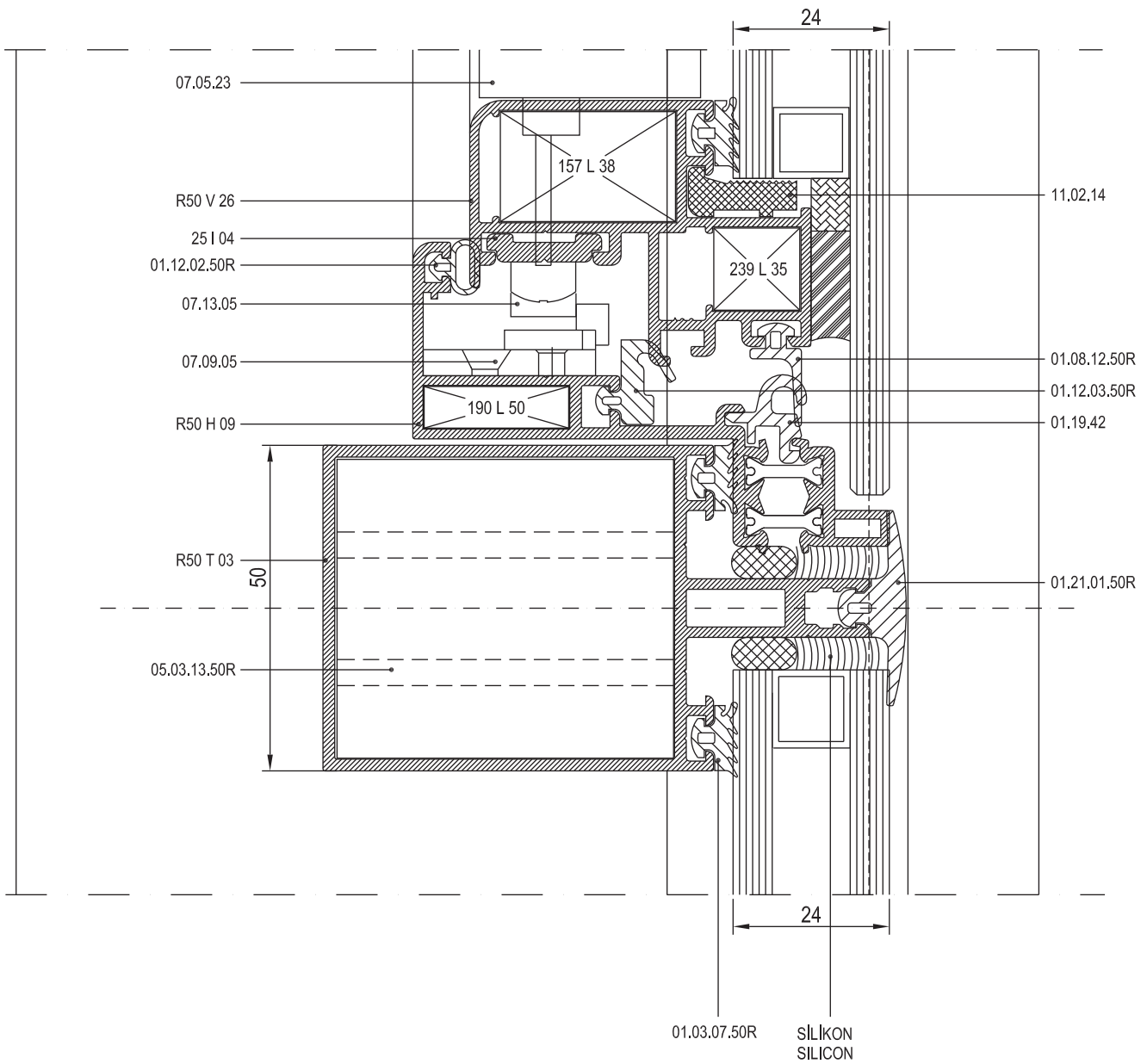
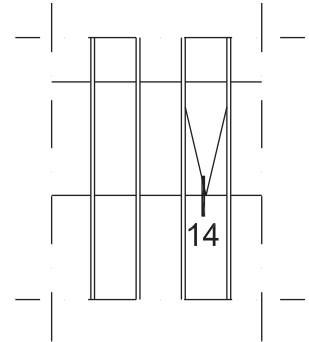
27

28

29

30





21

22

23

24

25

26

27

28

29

30



21

22

23

24

25

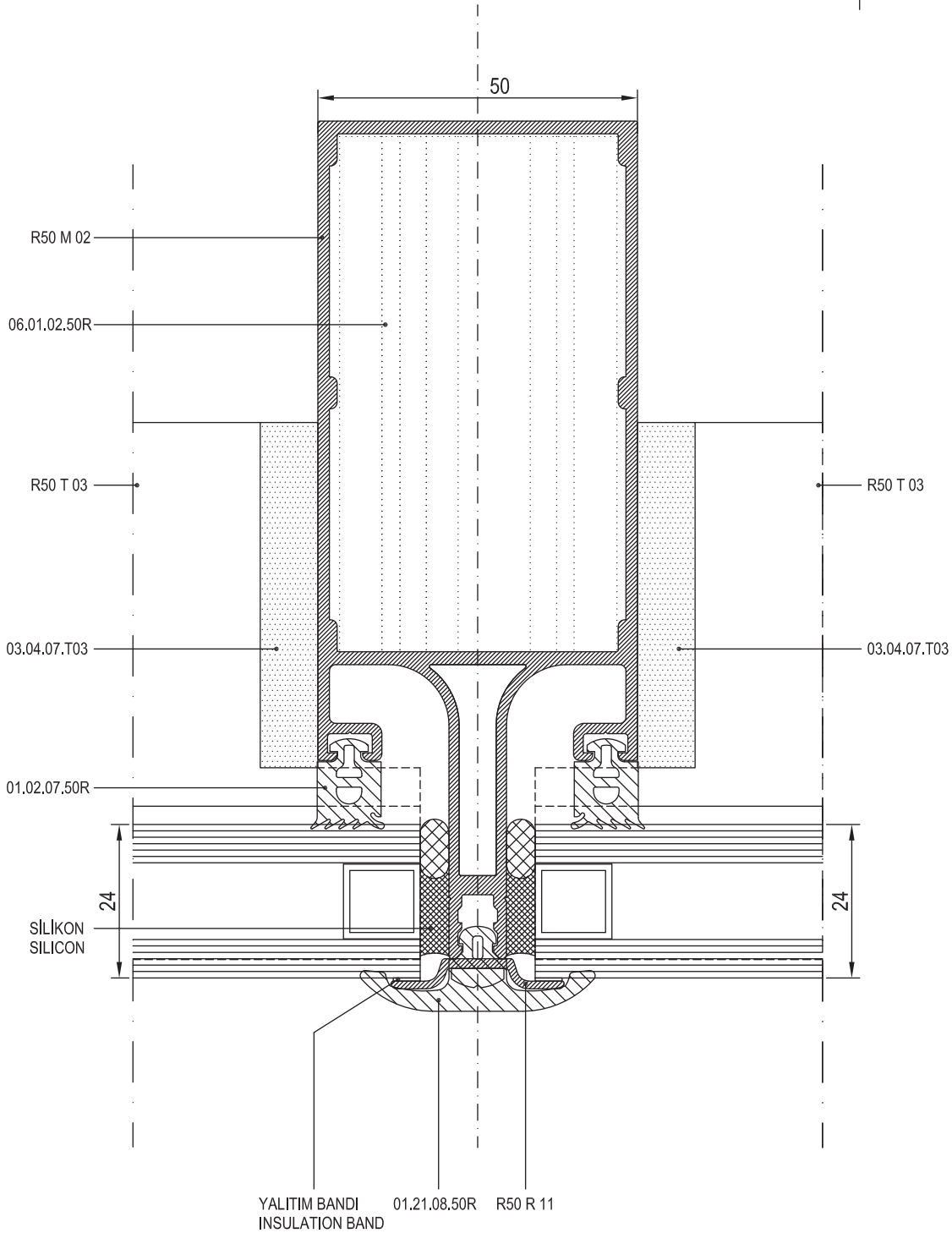
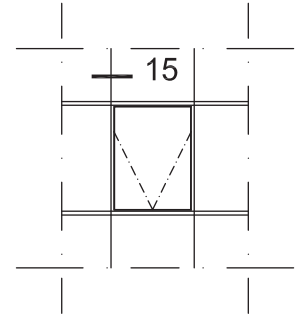
26

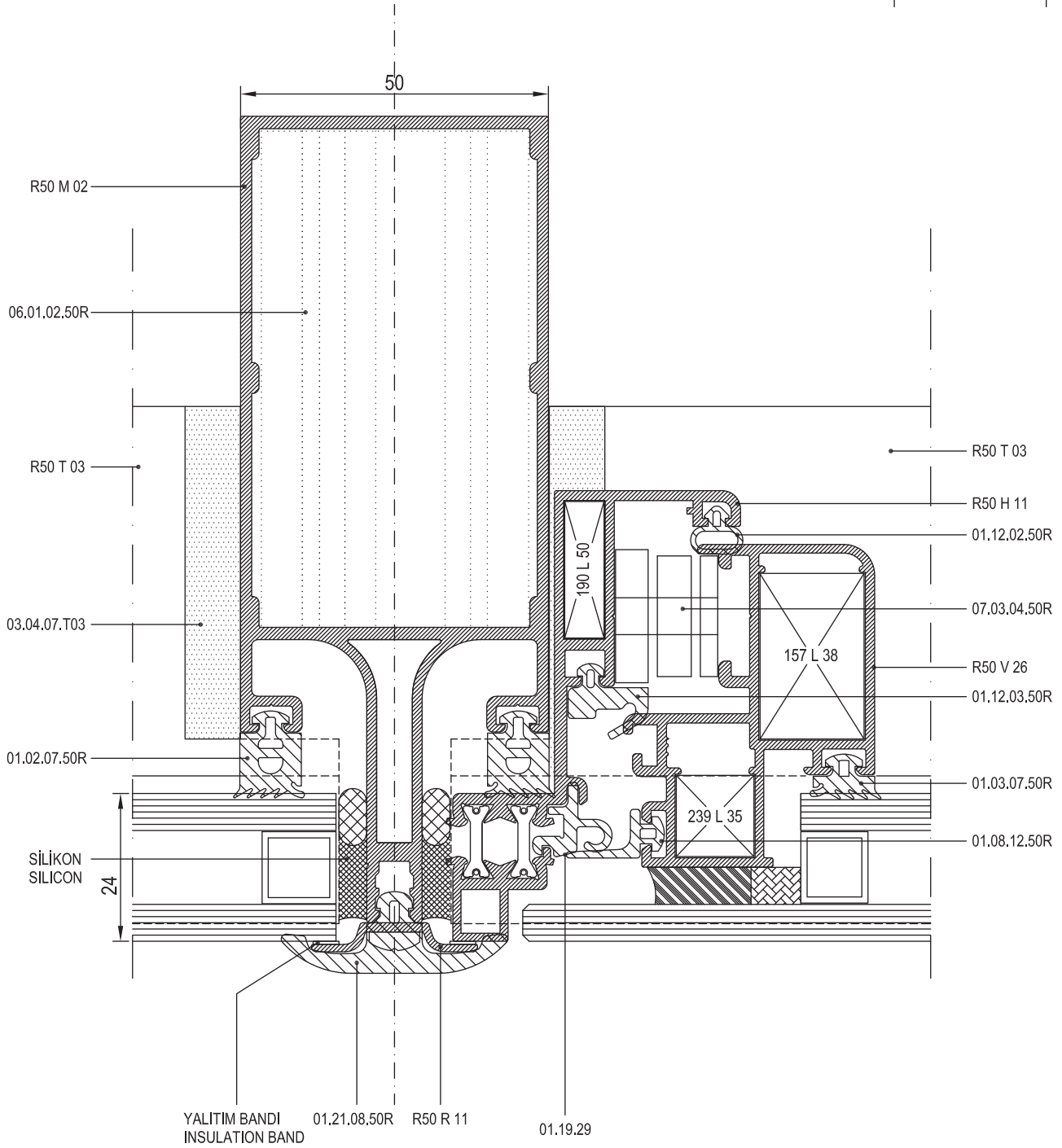
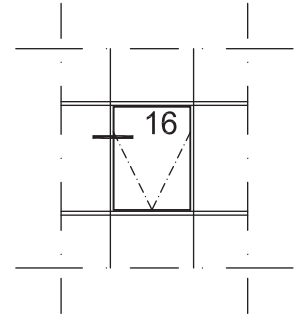
27

28

29

30





21

22

23

24

25

26

27

28

29

30



21

22

23

24

25

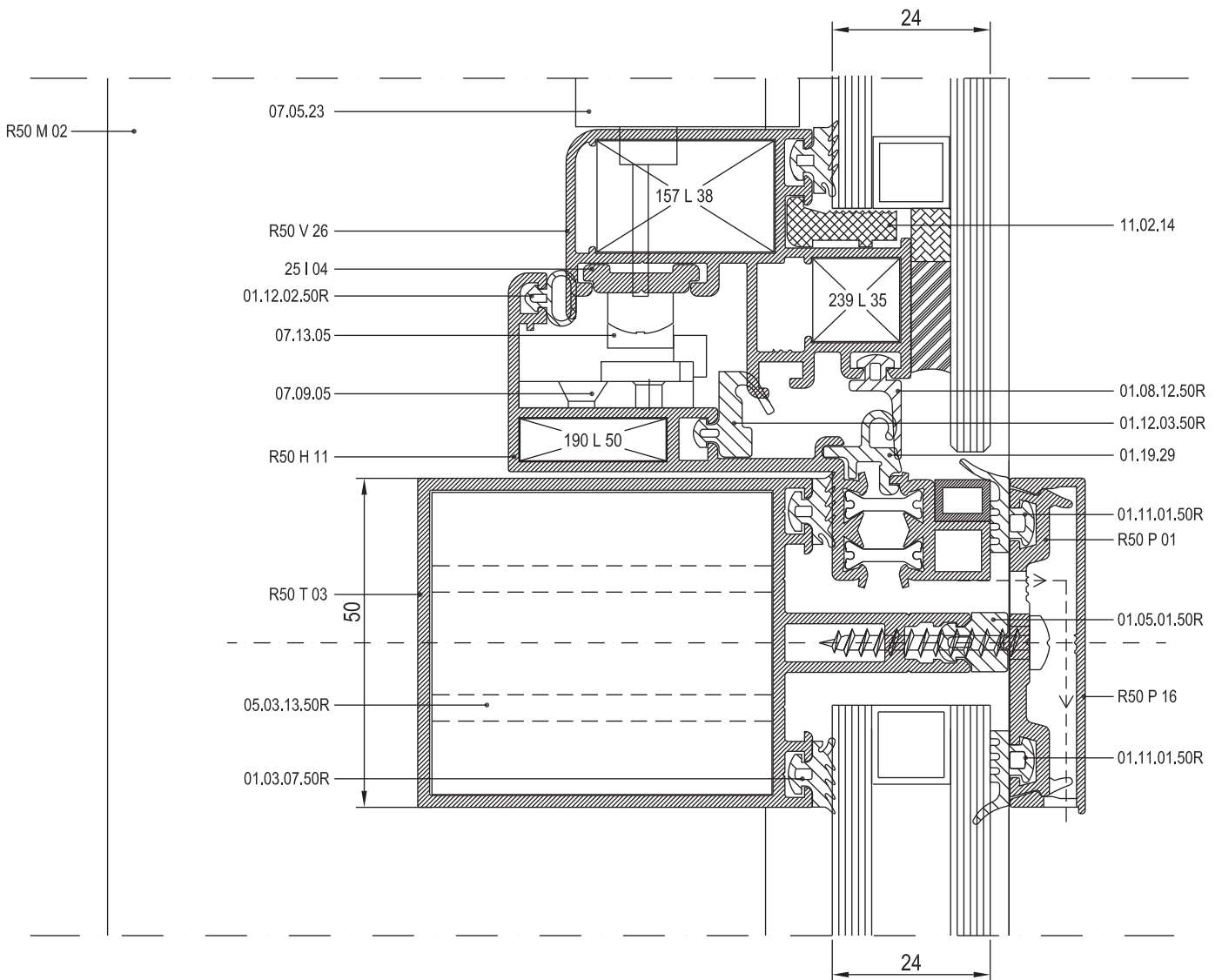
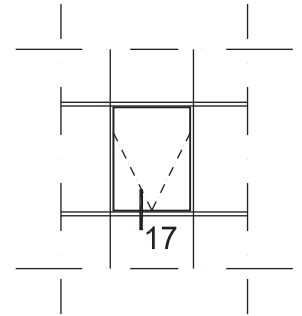
26

27

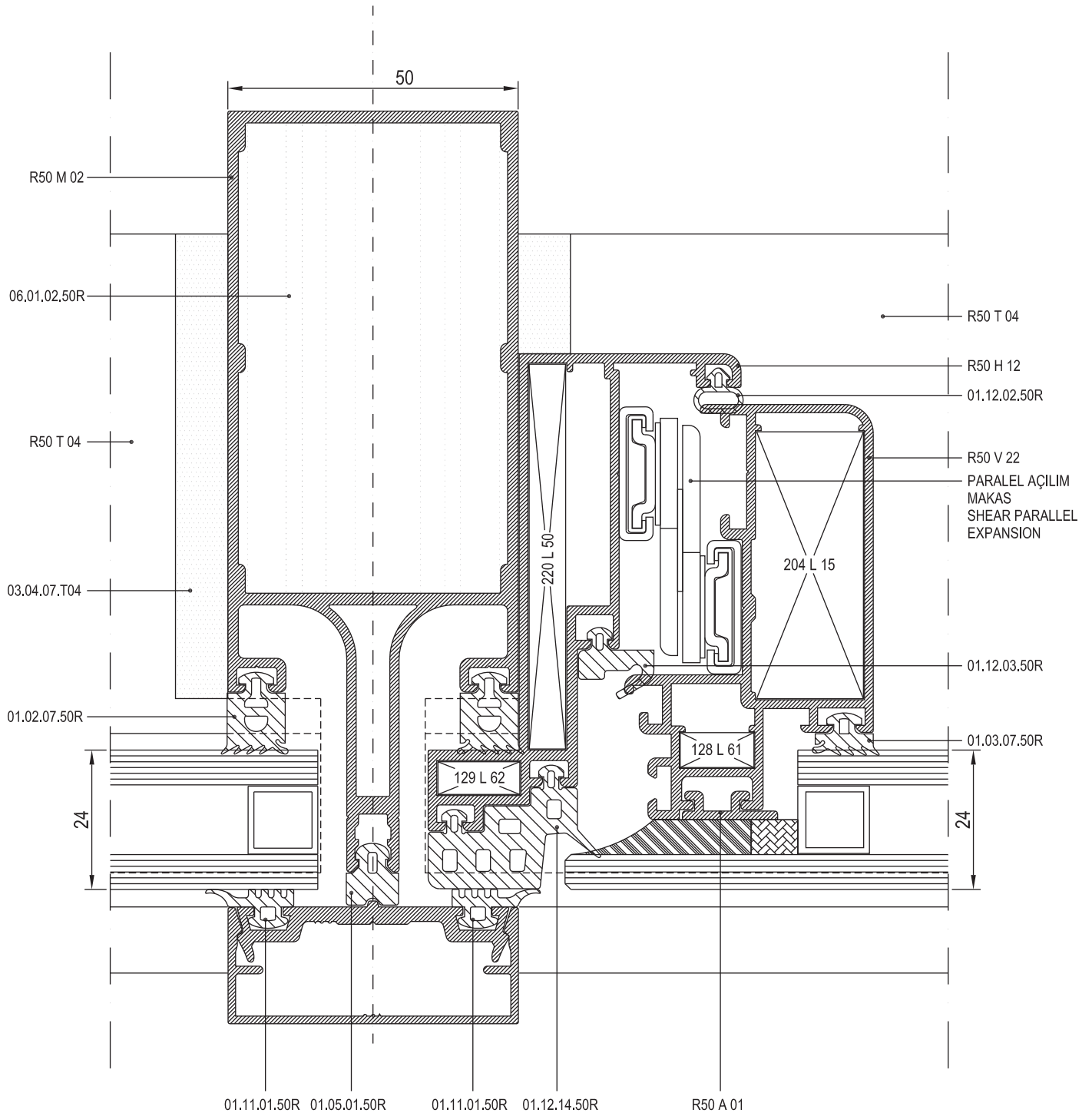
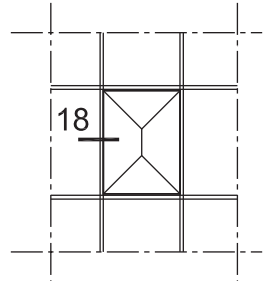
28

29

30







21

22

23

24

25

26

27

28

29

30



21

22

23

24

25

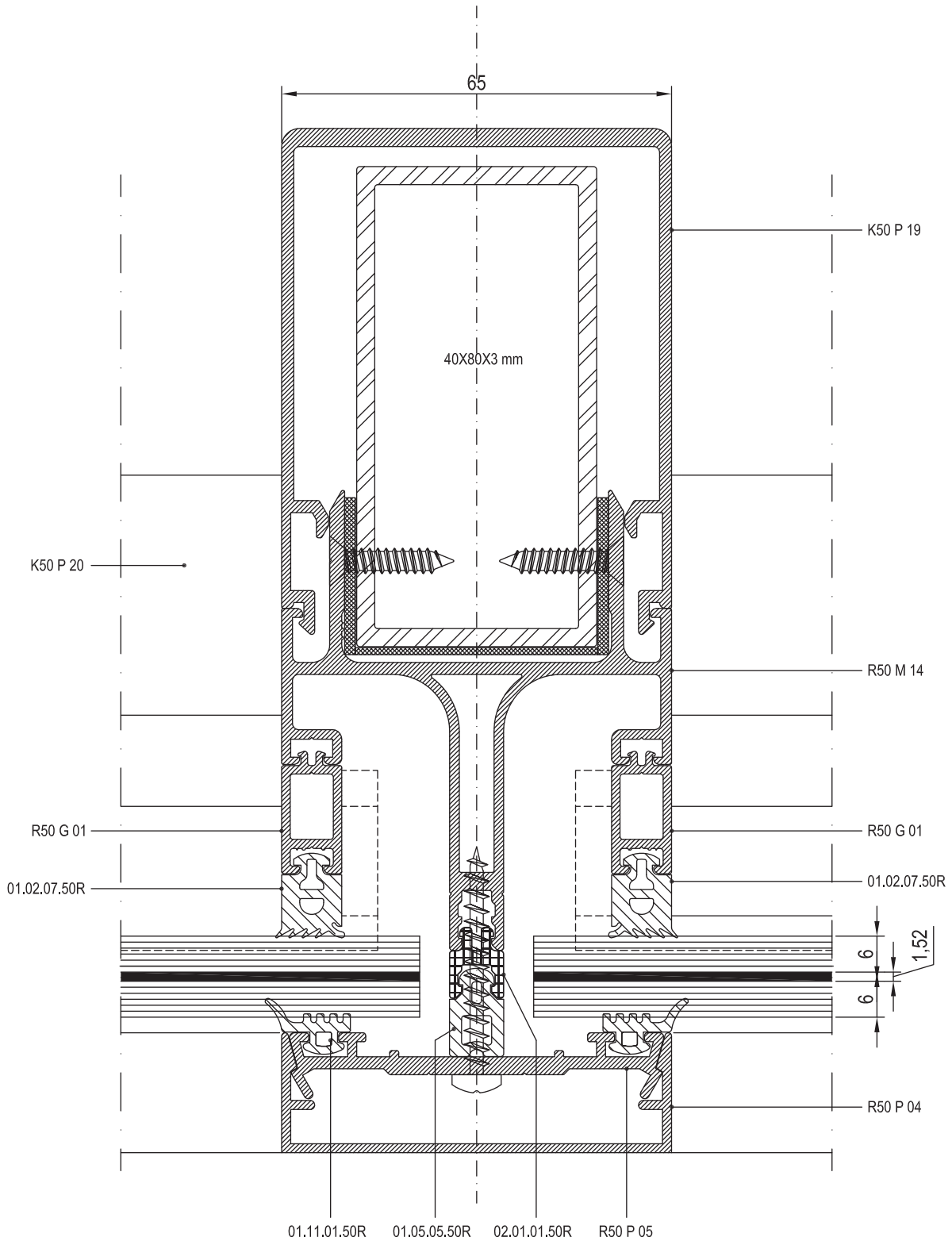
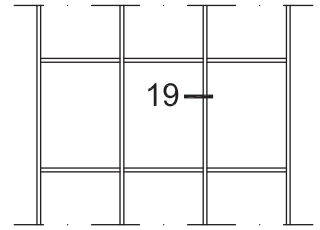
26

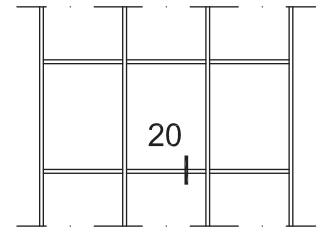
27

28

29

30





21

22

23

24

25

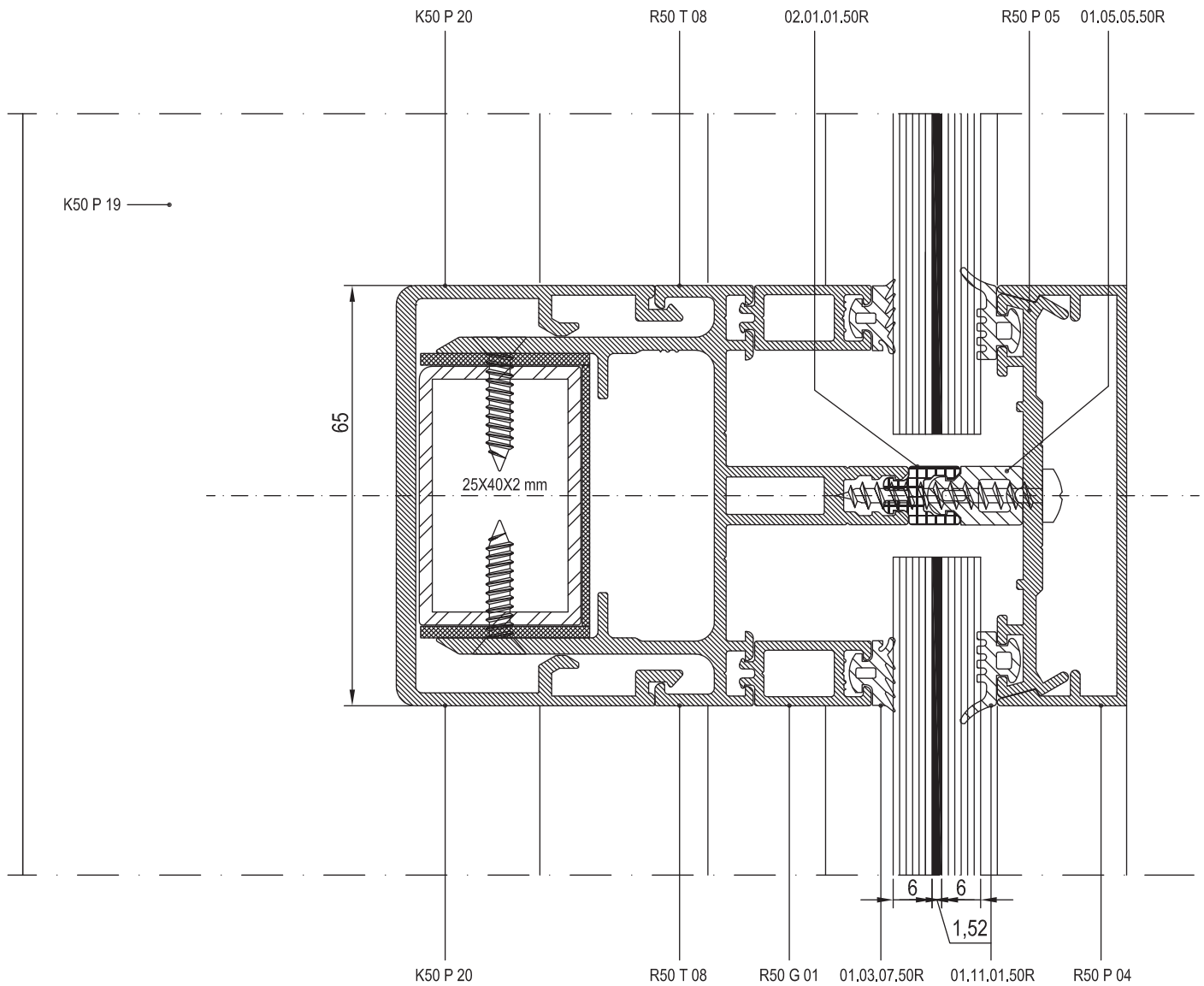
26

27

28

29

30





21

22

23

24

25

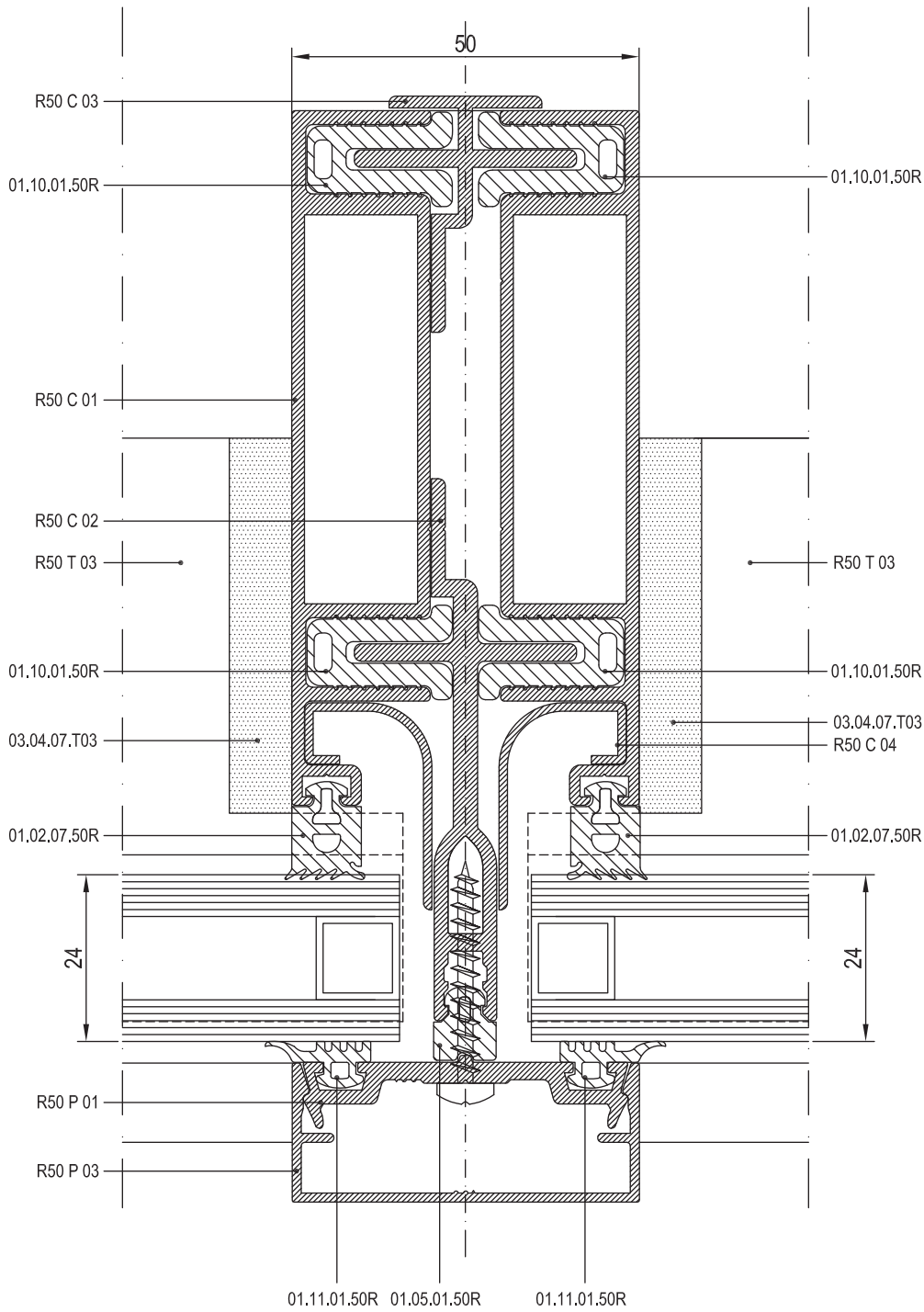
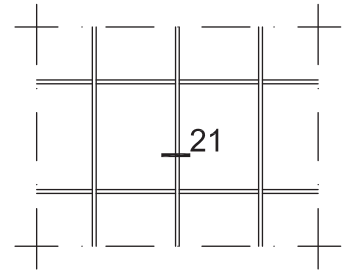
26

27

28

29

30



# MİMARİ KATALOG

## ARCHITECTURAL CATALOGUE

Aluminyum Kapı Pencere ve Giydirme Cephe Sistemleri  
Aluminium Window Doors and Facade Systems



Rescara Sistem  
Profil Detayları

Rescara System  
Profile Details

# R50

SİLİKON DETAYLAR  
STRUCTURAL GLAZING DETAILS

21

22

23

24

25

26

27

28

29

30

# RESCARA SİSTEM

Alüminyum Kapı Pencere ve  
Giydirme Cephe Sistemleri



21

22

23

24

25

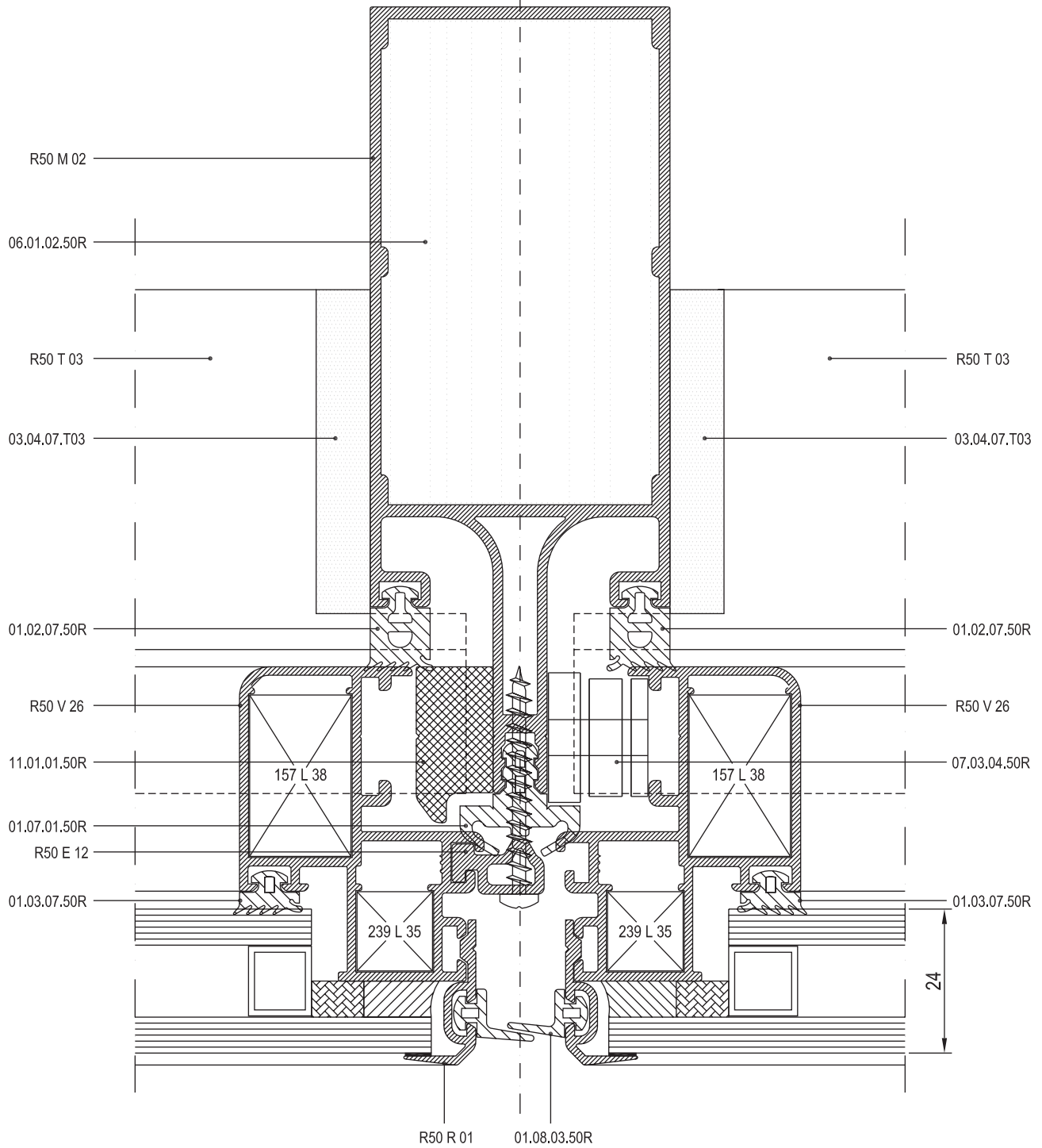
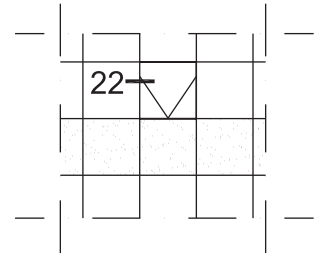
26

27

28

29

30



21

22

23

24

25

26

27

28

29

30



21

22

23

24

25

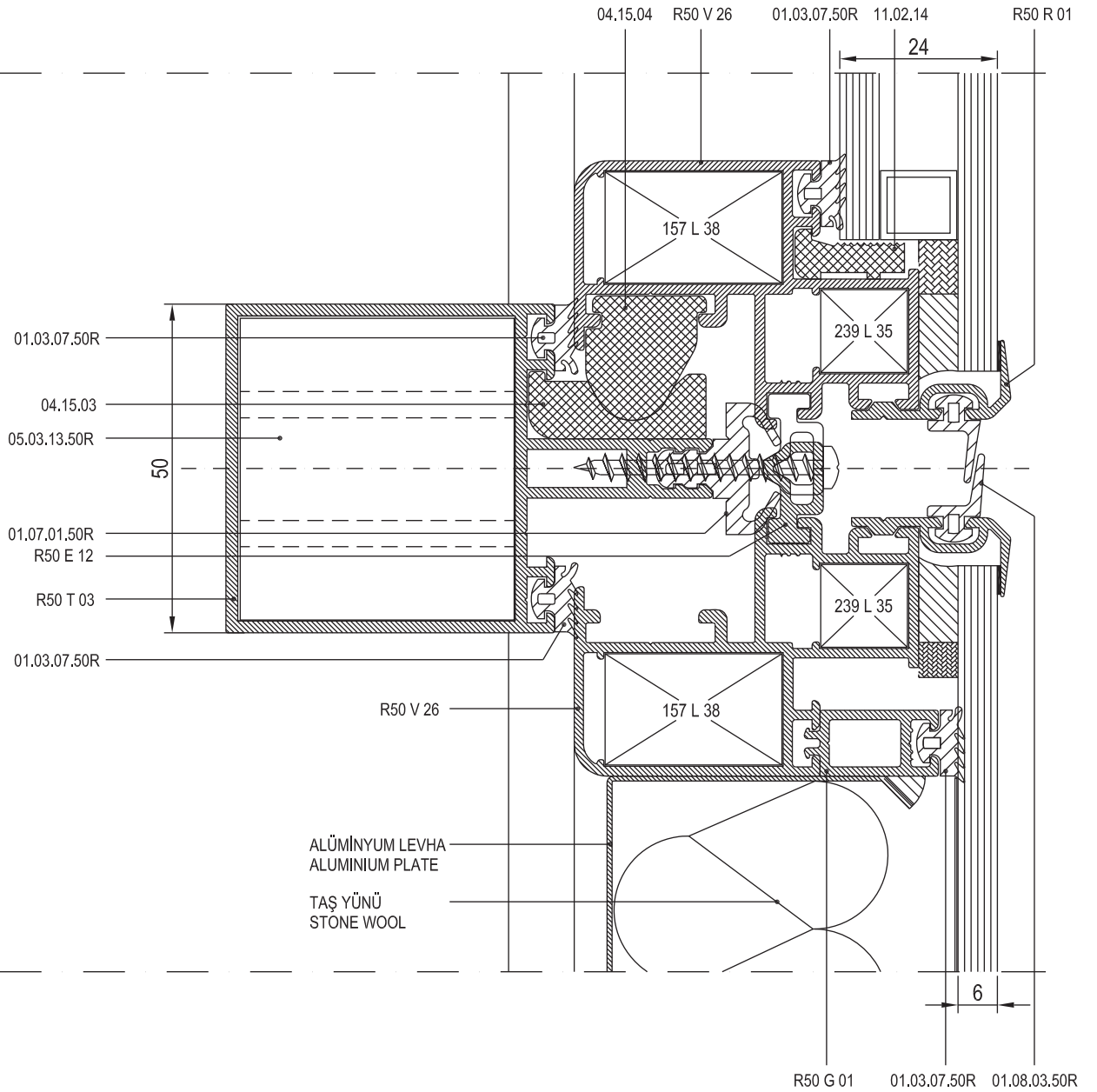
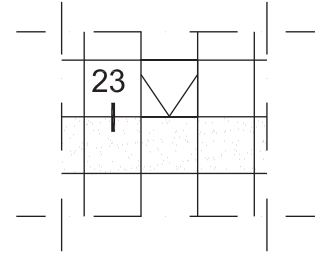
26

27

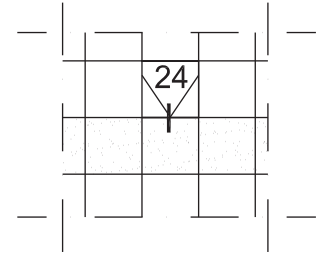
28

29

30







21

22

23

24

25

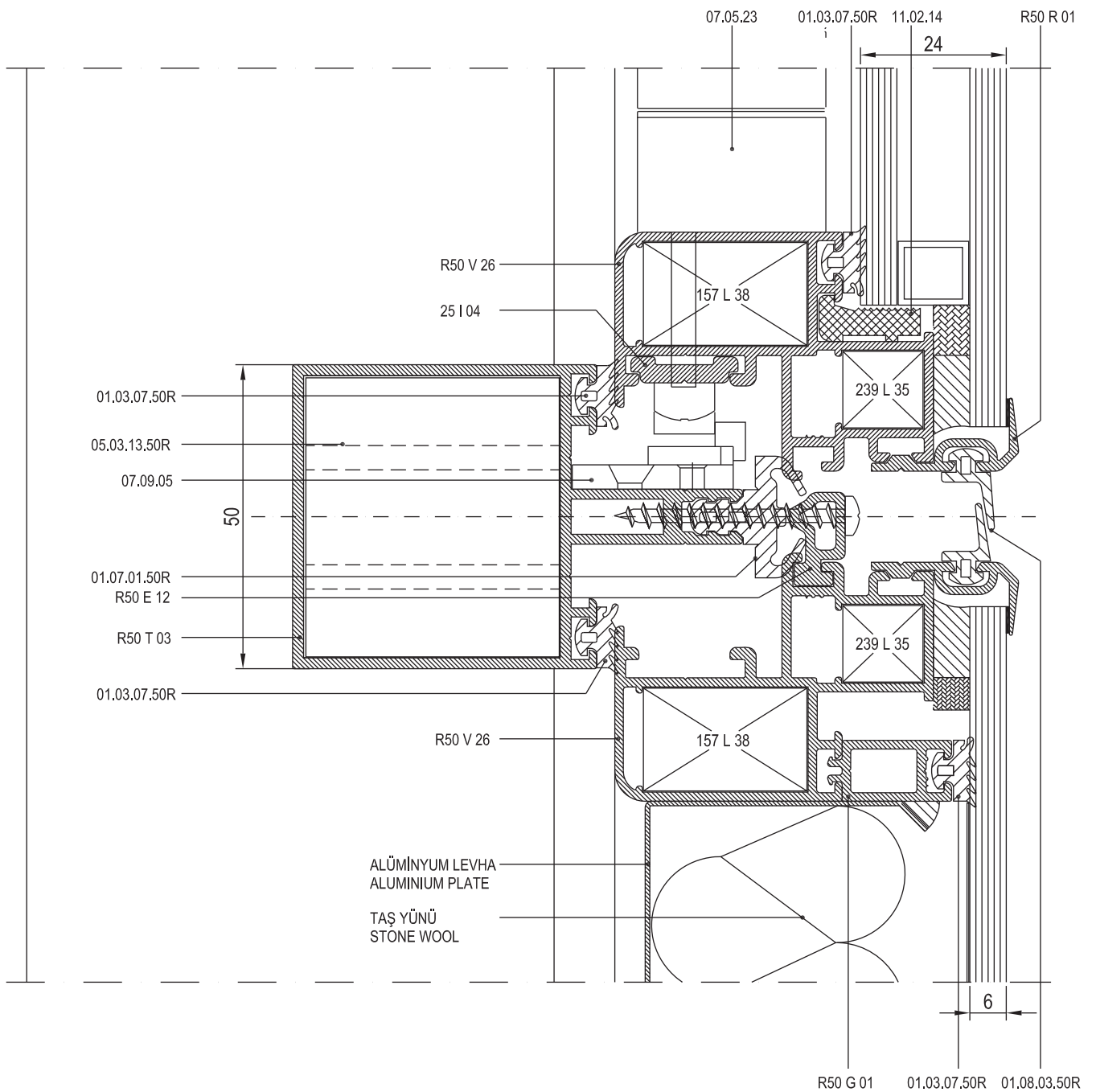
26

27

28

29

30





21

22

23

24

25

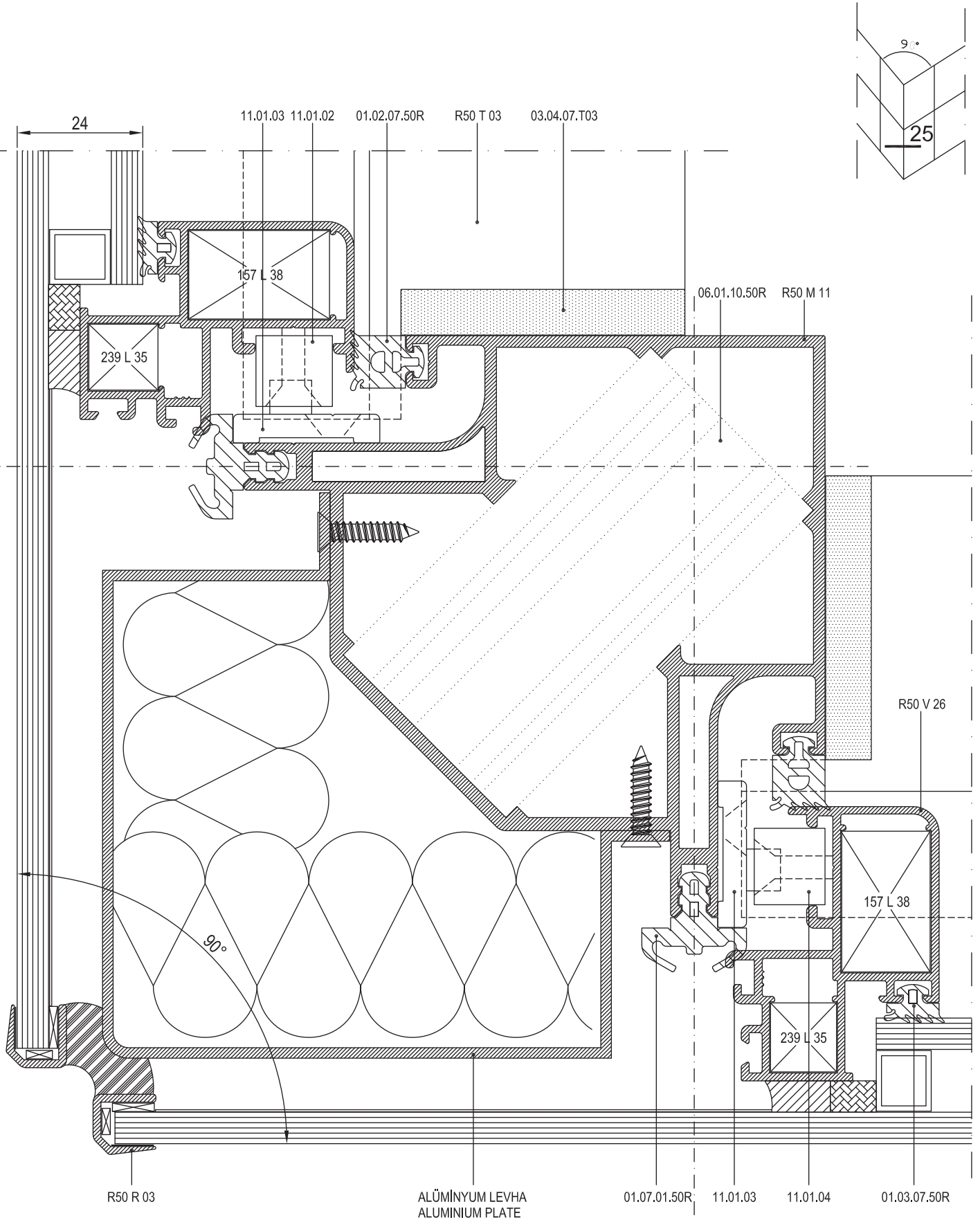
26

27

28

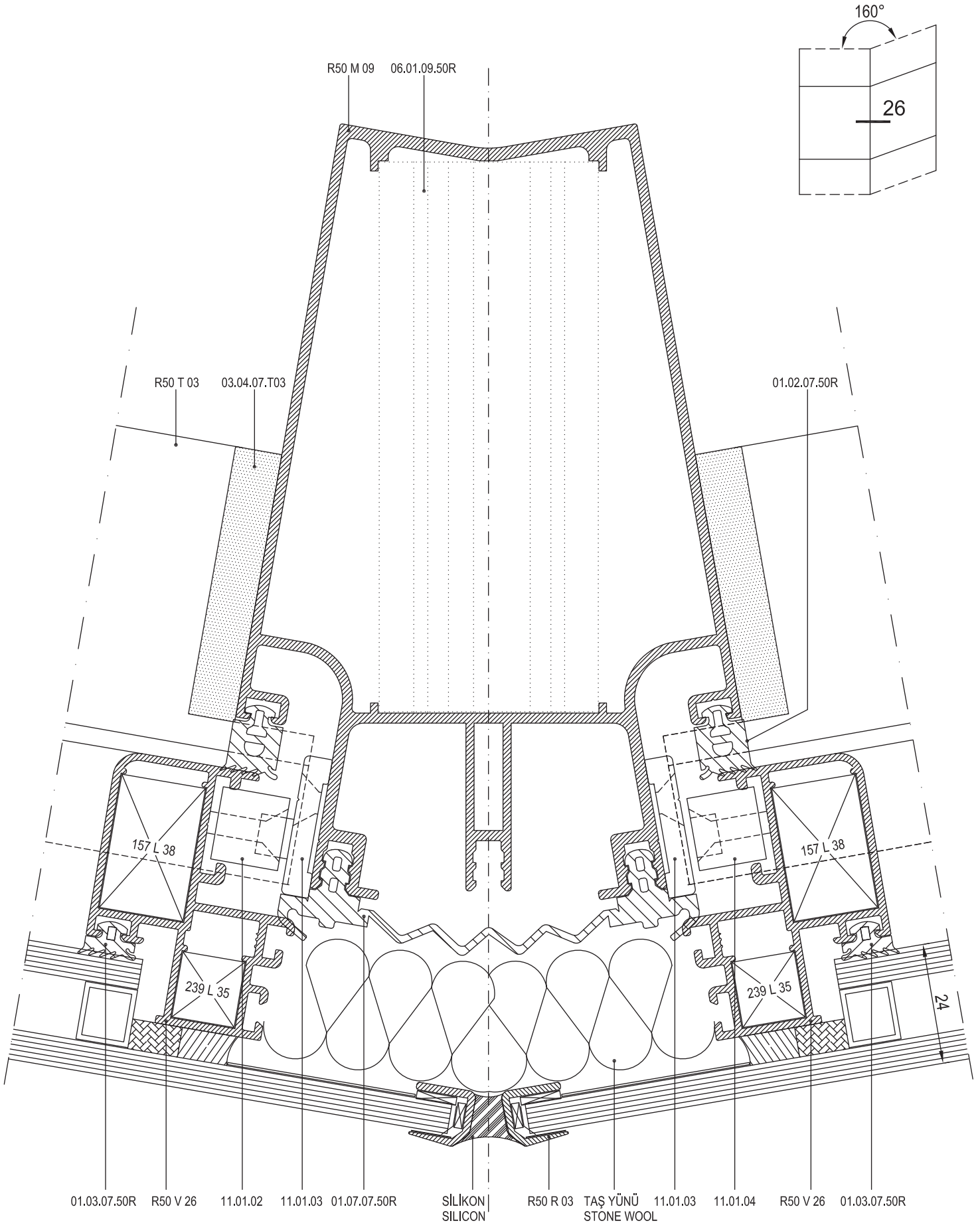
29

30



\*ALÜMİNYUM PANEL SİYAH ELOKSAL(AS-M4) OLMALIDIR.

\*ALUMINIUM PLATE MUST BE BLACK ANODISED (S-M4).



21

22

23

24

25

26

27

28

29

30



21

22

23

24

25

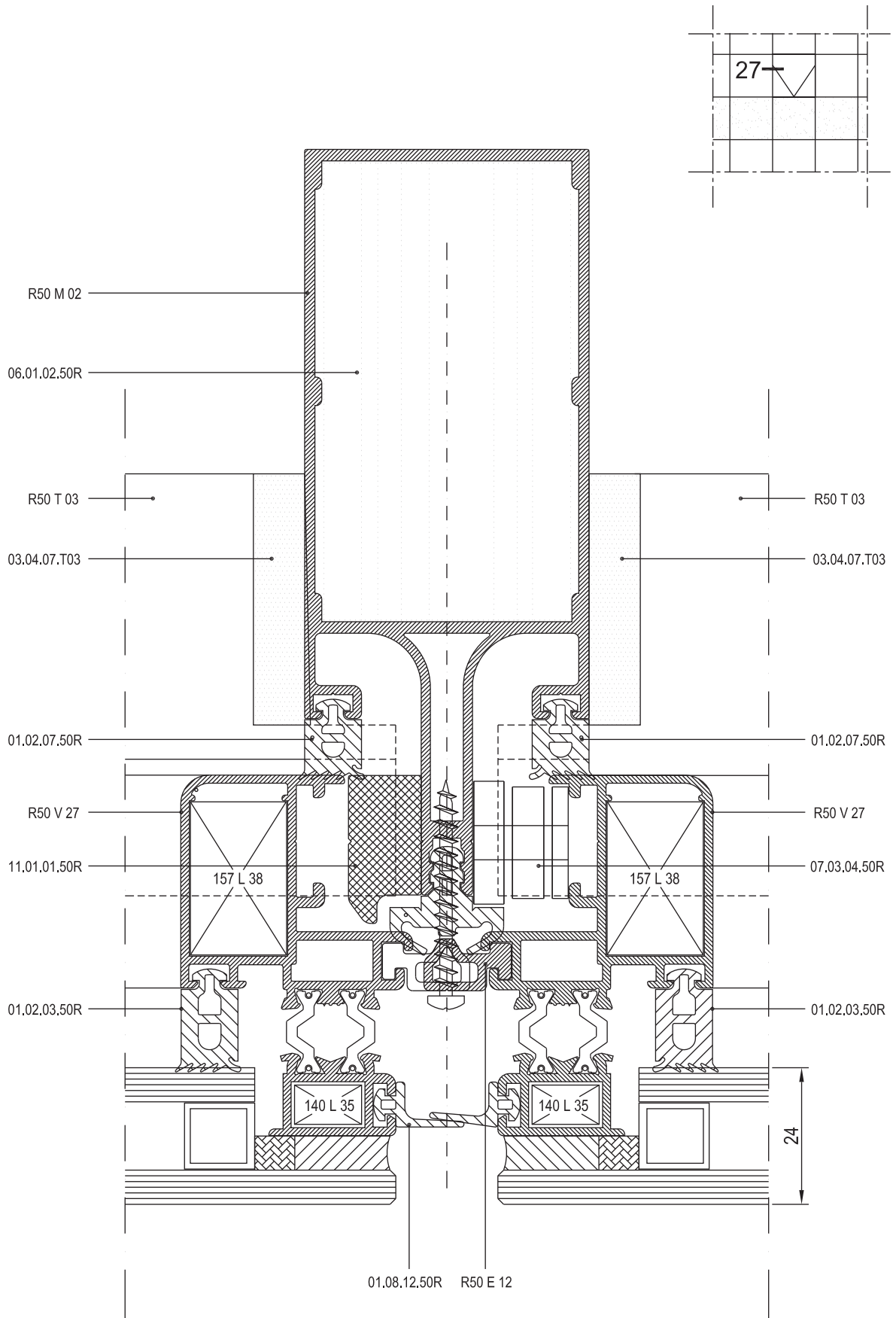
26

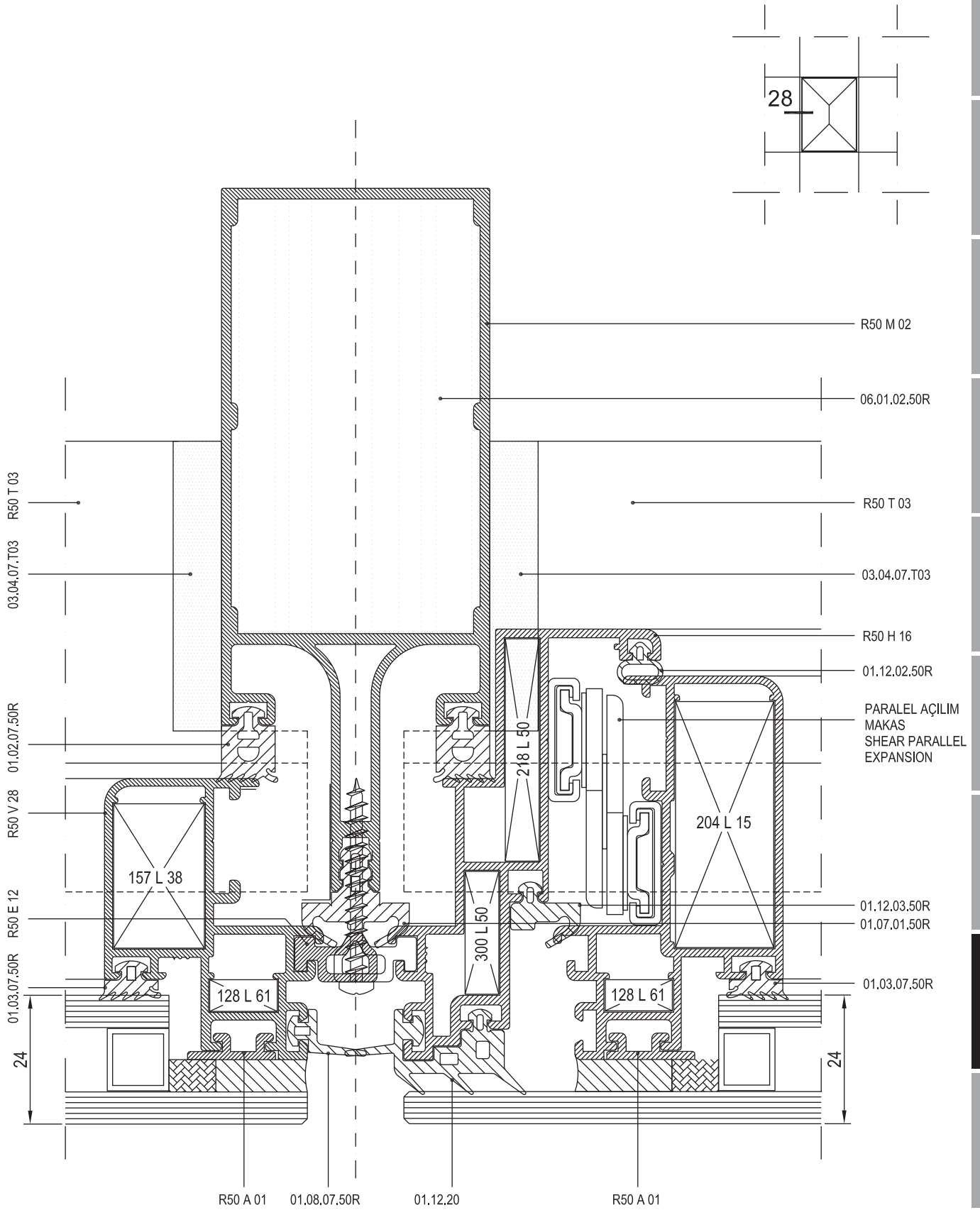
27

28

29

30





21

22

23

24

25

26

27

28

29

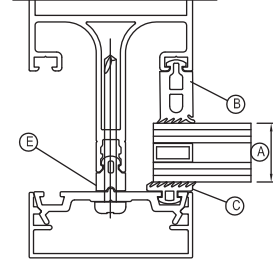
30



21

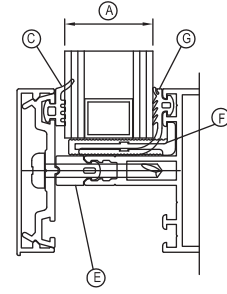
22

A	B	C	E	F	G
CAM GLASS	İÇ CAM FİTİLİ GLASS GASKET	DIŞ CAM FİTİLİ GLASS GASKET	ORTA FİTİL CENTRAL GASKET	CAM TAKOZU SUPPORTER	İÇ CAM FİTİLİ GLASS GASKET
18 mm.	01.02.01.50R	01.11.01.50R	01.05.01.50R	R50 S 01	01.03.01.50R
19 mm.	01.02.02.50R	01.11.01.50R	01.05.01.50R	R50 S 01	01.03.02.50R
20 mm.	01.02.03.50R	01.11.01.50R	01.05.01.50R	R50 S 01	01.03.03.50R
21 mm.	01.02.04.50R	01.11.01.50R	01.05.01.50R	R50 S 01	01.03.04.50R
22 mm.	01.02.05.50R	01.11.01.50R	01.05.01.50R	R50 S 01	01.03.05.50R
23 mm.	01.02.06.50R	01.11.01.50R	01.05.01.50R	R50 S 01	01.03.06.50R
24 mm.	01.02.07.50R	01.11.01.50R	01.05.01.50R	R50 S 01	01.03.07.50R
25 mm.	01.02.07.50R	01.11.01.50R	01.05.02.50R	R50 S 01	01.03.07.50R
26 mm.	01.02.07.50R	01.11.01.50R	01.05.03.50R	R50 S 01	01.03.07.50R
27 mm.	01.02.07.50R	01.11.01.50R	01.05.04.50R	R50 S 01	01.03.07.50R
28 mm.	01.02.07.50R	01.11.01.50R	01.05.05.50R	R50 S 01	01.03.07.50R
29 mm.	01.02.07.50R	01.11.01.50R	01.05.06.50R	R50 S 01	01.03.07.50R



23

24

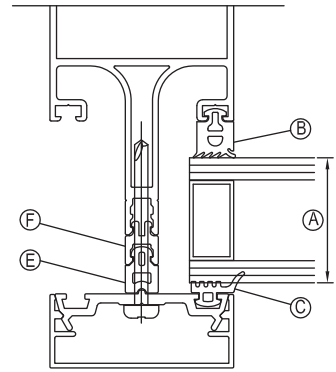


25

26

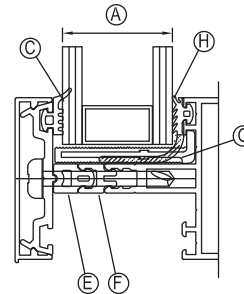
27

A	B	C	E	G	H	F
CAM GLASS	İÇ CAM FİTİLİ GLASS GASKET	DIŞ CAM FİTİLİ GLASS GASKET	ORTA FİTİL CENTRAL GASKET	CAM TAKOZU SUPPORTER	İÇ CAM FİTİLİ GLASS GASKET	PVC PROFİL PVC PROFILE
30 mm.	01.02.06.50R	01.11.01.50R	01.05.01.50R	R50 S 01	01.03.06.50R	02.01.01.50R
31 mm.	01.02.07.50R	01.11.01.50R	01.05.01.50R	R50 S 01	01.03.07.50R	02.01.01.50R
32 mm.	01.02.07.50R	01.11.01.50R	01.05.02.50R	R50 S 01	01.03.07.50R	02.01.01.50R
33 mm.	01.02.07.50R	01.11.01.50R	01.05.03.50R	R50 S 01	01.03.07.50R	02.01.01.50R
34 mm.	01.02.07.50R	01.11.01.50R	01.05.04.50R	R50 S 01	01.03.07.50R	02.01.01.50R
35 mm.	01.02.07.50R	01.11.01.50R	01.05.05.50R	R50 S 01	01.03.07.50R	02.01.01.50R
36 mm.	01.02.07.50R	01.11.01.50R	01.05.06.50R	R50 S 01	01.03.07.50R	02.01.01.50R
37 mm.	01.02.07.50R	01.11.01.50R	01.05.02.50R	R50 S 01	01.03.07.50R	02.01.08.50R
38 mm.	01.02.07.50R	01.11.01.50R	01.05.03.50R	R50 S 01	01.03.07.50R	02.01.08.50R
39 mm.	01.02.07.50R	01.11.01.50R	01.05.04.50R	R50 S 01	01.03.07.50R	02.01.08.50R
40 mm.	01.02.07.50R	01.11.01.50R	01.05.05.50R	R50 S 01	01.03.07.50R	02.01.08.50R



28

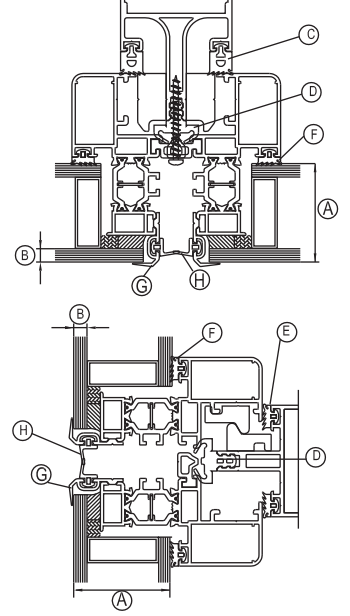
29



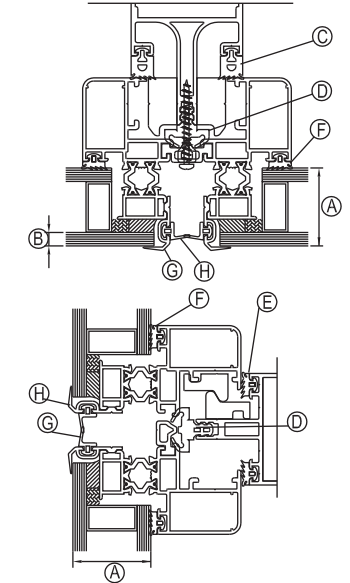
30


**KULLANILAN PROFİL: R50 V 30**

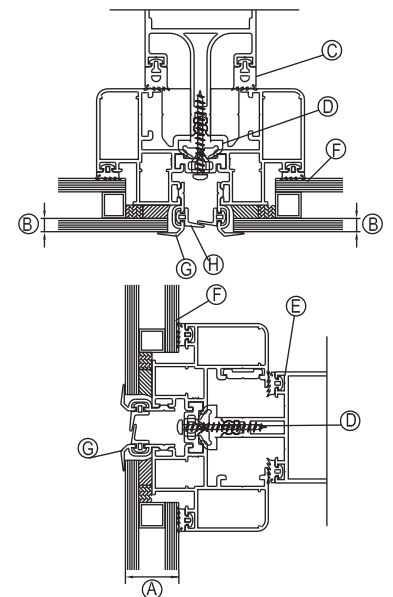
A CAM GLASS	F (İÇ CAM FİTİLİ)			C CAM FİTİLİ GLASS GASKET	D ORTA FİTİL CENTRAL GASKET	E CAM FİTİLİ GLASS GASKET	G TIRNAK FİTİLİ GASKET
	B , DIŞ CAM KALINLIĞI 5 mm, R50 R 06	GLASS THICKNESS (OUT) 6 mm, R50 R 01	8 mm, R50 R 05				
30 mm.	01.02.01.50R	—	—	01.02.07.50R	01.07.01.50R	01.03.07.50R	01.08.03.50R
31 mm.	01.02.02.50R	01.02.01.50R	—	01.02.07.50R	01.07.01.50R	01.03.07.50R	01.08.03.50R
32 mm.	01.02.03.50R	01.02.02.50R	01.02.01.50R	01.02.07.50R	01.07.01.50R	01.03.07.50R	01.08.03.50R
33 mm.	01.02.04.50R	01.02.03.50R	01.02.02.50R	01.02.07.50R	01.07.01.50R	01.03.07.50R	01.08.03.50R
34 mm.	01.02.05.50R	01.02.04.50R	01.02.03.50R	01.02.07.50R	01.07.01.50R	01.03.07.50R	01.08.03.50R
35 mm.	01.02.06.50R	01.02.05.50R	01.02.04.50R	01.02.07.50R	01.07.01.50R	01.03.07.50R	01.08.03.50R
36 mm.	01.02.07.50R	01.02.06.50R	01.02.05.50R	01.02.07.50R	01.07.01.50R	01.03.07.50R	01.08.03.50R
37 mm.	01.03.01.50R	01.02.07.50R	01.02.06.50R	01.02.07.50R	01.07.01.50R	01.03.07.50R	01.08.03.50R
38 mm.	01.03.02.50R	01.03.01.50R	01.02.07.50R	01.02.07.50R	01.07.01.50R	01.03.07.50R	01.08.03.50R
39 mm.	01.03.03.50R	01.03.02.50R	01.03.01.50R	01.02.07.50R	01.07.01.50R	01.03.07.50R	01.08.03.50R
40 mm.	01.03.04.50R	01.03.03.50R	01.03.02.50R	01.02.07.50R	01.07.01.50R	01.03.07.50R	01.08.03.50R
41 mm.	01.03.05.50R	01.03.04.50R	01.03.03.50R	01.02.07.50R	01.07.01.50R	01.03.07.50R	01.08.03.50R
42 mm.	01.03.06.50R	01.03.05.50R	01.03.04.50R	01.02.07.50R	01.07.01.50R	01.03.07.50R	01.08.03.50R
43 mm.	01.03.07.50R	01.03.06.50R	01.03.05.50R	01.02.07.50R	01.07.01.50R	01.03.07.50R	01.08.03.50R
44 mm.	—	01.03.07.50R	01.03.06.50R	01.02.07.50R	01.07.01.50R	01.03.07.50R	01.08.03.50R
45 mm.	—	—	01.03.07.50R	01.02.07.50R	01.07.01.50R	01.03.07.50R	01.08.03.50R
46 mm.	—	—	—	01.02.07.50R	01.07.01.50R	01.03.07.50R	01.08.03.50R


**KULLANILAN PROFİL: R50 V 27**

A CAM GLASS	F (İÇ CAM FİTİLİ)			C CAM FİTİLİ GLASS GASKET	D ORTA FİTİL CENTRAL GASKET	E CAM FİTİLİ GLASS GASKET	G TIRNAK FİTİLİ GASKET
	B , DIŞ CAM KALINLIĞI 5 mm, R50 R 06	GLASS THICKNESS (OUT) 6 mm, R50 R 01	8 mm, R50 R 05				
21 mm.	01.02.01.50R	—	—	01.02.07.50R	01.07.01.50R	01.03.07.50R	01.08.03.50R
22 mm.	01.02.02.50R	01.02.01.50R	—	01.02.07.50R	01.07.01.50R	01.03.07.50R	01.08.03.50R
23 mm.	01.02.03.50R	01.02.02.50R	—	01.02.07.50R	01.07.01.50R	01.03.07.50R	01.08.03.50R
24 mm.	—	01.02.03.50R	01.02.01.50R	01.02.07.50R	01.07.01.50R	01.03.07.50R	01.08.03.50R
25 mm.	01.02.05.50R	—	01.02.02.50R	01.02.07.50R	01.07.01.50R	01.03.07.50R	01.08.03.50R
26 mm.	01.02.06.50R	01.02.05.50R	01.02.03.50R	01.02.07.50R	01.07.01.50R	01.03.07.50R	01.08.03.50R
27 mm.	01.02.07.50R	01.02.06.50R	—	01.02.07.50R	01.07.01.50R	01.03.07.50R	01.08.03.50R
28 mm.	—	01.02.07.50R	01.02.05.50R	01.02.07.50R	01.07.01.50R	01.03.07.50R	01.08.03.50R
29 mm.	01.03.02.50R	—	01.02.06.50R	01.02.07.50R	01.07.01.50R	01.03.07.50R	01.08.03.50R
30 mm.	01.03.03.50R	01.03.02.50R	01.02.07.50R	01.02.07.50R	01.07.01.50R	01.03.07.50R	01.08.03.50R
31 mm.	01.03.04.50R	01.03.03.50R	—	01.02.07.50R	01.07.01.50R	01.03.07.50R	01.08.03.50R
32 mm.	—	01.03.04.50R	01.03.02.50R	01.02.07.50R	01.07.01.50R	01.03.07.50R	01.08.03.50R
33 mm.	01.03.06.50R	01.03.05.50R	01.03.03.50R	01.02.07.50R	01.07.01.50R	01.03.07.50R	01.08.03.50R
34 mm.	01.03.07.50R	01.03.06.50R	01.03.04.50R	01.02.07.50R	01.07.01.50R	01.03.07.50R	01.08.03.50R
35 mm.	—	01.03.07.50R	—	01.02.07.50R	01.07.01.50R	01.03.07.50R	01.08.03.50R
36 mm.	—	—	01.03.06.50R	01.02.07.50R	01.07.01.50R	01.03.07.50R	01.08.03.50R
37 mm.	—	—	01.03.07.50R	01.02.07.50R	01.07.01.50R	01.03.07.50R	01.08.03.50R


**KULLANILAN PROFİLLER: R50 V 26 - R50 V 28**

A CAM GLASS	F (İÇ CAM FİTİLİ)			C CAM FİTİLİ GLASS GASKET	D ORTA FİTİL CENTRAL GASKET	E CAM FİTİLİ GLASS GASKET	G TIRNAK FİTİLİ GASKET
	B , DIŞ CAM KALINLIĞI 5 mm, R50 R 06	GLASS THICKNESS (OUT) 6 mm, R50 R 01	8 mm, R50 R 05				
18 mm.	01.03.02.50R	01.03.01.50R	01.02.06.50R	01.02.07.50R	01.07.01.50R	01.03.07.50R	01.08.03.50R
19 mm.	01.03.03.50R	01.03.02.50R	01.02.07.50R	01.02.07.50R	01.07.01.50R	01.03.07.50R	01.08.03.50R
20 mm.	01.03.04.50R	01.03.03.50R	01.03.01.50R	01.02.07.50R	01.07.01.50R	01.03.07.50R	01.08.03.50R
21 mm.	01.03.05.50R	01.03.04.50R	01.03.02.50R	01.02.07.50R	01.07.01.50R	01.03.07.50R	01.08.03.50R
22 mm.	01.03.06.50R	01.03.05.50R	01.03.03.50R	01.02.07.50R	01.07.01.50R	01.03.07.50R	01.08.03.50R
23 mm.	01.03.07.50R	01.03.06.50R	01.03.04.50R	01.02.07.50R	01.07.01.50R	01.03.07.50R	01.08.03.50R
24 mm.	—	01.03.07.50R	01.03.05.50R	01.02.07.50R	01.07.01.50R	01.03.07.50R	01.08.03.50R
25 mm.	—	—	01.03.06.50R	01.02.07.50R	01.07.01.50R	01.03.07.50R	01.08.03.50R
26 mm.	—	—	01.03.07.50R	01.02.07.50R	01.07.01.50R	01.03.07.50R	01.08.03.50R





21

22

23

24

25

26

27

28


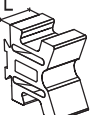

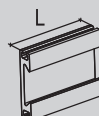
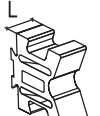

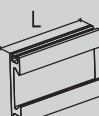
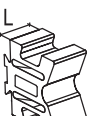

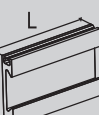


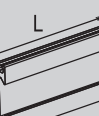



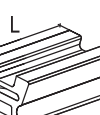

29

30

ÇİZİM DRAWING	AKSESUAR KODU ACCESSORY CODE	PROFİL PROFILE	KESİM ÖLÇÜSÜ CUTTING SIZE
	06.01.01.50R	R50 M 01 R50 M 20	L=60,5 mm
	06.01.02.50R	R50 M 02 R50 M 18	L=80,5 mm
	06.01.03.50R	R50 M 03 R50 M 21	L=98,5 mm
	06.01.04.50R	R50 M 04	L=117,5 mm
	06.01.05.50R	R50 M 05	L=134,5 mm
	06.01.06.50R	R50 M 06	L=154,5 mm
	06.01.07.50R	R50 M 07	L=64,5 mm
	06.01.08.50R	R50 M 08	L=95,5 mm
	06.01.09.50R	R50 M 09	L=109,5 mm
	06.01.10.50R	R50 M 11	L=82,64 mm
	06.01.11.50R	R50 M 17	L=100,5 mm
	06.01.12.50R	R50 M 18	L=80,9 mm
	06.01.16.50R	R50 M 19	L=74,5 mm
	06.01.17.50R	R50 M 26	L=173,5 mm
06.01.19.50R	R50 M 29	L=137,8mm	





ÇİZİM / DRAWING	ÇİZİM / DRAWING	ÇİZİM / DRAWING	RENK / COLOUR		UYGULAMA / APPLICATION
05.03.01.50R  KESİM ÖLÇÜSÜ CUTTING SIZE L=18,7 mm	05.03.11.50R  KESİM ÖLÇÜSÜ CUTTING SIZE L=19,7 mm	03.04.07.T01  KESİM ÖLÇÜSÜ CUTTING SIZE L= 23 mm	PRES	R50 T 01	
05.03.02.50R  KESİM ÖLÇÜSÜ CUTTING SIZE L=40,9 mm	05.03.12.50R  KESİM ÖLÇÜSÜ CUTTING SIZE L=41,9 mm	03.04.07.T02  KESİM ÖLÇÜSÜ CUTTING SIZE L= 45 mm	PRES	R50 T 02 R50 T 13	
05.03.03.50R  KESİM ÖLÇÜSÜ CUTTING SIZE L=50,9 mm	05.03.13.50R  KESİM ÖLÇÜSÜ CUTTING SIZE L=51,9 mm	03.04.07.T03  KESİM ÖLÇÜSÜ CUTTING SIZE L= 55 mm	PRES	R50 T 03	
05.03.04.50R  KESİM ÖLÇÜSÜ CUTTING SIZE L=76,9 mm	05.03.14.50R  KESİM ÖLÇÜSÜ CUTTING SIZE L=77,8 mm	03.04.07.T04  KESİM ÖLÇÜSÜ CUTTING SIZE L= 81 mm	PRES	R50 T 04 R50 T 18	
05.03.05.50R  KESİM ÖLÇÜSÜ CUTTING SIZE L=96,9 mm	05.03.15.50R  KESİM ÖLÇÜSÜ CUTTING SIZE L=97,8 mm	03.04.07.T05  KESİM ÖLÇÜSÜ CUTTING SIZE L= 101 mm	PRES	R50 T 05	
05.03.06.50R  KESİM ÖLÇÜSÜ CUTTING SIZE L=116,9 mm	05.03.16.50R  KESİM ÖLÇÜSÜ CUTTING SIZE L=115,8 mm	03.04.07.T06  KESİM ÖLÇÜSÜ CUTTING SIZE L= 120 mm	PRES	R50 T 06	

21

22

23

24

25

26

27

28

29

30



21

ÇİZİM DRAWING	AKSESUAR KODU ACCESSORY CODE	PROFİL PROFILE	KESİM ÖLÇÜSÜ CUTTING SIZE
	05.02.01.50R	R50 T 01	L=20,7 mm

22

	05.02.02.50R	R50 T 02 R50 T 13	L=41,9 mm
--	--------------	----------------------	-----------

23

	05.02.03.50R	R50 T 03	L=51,9 mm
--	--------------	----------	-----------

24

	05.02.04.50R	R50 T 04 R50 T 18	L=77,8 mm
--	--------------	----------------------	-----------

25

	05.02.05.50R	R50 T 05	L=97,8 mm
--	--------------	----------	-----------

26

	05.02.06.50R	R50 T 06	L=115,8 mm
--	--------------	----------	------------

27

	05.02.07.50R	R50 T 15	L=66,6 mm
--	--------------	----------	-----------

28

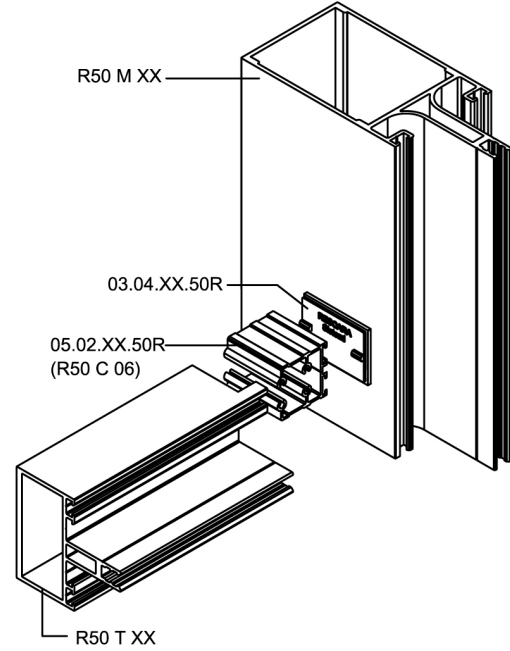
	05.02.08.50R	R50 T 16	L=97,6 mm
--	--------------	----------	-----------

29

	05.02.09.50R	R50 T 17	L=137,8 mm
--	--------------	----------	------------

30

	05.02.10.50R	R50 T 14	L=117,7 mm
--	--------------	----------	------------



ÇİZİM DRAWING	AKSESUAR KODU ACCESSORY CODE	PROFİL PROFILE	KESİM ÖLÇÜSÜ CUTTING SIZE
	03.04.01.50R	R50 T 01	L=24 mm
	03.04.02.50R	R50 T 02 R50 T 13	L=44 mm
	03.04.03.50R	R50 T 03	L=54 mm
	03.04.04.50R	R50 T 04 R50 T 18	L=80 mm
	03.04.05.50R	R50 T 05	L=100 mm
	03.04.06.50R	R50 T 06 R50 T 16	L=120 mm



ÇİZİM DRAWING	AKSESUAR KODU ACCESSORY CODE	PROFİL PROFILE	KESİM ÖLÇÜSÜ CUTTING SIZE
	05.07.01.50R	R50 T 01	L=20,7 mm
	05.07.02.50R	R50 T 02 R50 T 13	L=41,9 mm
	05.07.03.50R	R50 T 03	L=51,9 mm
	05.07.04.50R	R50 T 04 R50 T 18	L=77,8 mm
	05.07.05.50R	R50 T 05	L=97,8 mm
	05.07.06.50R	R50 T 06	L=115,8 mm
	05.07.07.50R	R50 T 15	L=66,6 mm
	05.07.08.50R	R50 T 16	L=97,6 mm
	05.07.09.50R	R50 T 17	L=137,8 mm
	05.07.10.50R	R50 T 14	L=117,7 mm

21

22

23

24

25

26

27

28

29

30



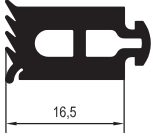
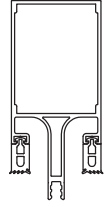
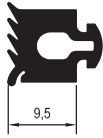
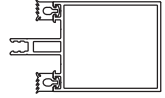
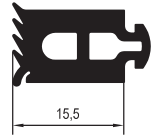
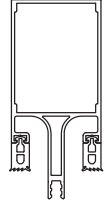
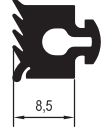
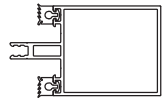
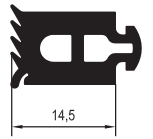
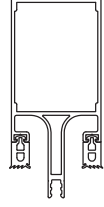

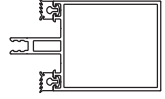
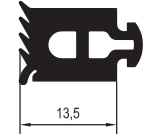
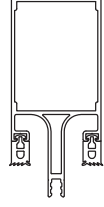

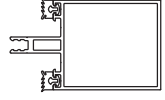
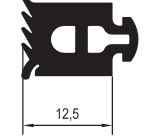
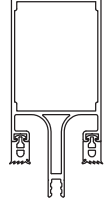

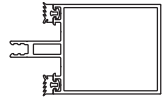
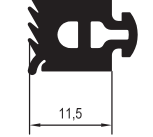
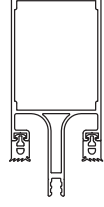
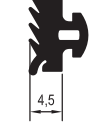
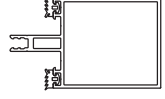

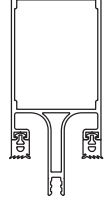

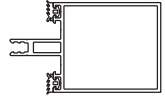
## KÖŞE TAKOZLARI (CORNER CLEATS)

PROFİL KODU (PROFILE CODE)	25 L 15	25 L 35	25 L 38	25 L 50
FABRİKA KODU (FACTORY CODE)	2060	10076	2074	10838
AĞIRLIK (WEIGHT)	5,163 kg/m	4,192 kg/m	4,854 kg/m	1,748 kg/m
ÇİZİM (DRAWING)				

PROFİL KODU (PROFILE CODE)	25 L 61	25 L 62		
FABRİKA KODU (FACTORY CODE)	1034	2442		
AĞIRLIK (WEIGHT)	3,757 kg/m	4,249 kg/m		
ÇİZİM (DRAWING)				

Nr			KESİM ÖLÇÜSÜ CUTTING SIZE	AKS. KODU ACS. CODE
R50 V 22	11088	25 L 15 (2060)	45,9 mm	204 L 15
		25 L 61 (1034)	5,9 mm	128 L 61
R50 V 26	11278	25 L 38 (2074)	27,0 mm	157 L 38
		25 L 35 (10076)	13,8 mm	239 L 35
R50 V 27	11283	25 L 38 (2074)	27,0 mm	157 L 38
		10032	25 L 35 (10076)	7,8 mm
R50 V 28	11366	25 L 38 (2074)	27,0 mm	157 L 38
		25 L 61 (1034)	5,9 mm	128 L 61
R50 V 30	11283	25 L 38 (2074)	27,0 mm	157 L 38
		10032	25 L 35 (10076)	7,8 mm
R50 H 06	10932	25 L 50 (10838)	47,2 mm	196 L 50
		25 L 62 (2442)	5,7 mm	129 L 62
R50 H 07	10933	25 L 50 (10838)	58,2 mm	206 L 50
		25 L 62 (2442)	5,7 mm	129 L 62
R50 H 09	10049	25 L 50 (10838)	22,2 mm	190 L 50
R50 H 11	10049	25 L 50 (10838)	22,2 mm	190 L 50
R50 H 12	11087	25 L 50 (10838)	66,2 mm	220 L 50
		25 L 62 (2442)	5,7 mm	129 L 62



	<b>01.02.01.50R</b> CAM FITİLİ GLAZING GASKET EPDM 200 gr/m			<b>01.03.01.50R</b> CAM FITİLİ GLAZING GASKET EPDM 120 gr/m	
	<b>01.02.02.50R</b> CAM FITİLİ GLAZING GASKET EPDM 165 gr/m			<b>01.03.02.50R</b> CAM FITİLİ GLAZING GASKET EPDM 113 gr/m	
	<b>01.02.03.50R</b> CAM FITİLİ GLAZING GASKET EPDM 167 gr/m			<b>01.03.03.50R</b> CAM FITİLİ GLAZING GASKET EPDM 100 gr/m	
	<b>01.02.04.50R</b> CAM FITİLİ GLAZING GASKET EPDM 150 gr/m			<b>01.03.04.50R</b> CAM FITİLİ GLAZING GASKET EPDM 86 gr/m	
	<b>01.02.05.50R</b> CAM FITİLİ GLAZING GASKET EPDM 140 gr/m			<b>01.03.05.50R</b> CAM FITİLİ GLAZING GASKET EPDM 74 gr/m	
	<b>01.02.06.50R</b> CAM FITİLİ GLAZING GASKET EPDM 140 gr/m			<b>01.03.06.50R</b> CAM FITİLİ GLAZING GASKET EPDM 65 gr/m	
	<b>01.02.07.50R</b> CAM FITİLİ GLAZING GASKET EPDM 125 gr/m			<b>01.03.07.50R</b> CAM FITİLİ GLAZING GASKET EPDM 60 gr/m	

21

22

23

24

25

26

27

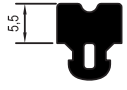
28

29

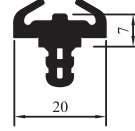
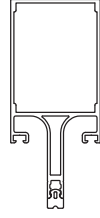
30



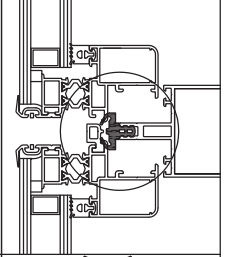
21



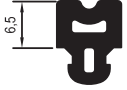
01.05.01.50R

ORTA BASKI FİTİLİ  
CENTRAL GASKET  
EPDM  
80 gr/m

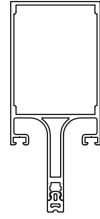
01.07.01.50R

ORTA BASKI FİTİLİ  
CENTRAL GASKET  
EPDM  
200 gr/m

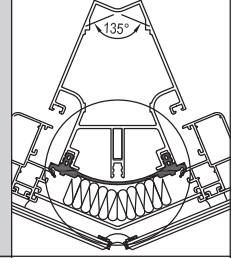
22



01.05.02.50R

ORTA BASKI FİTİLİ  
CENTRAL GASKET  
EPDM  
100 gr/m

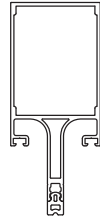
01.07.03.50R

ORTA BASKI FİTİLİ (135°)  
CENTRAL GASKET (135°)  
EPDM  
560 gr/m

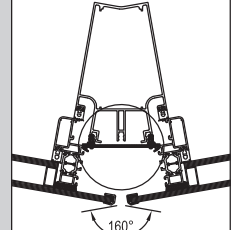
23



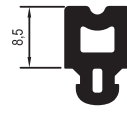
01.05.03.50R

ORTA BASKI FİTİLİ  
CENTRAL GASKET  
EPDM  
110 gr/m

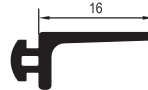
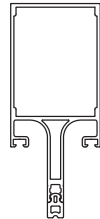
01.07.05.50R

ORTA BASKI FİTİLİ (160°)  
CENTRAL GASKET (160°)  
EPDM  
652 gr/m

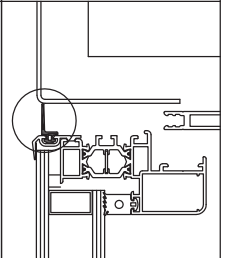
24



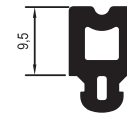
01.05.04.50R

ORTA BASKI FİTİLİ  
CENTRAL GASKET  
EPDM  
111 gr/m

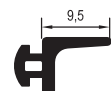
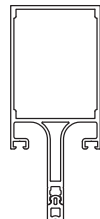
01.08.01.50R

TIRNAK FİTİLİ  
SEALING JOINT GASKET  
EPDM  
60 gr/m

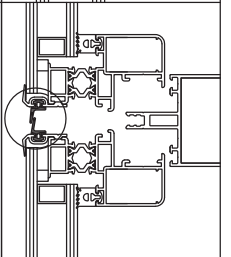
25



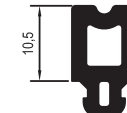
01.05.05.50R

ORTA BASKI FİTİLİ  
CENTRAL GASKET  
EPDM  
110 gr/m

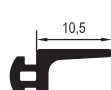
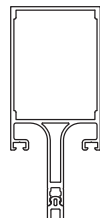
01.08.03.50R

TIRNAK FİTİLİ  
SEALING JOINT GASKET  
EPDM  
55 gr/m

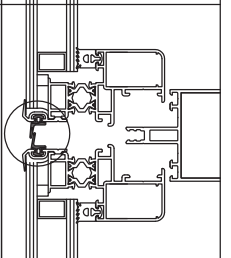
26



01.05.06.50R

ORTA BASKI FİTİLİ  
CENTRAL GASKET  
EPDM  
116 gr/m

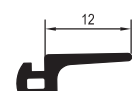
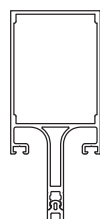
01.08.07.50R

TIRNAK FİTİLİ  
SEALING JOINT GASKET  
EPDM  
50 gr/m

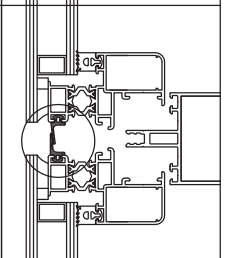
27



01.05.08.50R

ORTA BASKI FİTİLİ  
CENTRAL GASKET  
EPDM  
143 gr/m

01.08.12

TIRNAK FİTİLİ  
SEALING JOINT GASKET  
EPDM  
49 gr/m

28

29

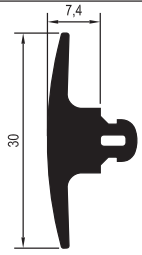
30



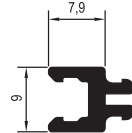
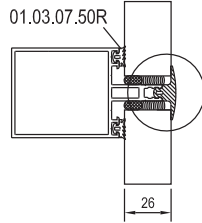
	<p><b>01.09.04.50R</b> DIŞ CAM FİTİLİ (135°) GLAZING GASKET (135°) EPDM 417 gr/m</p>			<p><b>01.12.14.50R</b> GİZLİ KANAT KASA FİTİLİ SEAL GASKET EPDM 350 gr/m</p>		21
	<p><b>01.10.01.50R</b> DİLATASYON FİTİLİ EXPANSION GASKET EPDM 200 gr/m</p>			<p><b>01.12.20.50R</b> GİZLİ KANAT KASA FİTİLİ SEAL GASKET EPDM 212 gr/m</p>		22
	<p><b>01.11.01.50R</b> DIŞ CAM FİTİLİ GLAZING GASKET EPDM 65 gr/m</p>			<p><b>01.14.01.50R</b> BİTİŞ FİTİLİ FINISH GASKET EPDM 30 gr/m</p>		23
	<p><b>01.11.05.50R</b> DIŞ CAM FİTİLİ GLAZING GASKET EPDM 250 gr/m</p>			<p><b>01.19.29</b> KASET BİNİ FİTİLİ SEAL GASKET EPDM 70 gr/m</p>		24
	<p><b>01.11.06.50R</b> DIŞ CAM FİTİLİ GLAZING GASKET EPDM 240 gr/m</p>			<p><b>01.19.42</b> KASET BİNİ FİTİLİ SEAL GASKET EPDM 77 gr/m</p>		25
	<p><b>01.12.02.50R</b> GİZLİ KANAT FİTİLİ SEAL GASKET EPDM 40 gr/m</p>			<p><b>01.21.01.50R</b> BASMA FİTİLİ PRESSURE GASKET EPDM 170 gr/m</p>		26
	<p><b>01.12.02.50R</b> GİZLİ KANAT FİTİLİ SEAL GASKET EPDM 90 gr/m</p>			<p><b>01.21.02.50R</b> BASMA FİTİLİ PRESSURE GASKET EPDM 170 gr/m</p>		27
	<p><b>01.12.02.50R</b> GİZLİ KANAT FİTİLİ SEAL GASKET EPDM 90 gr/m</p>			<p><b>01.21.01.50R</b> BASMA FİTİLİ PRESSURE GASKET EPDM 170 gr/m</p>		28
	<p><b>01.12.02.50R</b> GİZLİ KANAT FİTİLİ SEAL GASKET EPDM 90 gr/m</p>			<p><b>01.21.02.50R</b> BASMA FİTİLİ PRESSURE GASKET EPDM 170 gr/m</p>		29
	<p><b>01.12.02.50R</b> GİZLİ KANAT FİTİLİ SEAL GASKET EPDM 90 gr/m</p>			<p><b>01.21.02.50R</b> BASMA FİTİLİ PRESSURE GASKET EPDM 170 gr/m</p>		30



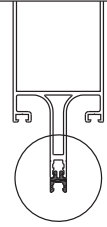
21



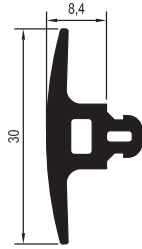
**01.21.03.50R**  
BASMA FİTİLİ  
PRESSURE GASKET  
EPDM  
200 gr/m



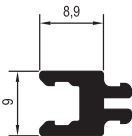
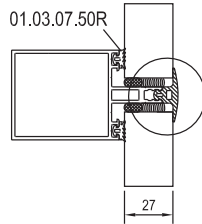
**02.01.01.50R**  
PVC PROFİL  
PVC PROFILE



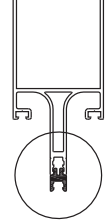
22



**01.21.04.50R**  
BASMA FİTİLİ  
PRESSURE GASKET  
EPDM  
165 gr/m



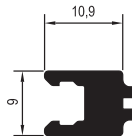
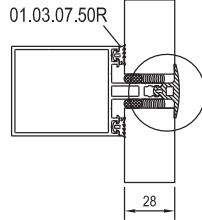
**02.01.02.50R**  
PVC PROFİL  
PVC PROFILE



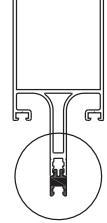
23



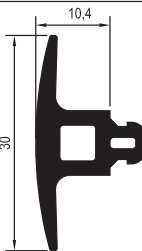
**01.21.05.50R**  
BASMA FİTİLİ  
PRESSURE GASKET  
EPDM  
176 gr/m



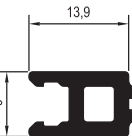
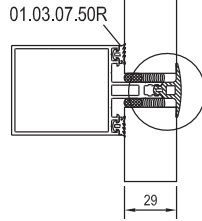
**02.01.04.50R**  
PVC PROFİL  
PVC PROFILE



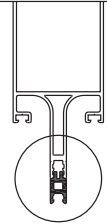
24



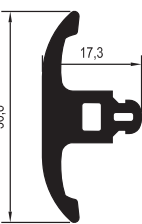
**01.21.06.50R**  
BASMA FİTİLİ  
PRESSURE GASKET  
EPDM  
176 gr/m



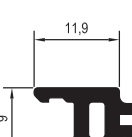
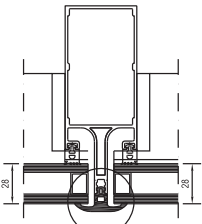
**02.01.05.50R**  
PVC PROFİL  
PVC PROFILE



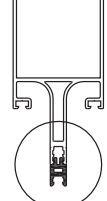
25



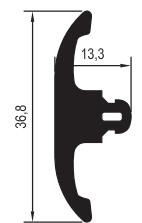
**01.21.07.50R**  
BASMA FİTİLİ  
PRESSURE GASKET  
EPDM  
240 gr/m



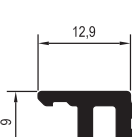
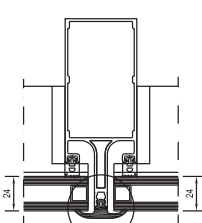
**02.01.07.50R**  
PVC PROFİL  
PVC PROFILE



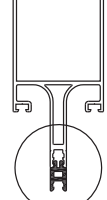
27



**01.21.08.50R**  
BASMA FİTİLİ  
PRESSURE GASKET  
EPDM  
227 gr/m



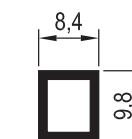
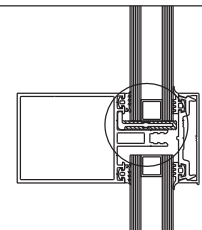
**02.01.08.50R**  
PVC PROFİL  
PVC PROFILE



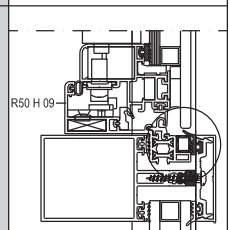
28



**01.22.01.50R**  
CAM TAKOZ FİTİLİ  
SUPPORT GASGET  
EPDM  
103 gr/m



**02.03.06**  
PVC PROFİL  
PVC PROFILE



29

30





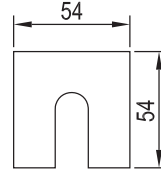
	<p><b>02.03.10</b> PVC PROFİL PVC PROFILE</p>			<p><b>04.10.17</b> PVC KAPAK PVC CAP R50 P 06 İÇİN FOR R50 P 06</p>	
	<p><b>02.03.11</b> PVC PROFİL PVC PROFILE</p>			<p><b>04.10.21</b> PVC KAPAK PVC CAP R50 P 32 İÇİN FOR R50 P 32</p>	
	<p><b>03.01.01.50R</b> SU TAHLİYE PARÇASI WATER DISCHARGE PART</p>			<p><b>04.15.03</b> KASET SEVİYE TAKOZU VENT SUPPORT PART PVC</p>	
	<p><b>03.07.01.50R</b> (+) FİTİL (+) GASKET EPDM 01.07.01.50R - 01.07.01.50R</p>			<p><b>04.15.04</b> KASET SEVİYE TAKOZU VENT SUPPORT PART PVC</p>	
	<p><b>03.07.02.50R</b> (L) FİTİL (L) GASKET EPDM 01.07.01.50R - 01.07.01.50R</p>			<p><b>07.05.23</b> KOL HANDLE SİYAH - GRİ BLACK - GREY</p>	
	<p><b>03.07.03.50R</b> (T) FİTİL (T) GASKET EPDM 01.07.01.50R - 01.07.01.50R</p>			<p><b>07.09.05</b> PİM KARŞILIĞI LOCK PLATE</p>	
	<p><b>03.07.04.50R</b> (L) FİTİL (L) GASKET EPDM 01.12.03.50R - 01.12.03.50R</p>			<p><b>07.13.05</b> PİM PIN</p>	



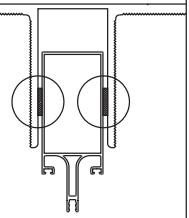
21

**07.03.01.50R**

DIŐA AÇILIM MAKAS  
TOP-HUNG WINDOW  
A= 262 mm Hmax= 640 mm  
40 Kg 50°

**04.09.01.50R**

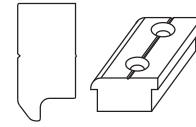
SABİT ANKRAJ İÇİ PLASTİĐİ  
PVC FOR ANCHORAGE  
PVC



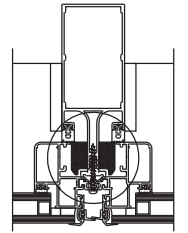
22

**07.03.02.50R**

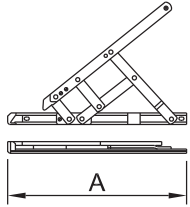
DIŐA AÇILIM MAKAS  
TOP-HUNG WINDOW  
A= 317 mm Hmax= 800 mm  
60 Kg 30°-35°

**11.01.01.50R**

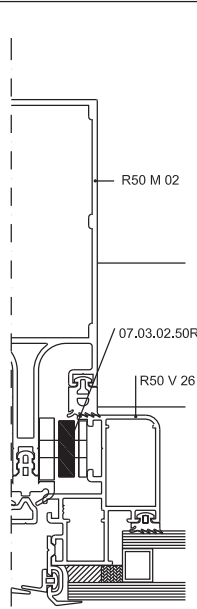
KASET YAN TAKOZLARI  
VENT SUPPORT PART  
PVC



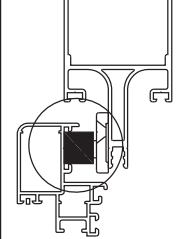
23

**07.03.03.50R**

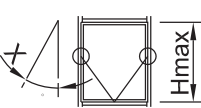
DIŐA AÇILIM MAKAS  
TOP-HUNG WINDOW  
A= 352 mm Hmax= 1000 mm  
69,5 Kg 30°-35°

**11.01.02**

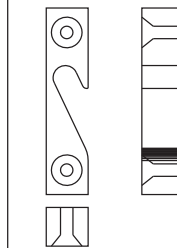
KASET SABİTLEME PARÇASI  
VENT FIXING PART  
SOL  
LEFT



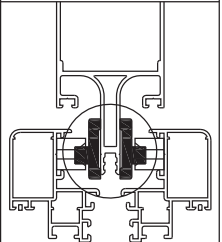
24

**07.03.04.50R**

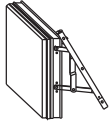
DIŐA AÇILIM MAKAS  
TOP-HUNG WINDOW  
A= 457 mm Hmax= 1400 mm  
102 Kg 25°-30°

**11.01.03**

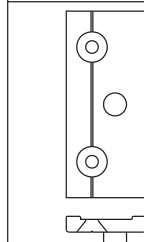
KASET BAĐLANTI PARÇASI  
VENT CONNECTION PART



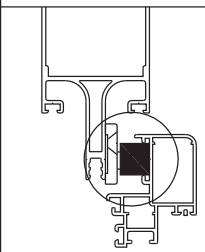
25

**07.03.05.50R**

DIŐA AÇILIM MAKAS  
TOP-HUNG WINDOW  
A= 680 mm Hmax= 2500 mm  
180 Kg 20°

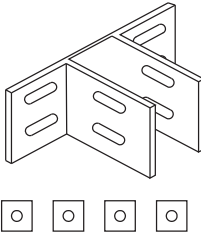
**11.01.04**

KASET SABİTLEME PARÇASI  
VENT FIXING PART  
SAĐ  
RIGHT

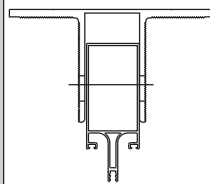


27

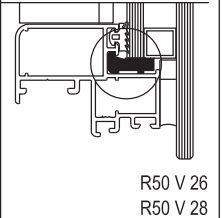
28

**08.01.01.50R**

SABİT ANKRAJ + PUL  
FIX ANCHORAGE + ROVE

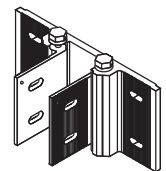
**11.02.14**

CAM TAKOZU  
GLASS SUPPORT  
PVC

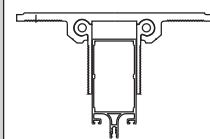


R50 V 26  
R50 V 28

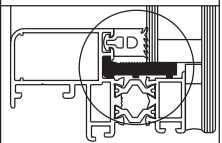
29

**08.01.02.50R**

HAREKETLİ ANKRAJ + PUL  
MOVE. ANCHORAGE + ROVE

**11.02.15**

CAM TAKOZU  
GLASS SUPPORT  
PVC



R50 V 27  
R50 V 30

30



	<b>03.05.01.50R</b> KÖŞE FİTİLİ (SOL) CORNER GASKET (LEFT) EPDM 01.02.01.50R - 01.03.01.50R			<b>03.06.01.50R</b> KÖŞE FİTİLİ (SAĞ) CORNER GASKET (RIGHT) EPDM 01.02.01.50R - 01.03.01.50R	
	<b>03.05.02.50R</b> KÖŞE FİTİLİ (SOL) CORNER GASKET (LEFT) EPDM 01.02.02.50R - 01.03.02.50R			<b>03.06.02.50R</b> KÖŞE FİTİLİ (SAĞ) CORNER GASKET (RIGHT) EPDM 01.02.02.50R - 01.03.02.50R	
	<b>03.05.03.50R</b> KÖŞE FİTİLİ (SOL) CORNER GASKET (LEFT) EPDM 01.02.03.50R - 01.03.03.50R			<b>03.06.03.50R</b> KÖŞE FİTİLİ (SAĞ) CORNER GASKET (RIGHT) EPDM 01.02.03.50R - 01.03.03.50R	
	<b>03.05.04.50R</b> KÖŞE FİTİLİ (SOL) CORNER GASKET (LEFT) EPDM 01.02.04.50R - 01.03.04.50R			<b>03.06.04.50R</b> KÖŞE FİTİLİ (SAĞ) CORNER GASKET (RIGHT) EPDM 01.02.04.50R - 01.03.04.50R	
	<b>03.05.05.50R</b> KÖŞE FİTİLİ (SOL) CORNER GASKET (LEFT) EPDM 01.02.05.50R - 01.03.05.50R			<b>03.06.05.50R</b> KÖŞE FİTİLİ (SAĞ) CORNER GASKET (RIGHT) EPDM 01.02.05.50R - 01.03.05.50R	
	<b>03.05.06.50R</b> KÖŞE FİTİLİ (SOL) CORNER GASKET (LEFT) EPDM 01.02.06.50R - 01.03.06.50R			<b>03.06.06.50R</b> KÖŞE FİTİLİ (SAĞ) CORNER GASKET (RIGHT) EPDM 01.02.06.50R - 01.03.06.50R	
	<b>03.05.07.50R</b> KÖŞE FİTİLİ (SOL) CORNER GASKET (LEFT) EPDM 01.02.07.50R - 01.03.07.50R			<b>03.06.07.50R</b> KÖŞE FİTİLİ (SAĞ) CORNER GASKET (RIGHT) EPDM 01.02.07.50R - 01.03.07.50R	

21

22

23

24

25

26

27

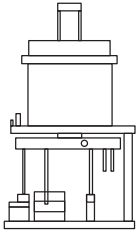
28

29

30



21

21.01.03  
PUNCH MAKİNASI  
PUNCH MACHINE

22

23

24

25

26

27

28

29

30

# RESCARA SİSTEM

## RESCARA SYSTEM

Aluminyum Kapı Pencere ve Giydirme Cephe Sistemleri  
Aluminium Window Doors and Facade Systems



21

22

23

24

25

26

27

28

29

30

# RESCARA SİSTEM

## RESCARA SYSTEM

Aluminyum Kapı Pencere ve Giydirme Cephe Sistemleri  
Aluminium Window Doors and Facade Systems

21



22

23

24

25

26

27

28

29

30