

MİMARİ KATALOG

ARCHITECTURAL CATALOGUE

Aluminyum Kapı Pencere ve Giydirme Cephe Sistemleri
Aluminium Window Doors and Facade Systems



Rescara Sistem
Profil Detayları

Rescara System
Profile Details



Rtc22

RESCARA SİSTEM

RESCARA SYSTEM

Aluminyum Kapı Pencere ve Giydirme Cephe Sistemleri
Aluminium Window Doors and Facade Systems

31



32

33

34

35

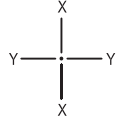
36

37

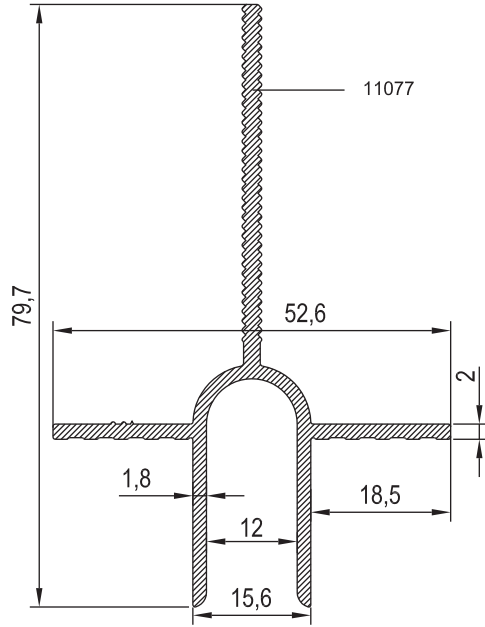
38



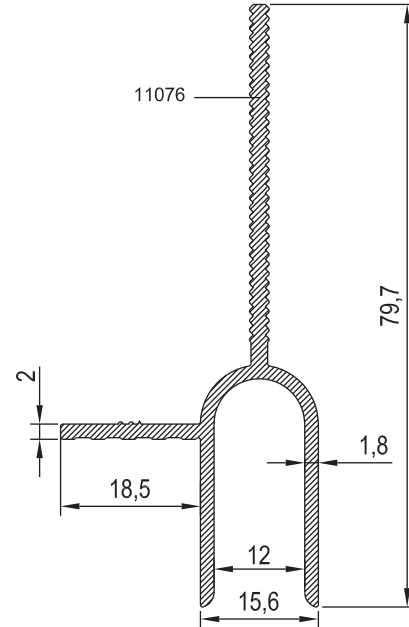
KOD / CODE	AĞIRLIK (kg/m) / WEIGHT	Jxx cm ⁴	Jyy cm ⁴	L m
TC22 M 01	0,813	12,260	2,771	6
TC22 M 02	0,718	11,938	1,507	6
TC22 M 05	0,663	9,328	2,495	6
TC22 M 06	0,216	0,406	0,304	6
TC22 M 07	0,278	0,503	0,338	6



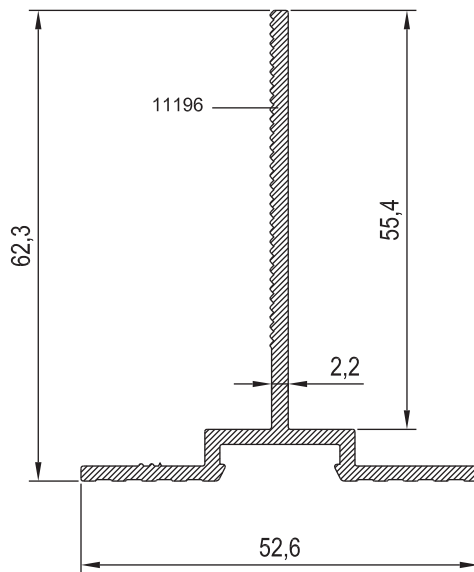
TC22 M 01



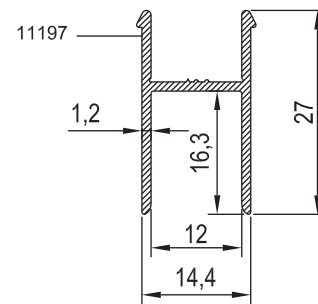
TC22 M 02



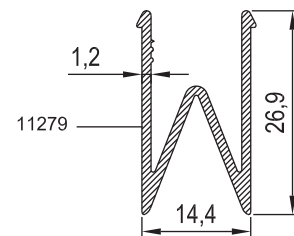
TC22 M 05



TC22 M 06

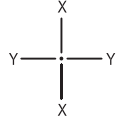


TC22 M 07





KOD / CODE	AĞIRLIK (kg/m) / WEIGHT	Jxx cm ⁴	Jyy cm ⁴	L m
TC22 M 03	1,225	44,280	6,512	6
TC22 M 04	0,409	1,650	1,006	6



31

32

33

34

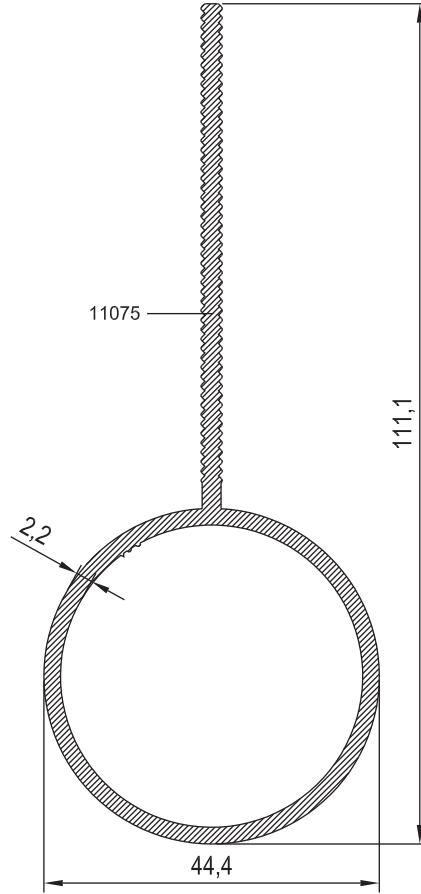
35

36

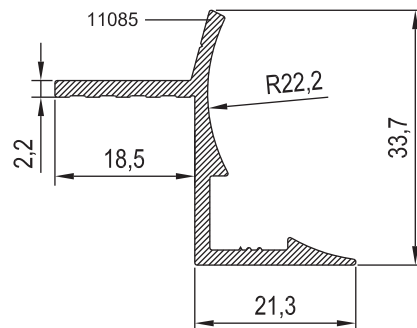
37

38

TC22 M 03

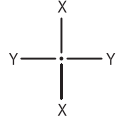


TC22 M 04

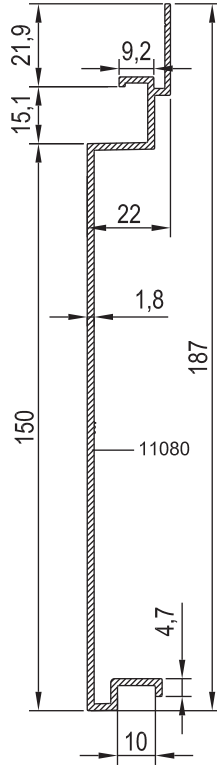




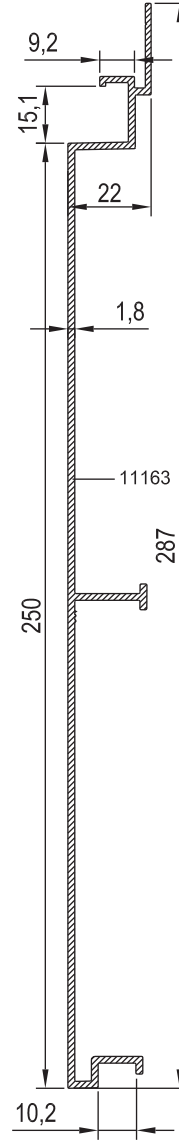
KOD / CODE	AĞIRLIK (kg/m) / WEIGHT	Jxx cm4	Jyy cm4	L m
TC22 T 01	1,175	2,406	153,600	6
TC22 T 02	1,662	3,196	507,850	6



TC22 T 01



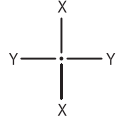
TC22 T 02



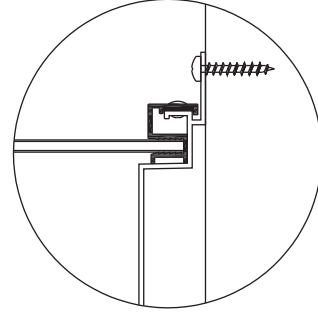
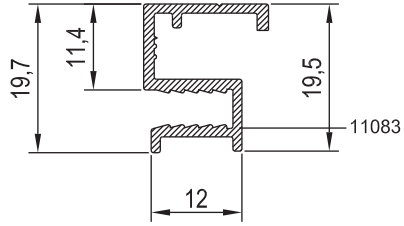
ÖLÇEK: 1/2
SCALE: 1/2



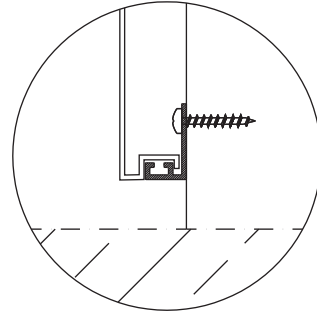
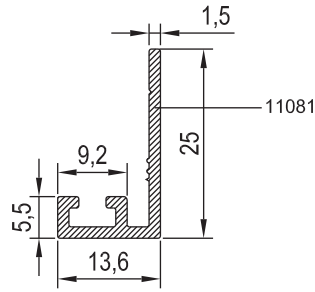
KOD / CODE	AĞIRLIK (kg/m) / WEIGHT	L m
TC22 A 01	0,231	6
TC22 A 02	0,194	6
TC22 A 03	0,339	6
TC22 A 04	0,200	6



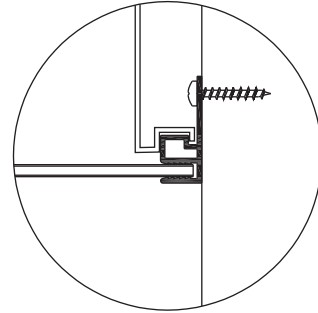
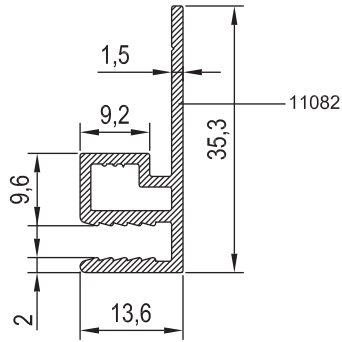
TC22 A 01



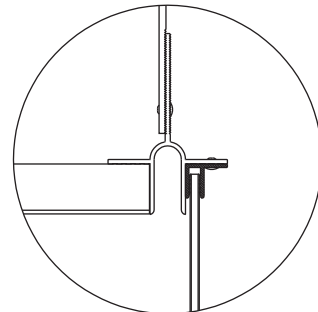
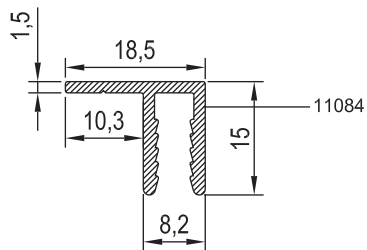
TC22 A 02



TC22 A 03

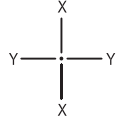


TC22 A 04

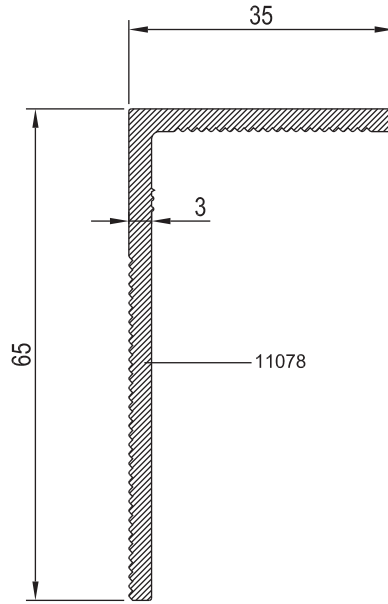




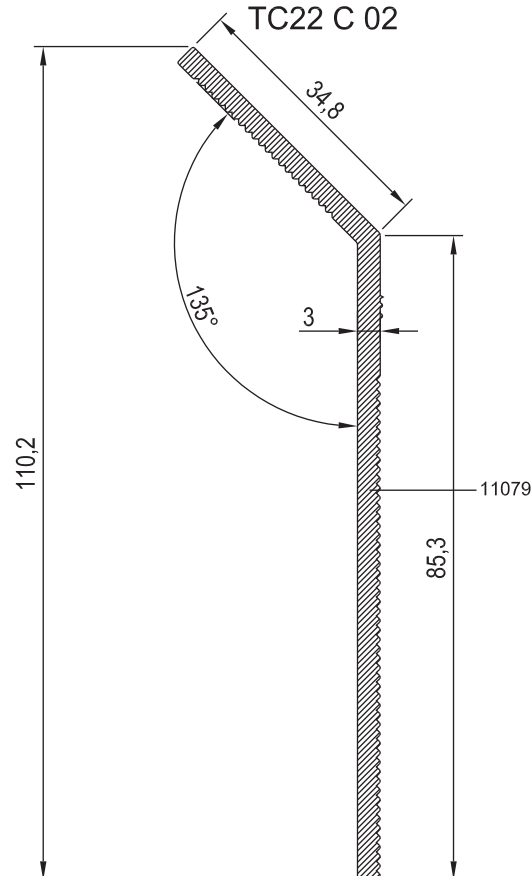
KOD / CODE	AĞIRLIK (kg/m) / WEIGHT	Jxx cm ⁴	Jyy cm ⁴	L m
TC22 C 01	0,750	12,327	2,651	6
TC22 C 02	0,919	35,515	1,511	6



TC22 C 01



TC22 C 02





31

32

33

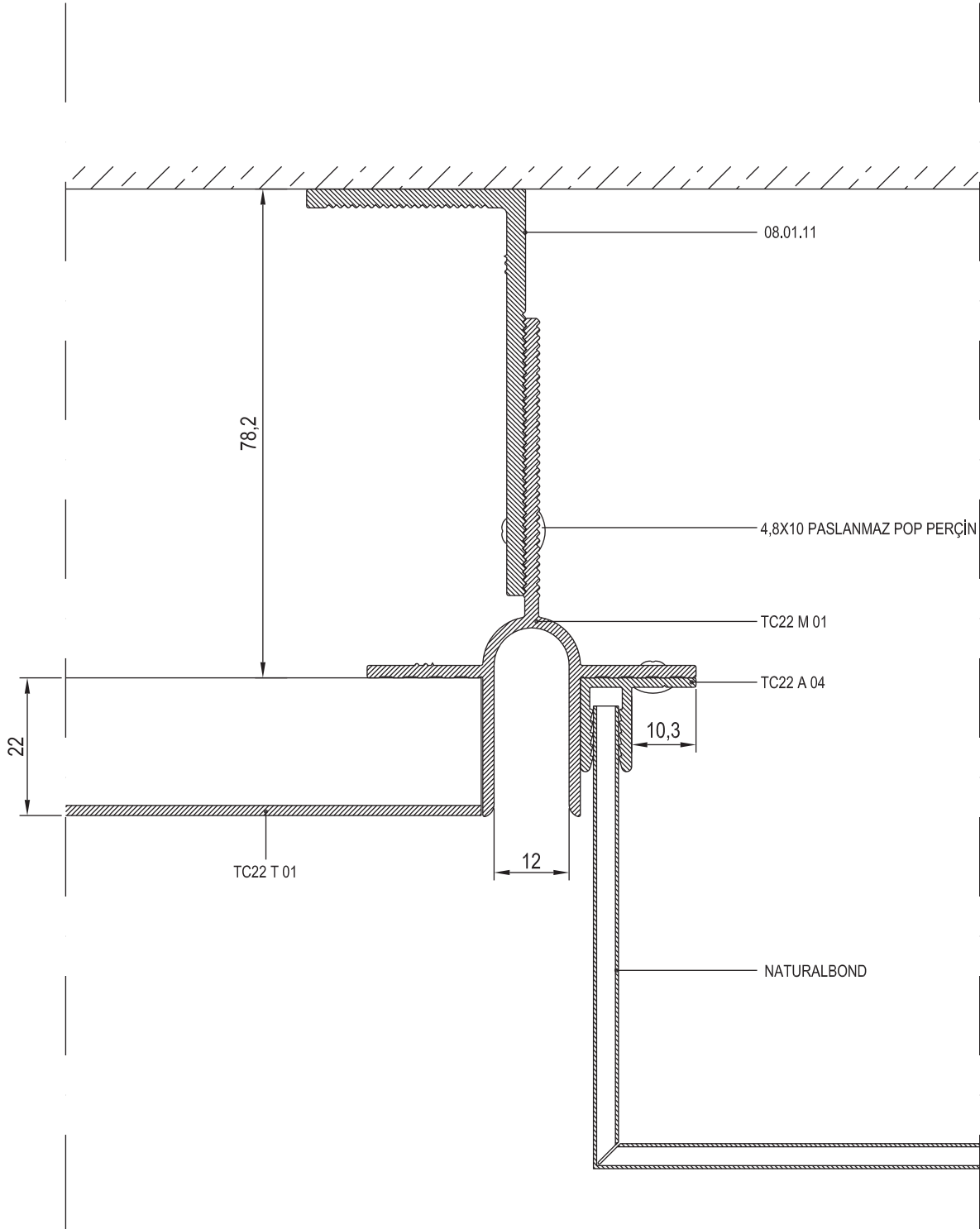
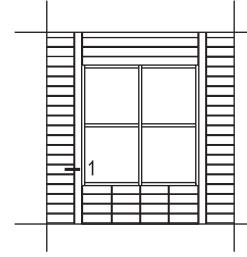
34

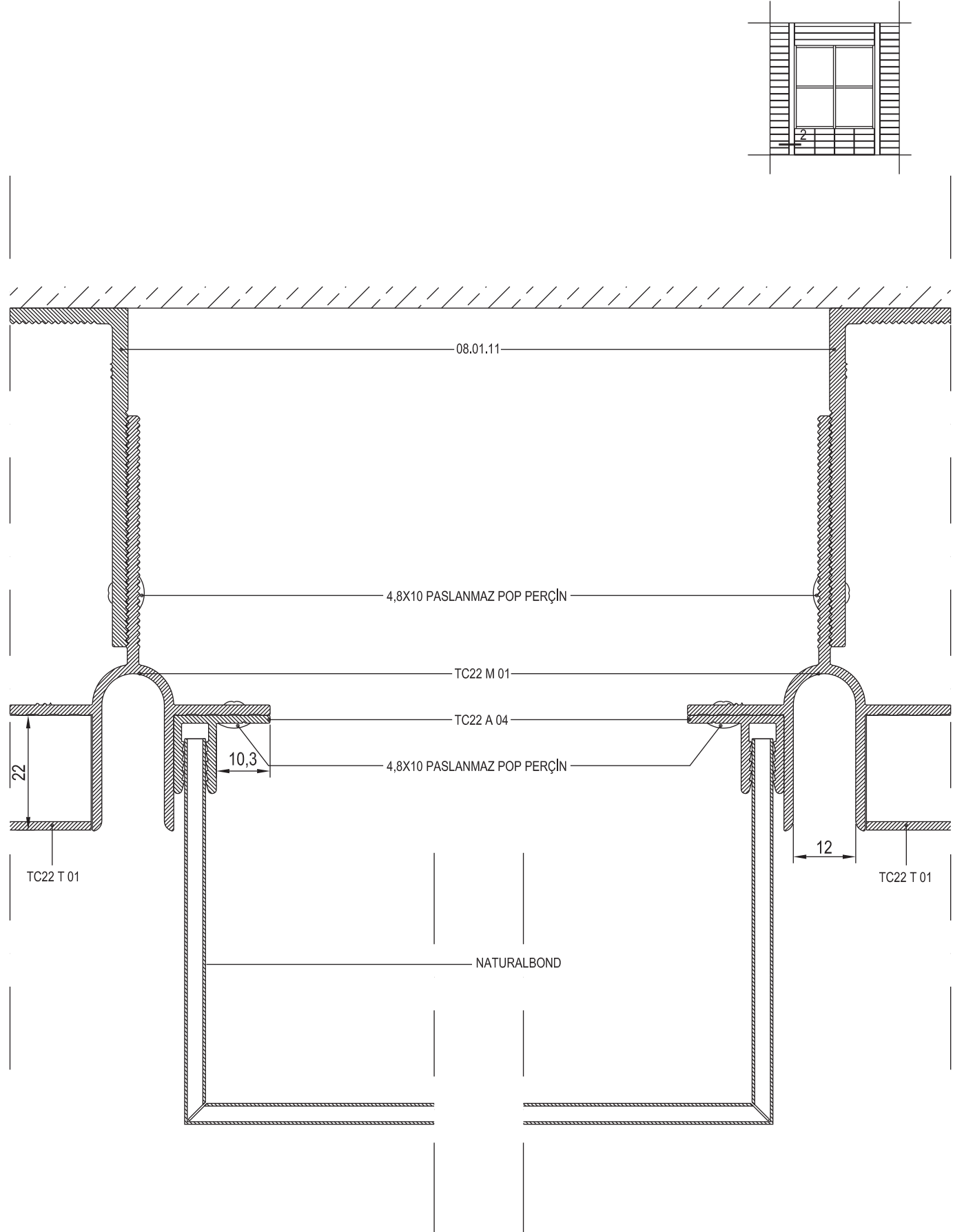
35

36

37

38





31

32

33

34

35

36

37

38



31

32

33

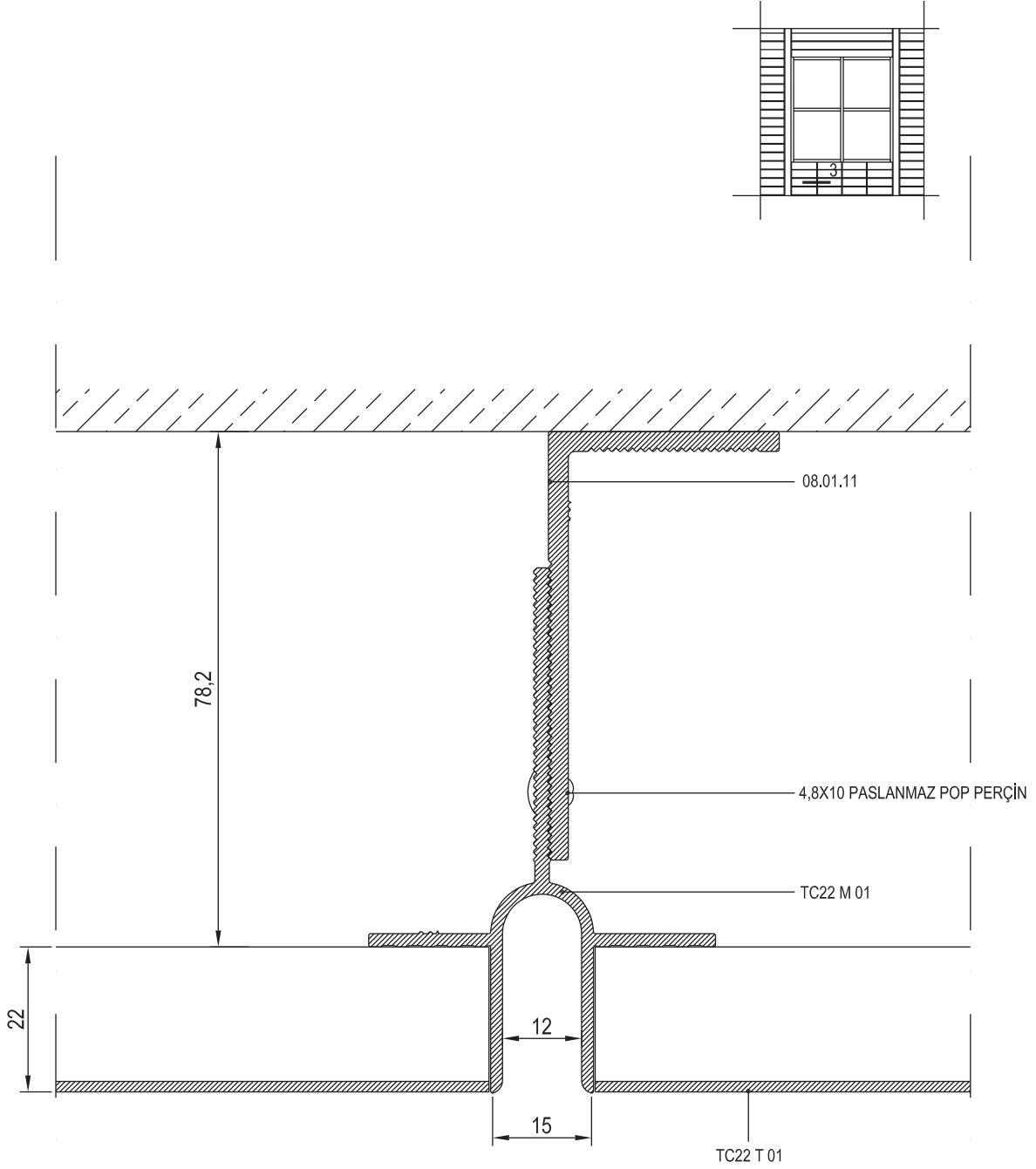
34

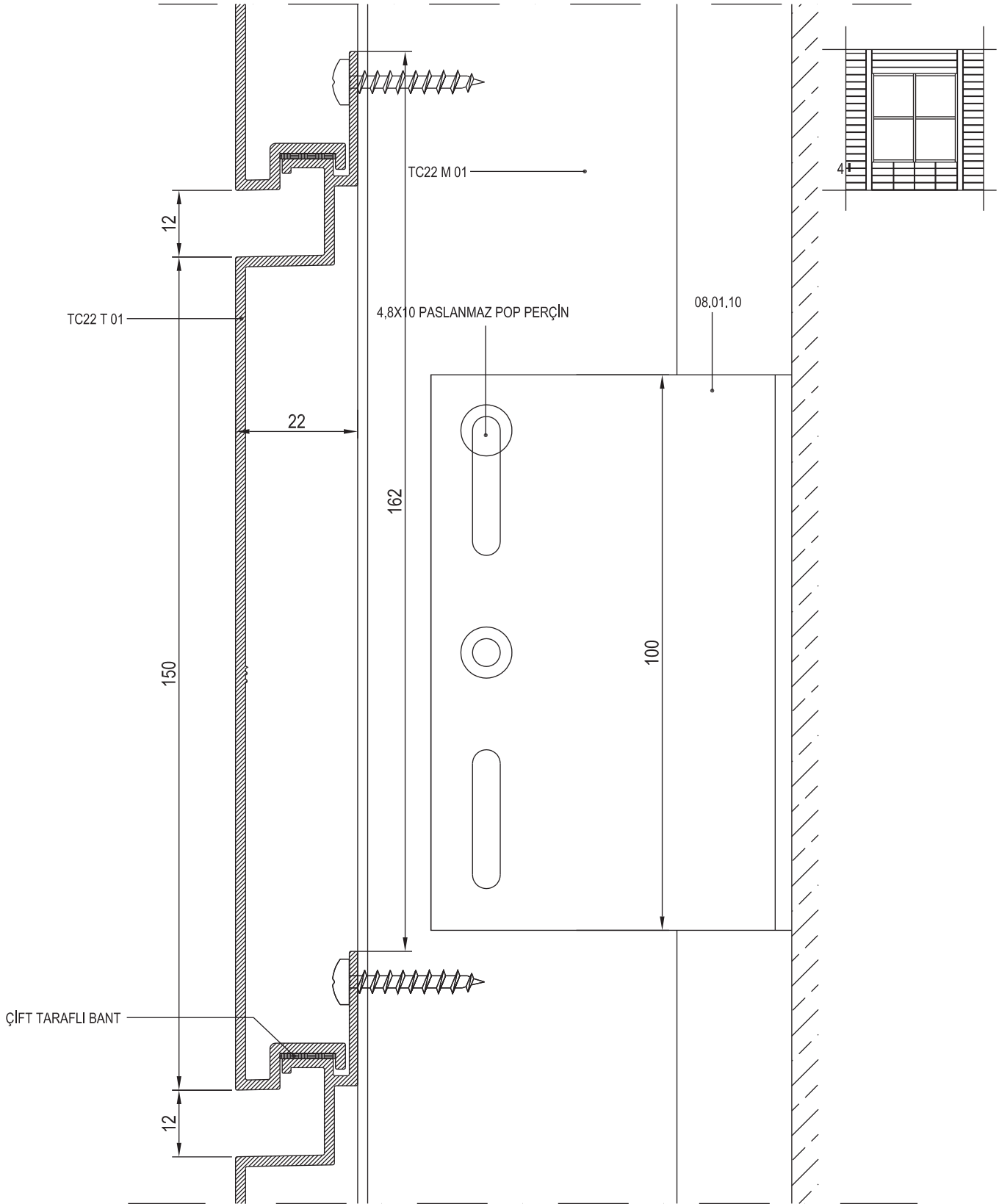
35

36

37

38





31

32

33

34

35

36

37

38



31

32

33

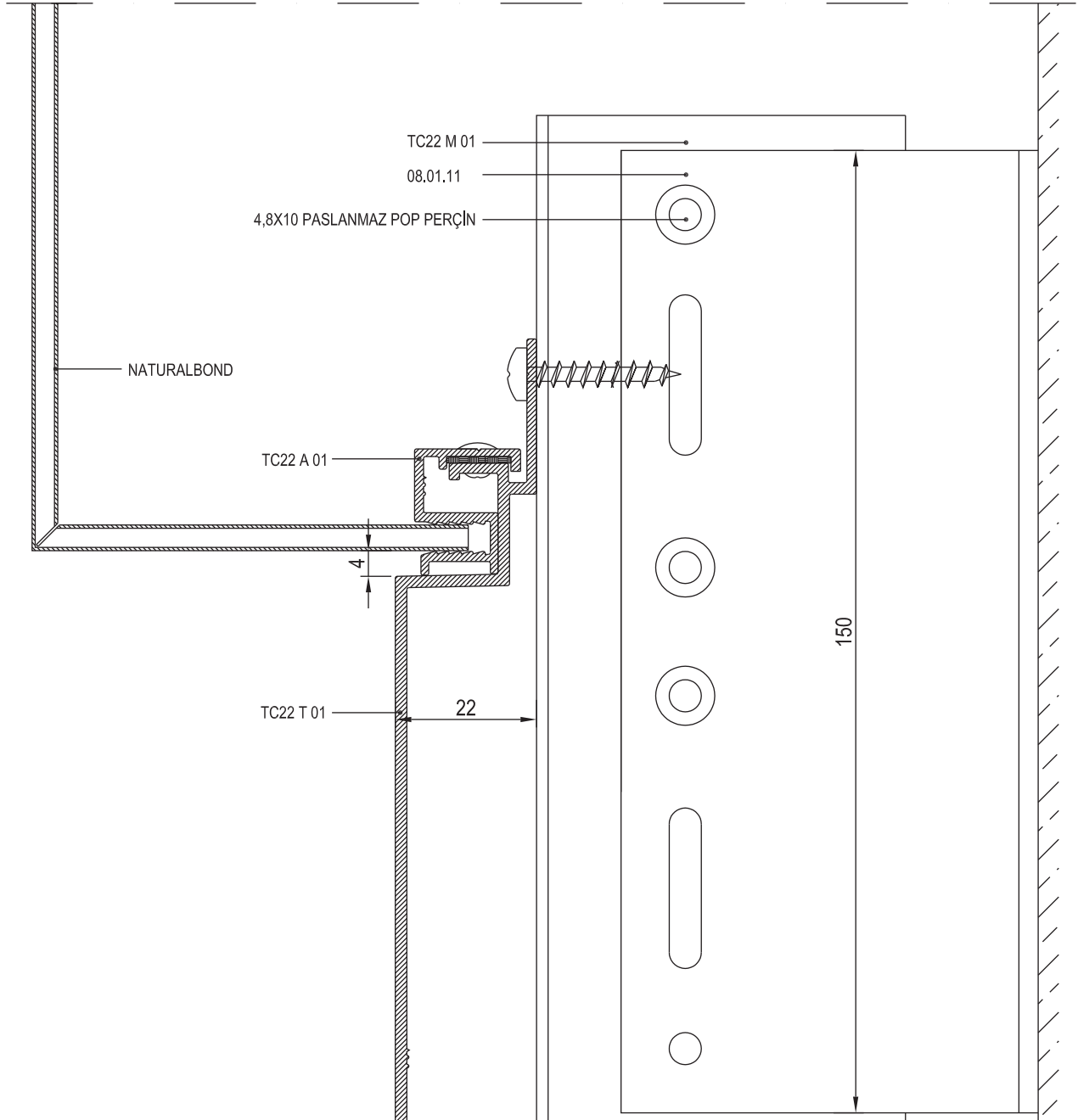
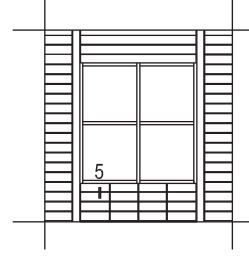
34

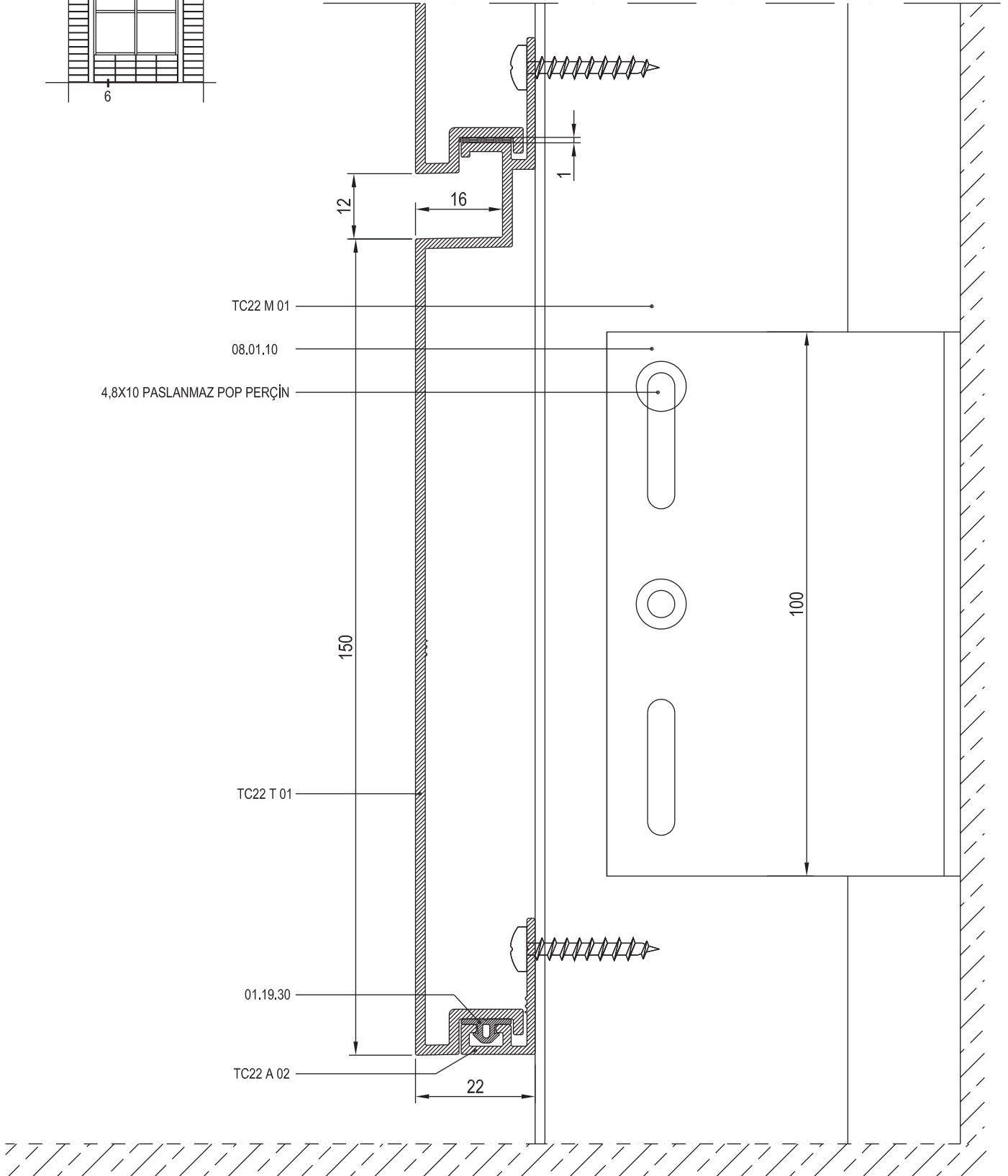
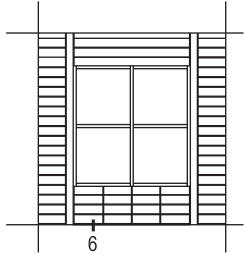
35

36

37

38





31

32

33

34

35

36

37

38



31

32

33

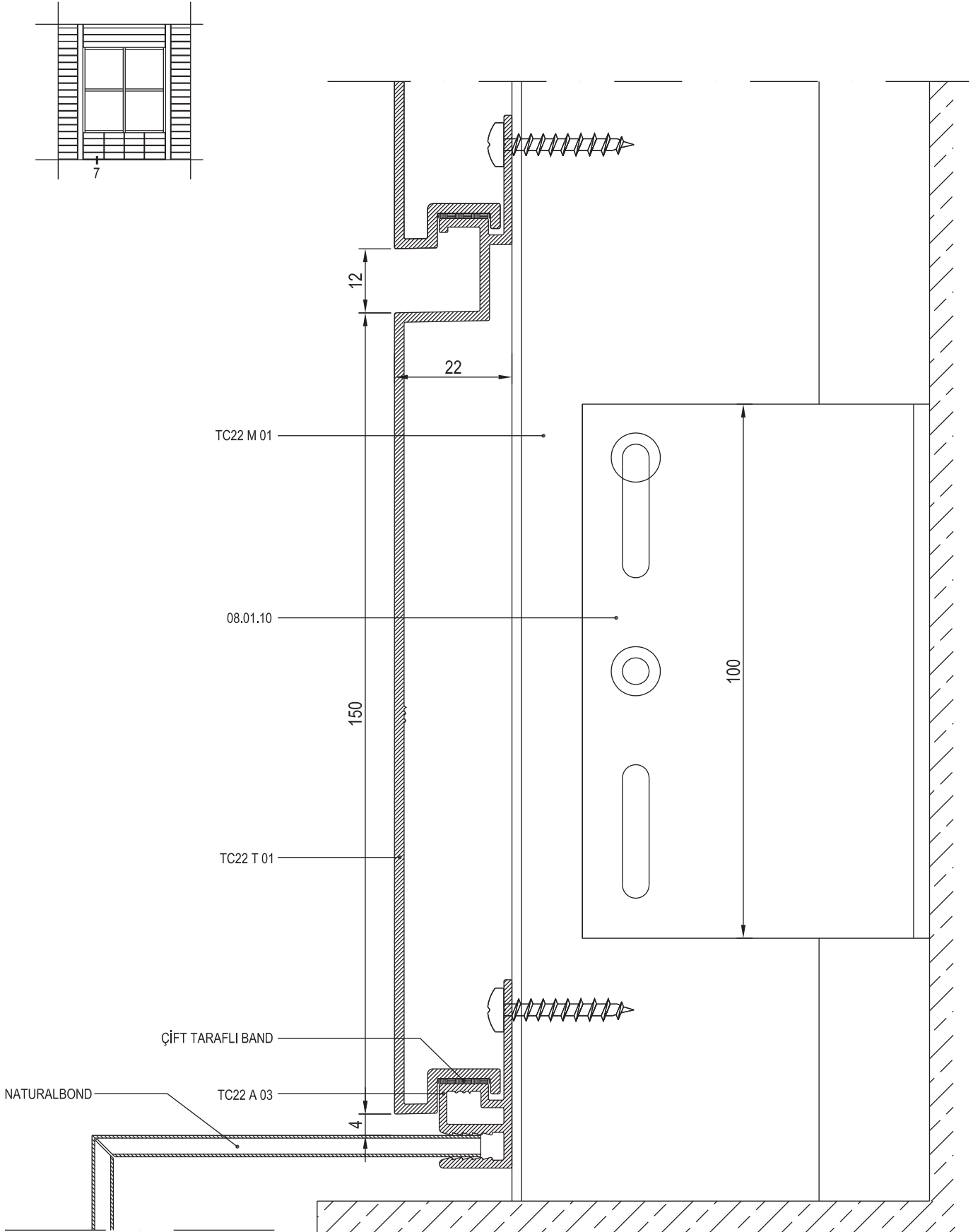
34

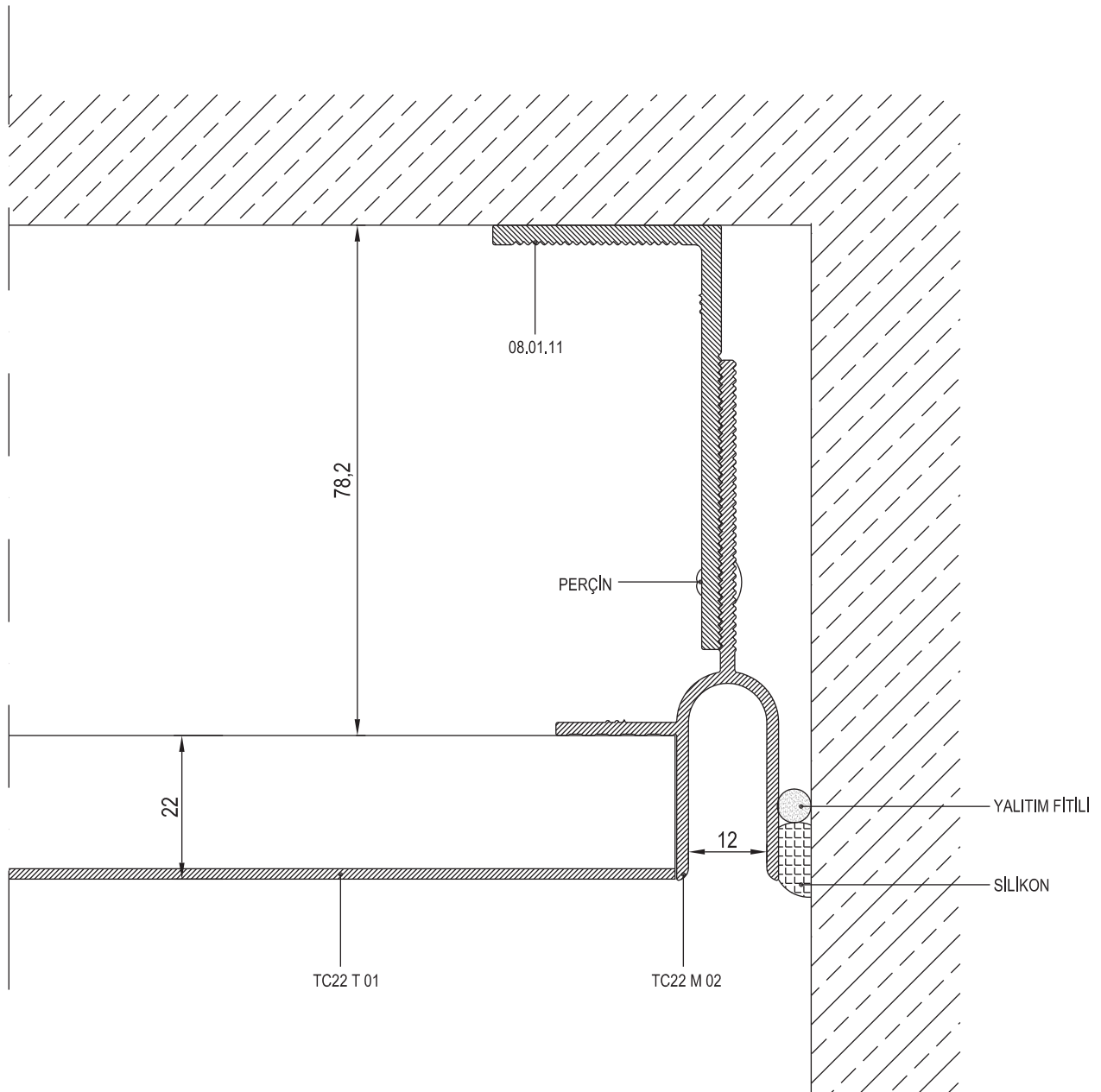
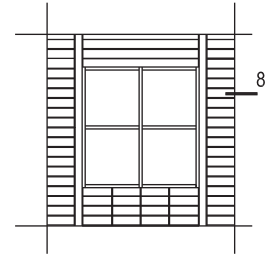
35

36

37

38





31

32

33

34

35

36

37

38



31

32

33

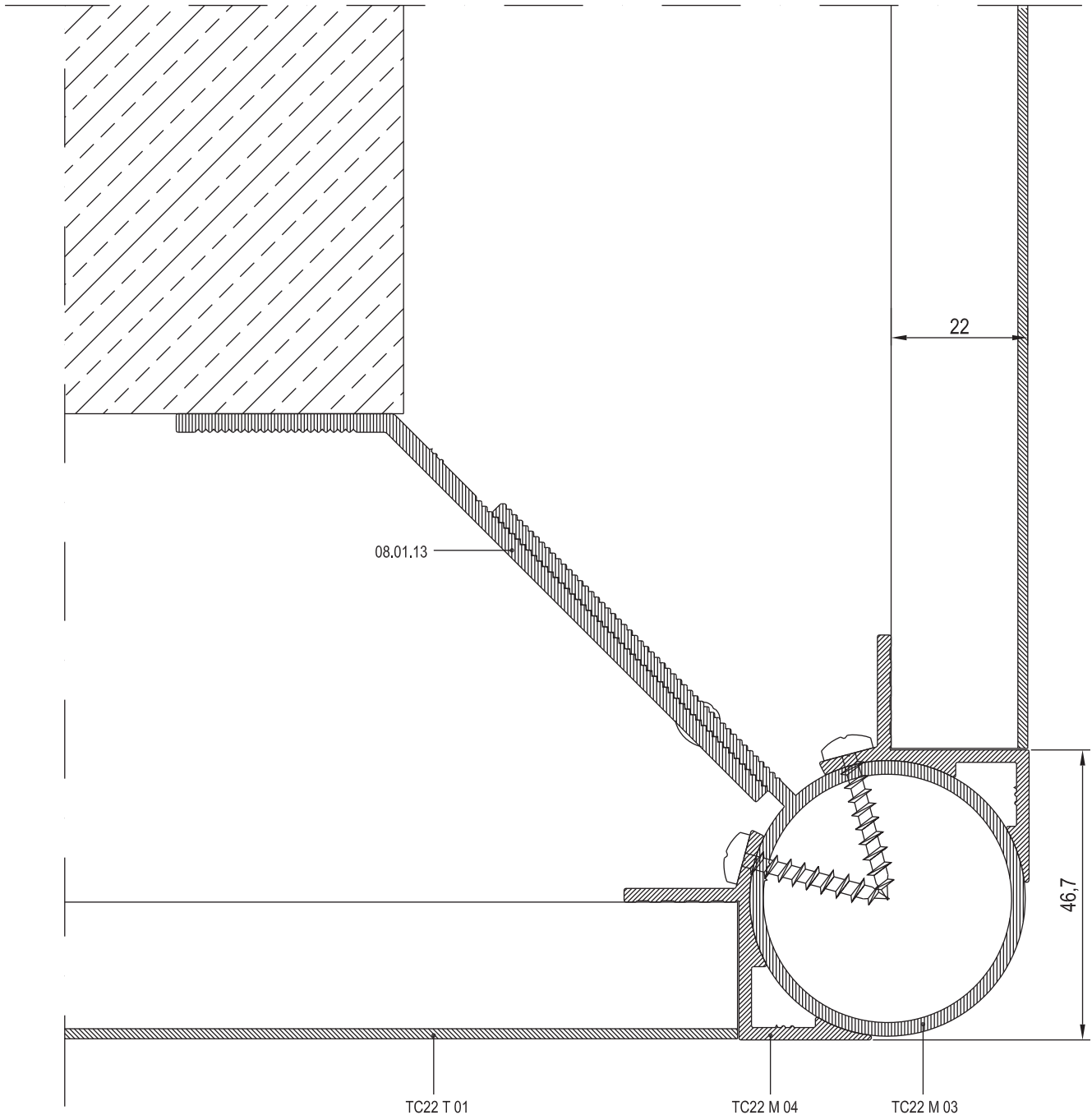
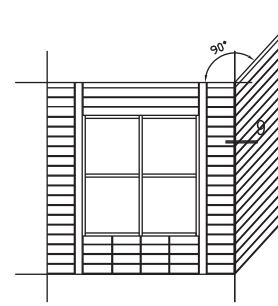
34

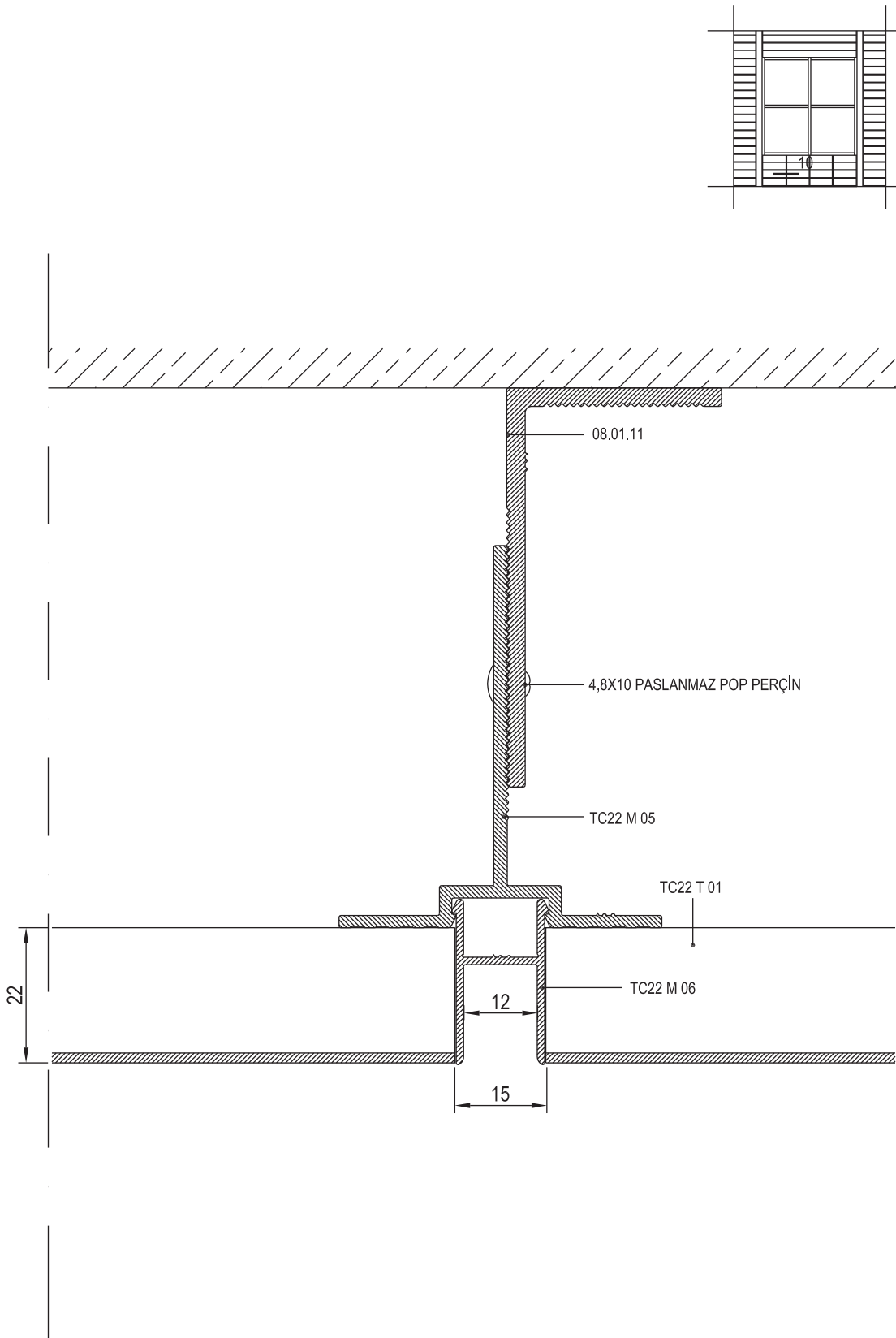
35

36

37

38





31

32

33

34

35

36

37

38



31



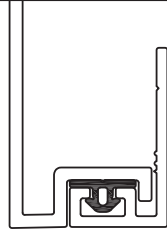
01.19.30

BİNİ FITİLİ

GASKET

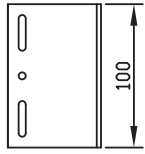
EPDM

23 gr/m



32

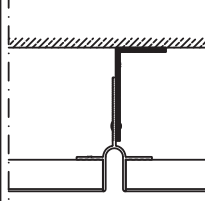
33



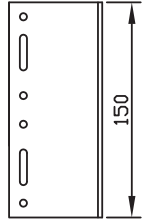
08.01.10

100'LÜK ANKRAJ

ANCHORAGE (100)



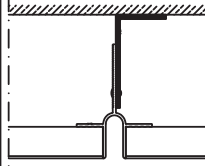
34



08.01.11

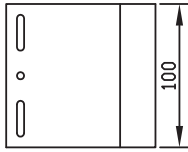
150'LİK ANKRAJ

ANCHORAGE (150)



35

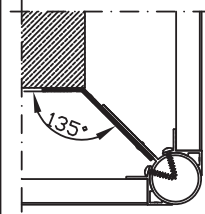
36



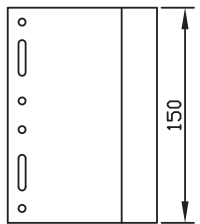
08.01.12

100'LÜK ANKRAJ

ANCHORAGE (100)



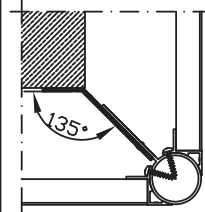
37



08.01.13

150'LİK ANKRAJ

ANCHORAGE (150)



38

RESCARA SİSTEM

RESCARA SYSTEM

Aluminyum Kapı Pencere ve Giydirme Cephe Sistemleri
Aluminium Window Doors and Facade Systems



31

32

33

34

35

36

37

38

RESCARA SİSTEM

RESCARA SYSTEM

Aluminyum Kapı Pencere ve Giydirme Cephe Sistemleri
Aluminium Window Doors and Facade Systems

31



32

33

34

35

36

37

38